

KINTEK®

POLYGONAL TOOLHOLDERS DIN ISO 26623-1
MANDRINI ATTACCO POLIGONALE



POLYGONAL TOOLHOLDERS 
DIN ISO 26623-1

MANDRINI 
ATTACCO POLIGONALE

WERKZEUGHALTER 
DIN ISO 26623-1

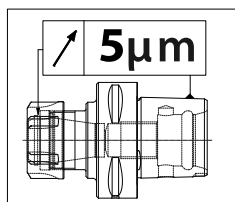
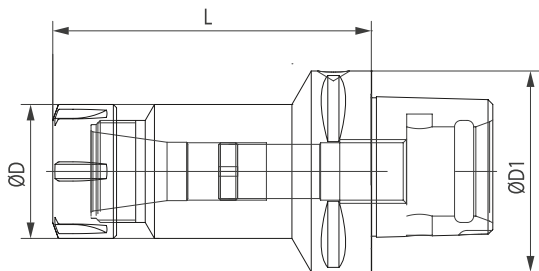
PORTE-OUTILS 
ATTACHEMENT POLYGNONALE

ОПРАВКИ С ПОЛИГОНАЛЬНЫМ 
ХВОСТОВИКОМ

多边形刀柄 DIN ISO 26623-1 

POLYGONAL ER COLLET CHUCK PORTAPINZE TIPO ER CON ATTACCO POLIGONALE
 SPANNZANGENFUTTER MIT POLYGONSCHAFT PORTE-PINCES AVEC ATTACHEMENT POLYAGONALE
 ЦАНГОВЫЕ ПАТРОНЫ С ПОЛИГОНАЛЬНЫМ ХВОСТОВИКОМ 多边形 ER 筒夹

DIN ISO 26623-1



CODE N.	ATTACCO SHANK	PER PINZA FOR COLLET	D1 mm	D mm	L mm	G6,3 8000
C40H70ER16	C40	ER16	40	32	70	•
C40H52ER25	C40	ER25	40	42	52	•
C40H54ER32	C40	ER32	40	50	54	•
C50H60ER16	C50	ER16	50	32	60	•
C50H60ER20	C50	ER20	50	35	60	•
C50H60ER25	C50	ER25	50	42	60	•
C50H60ER32	C50	ER32	50	50	60	•
C50H65ER40	C50	ER40	50	63	65	•
C50H100ER16	C50	ER16	50	32	100	•
C50H100ER25	C50	ER25	50	42	100	•
C50H100ER32	C50	ER32	50	50	100	•
C50H100ER40	C50	ER40	50	63	100	•
C63H60ER16	C63	ER16	63	32	60	•
C63H60ER20	C63	ER20	63	35	60	•
C63H60ER25	C63	ER 25	63	42	60	•
C63H60ER32	C63	ER 32	63	50	60	•
C63H70ER40	C63	ER40	63	63	70	•
C63H100ER16	C63	ER 16	63	32	100	•
C63H100ER20	C63	ER20	63	35	100	•
C63H100ER25	C63	ER 25	63	42	100	•
C63H100ER32	C63	ER 32	63	50	100	•
C63H130ER40	C63	ER 40	63	63	130	•
C80H70ER32	C80	ER32	80	50	70	•
C80H70ER40	C80	ER40	80	63	70	•

Spare parts • Componenti • Ersatzteile
 Pièces détachées • Запасные части • 零件

Accessories
 Accessori
 Zubehör
 Accessoires
 Принадлежности
 零件

pag. 165	pag. 172	pag. 172
pag. 016	pag. 165	pag. 171

ER	NUT	STOP SCREW
16	812-203005	811-303119
20	812-203006	811-303120
25	812-203001	811-303121
32	812-203002	811-303118
40	812-203003	811-303122

COLLET CHUCK KITS KIT PORTAPINZE
 SPANZFUTTERSATZ JEUX PORTE-PINCES
 НАБОРЫ ОПРАВОК С ЦАНГАМИ 夹头变径套组套

DIN ISO 26623-1

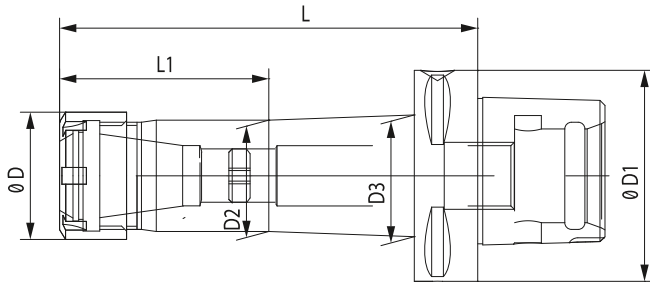
Kit Box: 1 Collet chuck + 10 Collets + Wrench
Cassetta corredo: 1 Portapinze + 10 pinze + chiave
Ausstattungskasten: 1 Spannzangenfutter + 10 Spannzangen + Spannschlüssel
Boite d'équipement: 1 Porte-pince + 10 pincos + Clé de serrage
Набор: из цангового патрона и цанг
套装: 1 刀柄 + 10 夹头 + 1 扳手

CODE N.	DESCRIPTION
KITC50H60ER16	C50H60ER16+10 collets (ER16d.1-2-3-4-5-6-7-8-9-10) + wrench
KITC50H60ER25	C50H60ER25+10 collets (ER25d.2-3-4-5-6-8-10-12-14-16) + wrench
KITC50H60ER32	C50H60ER32+10 collets (ER32d.3-4-6-8-10-12-14-16-18-20) + wrench
KITC50H100ER16	C50H100ER16+10 collets (ER16d.1-2-3-4-5-6-7-8-9-10) + wrench
KITC50H100ER25	C50H100ER25+10 collets (ER25d.2-3-4-5-6-8-10-12-14-16) + wrench
KITC50H100ER32	C50H100ER32+10 collets (ER32d.3-4-6-8-10-12-14-16-18-20) + wrench
KITC63H60ER16	C63H60ER16+10 collets (ER16d.1-2-3-4-5-6-7-8-9-10) + wrench
KITC63H60ER25	C63H60ER25+10 collets (ER25d.2-3-4-5-6-8-10-12-14-16) + wrench
KITC63H60ER32	C63H60ER32+10 collets (ER32d.3-4-6-8-10-12-14-16-18-20) + wrench
KITC63H100ER16	C63H100ER16+10 collets (ER16d.1-2-3-4-5-6-7-8-9-10) + wrench
KITC63H100ER25	C63H100ER25+10 collets (ER25d.2-3-4-5-6-8-10-12-14-16) + wrench
KITC63H100ER32	C63H100ER32+10 collets (ER32d.3-4-6-8-10-12-14-16-18-20) + wrench

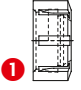
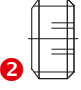


ER MINI COLLET CHUCK MANDRINI PORTAPINZA TIPO ER MINI EXTRA SOTTILI
 SPANNZANGENFUTTER ER MINI MANDRINS A PINCES TYPE ER MINI
 ЦАНГОВЫЕ МИНИ-ПАТРОНЫ ER ER 迷你弹簧夹头

DIN 6499



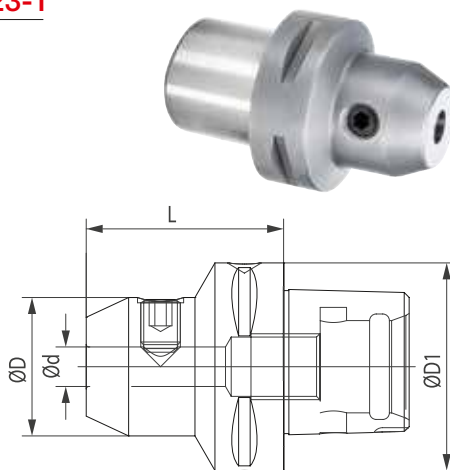
Spare parts • Componenti • Ersatzteile
 Pièces détachées • Запасные части • 零件

ER	NUT	STOP SCREW
		
11M	812-203012	811-303081
16M	812-203013	811-303119
20M	812-203014	811-303120
25M	812-203015	811-303121


CODE N.	ATTACCO SHANK	ER	D1	D	L	L1	D2	D3
C50H100ER11M	C50	11M	50	16	100	40	14	20
C50H100ER16M	C50	16M	50	22	100	42	20	25
C50H100ER20M	C50	20M	50	28	100	48	26	30
C50H100ER25M	C50	25M	50	35	100	-	33	-
C50H160ER11M	C50	11M	50	16	160	50	14	23
C50H160ER16M	C50	16M	50	22	160	97	20	26
C50H160ER20M	C50	20M	50	28	160	98	26	31
C50H160ER25M	C50	25M	50	35	160	103	33	35
C63H100ER11M	C63	11M	63	16	100	40	14	20
C63H100ER16M	C63	16M	63	22	100	42	20	25
C63H100ER20M	C63	20M	63	28	100	48	26	30
C63H100ER25M	C63	25M	63	35	100	-	33	-
C63H160ER11M	C63	11M	63	16	160	50	14	23
C63H160ER16M	C63	16M	63	22	160	97	20	26
C63H160ER20M	C63	20M	63	28	160	98	26	31
C63H160ER25M	C63	25M	63	35	160	103	33	35

POLYGONAL END MILL HOLDER WELDON PORTAFRESE WELDON CON ATTACCO POLIGONALE
 WELDON SPANNFUTTER MIT POLYGONSCHAFT PORTE-FRAISES WELDON AVEC ATTACHEMENT POLYGONALE
 ПАТРОНЫ EPS ДЛЯ КОНЦЕВЫХ ФРЕЗ С ХВОСТОВИКОМ WELDON 多边形威尔登式铣刀柄

DIN ISO 26623-1



Spare parts • Componenti • Ersatzteile
 Pièces détachées • Запасные части • 零件

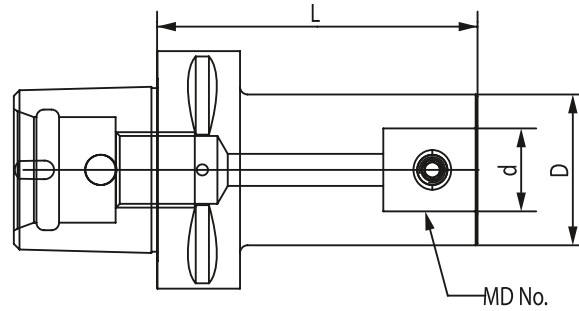
d	LOCKING SCREW	QUANTITY
		
6	811-106001	1
8	811-106002	1
10	811-106004	1
12;14	811-106005	1
16;18	811-106006	1
20	811-106007	1
25	811-106008	2
32;40	811-106009	2

CODE N.	ATTACCO SHANK	D1 mm	D mm	d mm	L mm	G6,3 8000
C40H50WE06	C40	40	25	6	50	•
C40H50WE08	C40	40	28	8	50	•
C40H50WE10	C40	40	35	10	50	•
C40H55WE12	C40	40	42	12	55	•
C40H55WE16	C40	40	48	16	55	•
C50H55WE06	C50	50	25	6	55	•
C50H55WE08	C50	50	28	8	55	•
C50H65WE10	C50	50	35	10	65	•
C50H65WE12	C50	50	42	12	65	•
C50H65WE14	C50	50	42	14	65	•
C50H65WE16	C50	50	48	16	65	•
C50H65WE18	C50	50	48	18	65	•
C50H65WE20	C50	50	52	20	65	•
C50H80WE25	C50	50	65	25	80	•
C63H55WE06	C63	63	25	6	55	•
C63H55WE08	C63	63	28	8	55	•
C63H60WE10	C63	63	35	10	60	•
C63H60WE12	C63	63	42	12	60	•
C63H60WE14	C63	63	44	14	60	•
C63H65WE16	C63	63	48	16	65	•
C63H65WE20	C63	63	52	20	65	•
C63H80WE25	C63	63	64	25	80	•
C63H90WE32	C63	63	72	32	90	•
C80H70WE06	C80	80	25	6	70	•
C80H70WE08	C80	80	28	8	70	•
C80H70WE10	C80	80	35	10	70	•
C80H70WE12	C80	80	42	12	70	•
C80H70WE14	C80	80	44	14	70	•
C80H70WE16	C80	80	48	16	70	•
C80H70WE20	C80	80	50	20	70	•
C80H80WE25	C80	80	52	25	80	•
C80H80WE32	C80	80	72	32	80	•
C80H110WE40	C80	80	80	40	110	•

POLYGONAL ARBORS FOR BORING HEADS
GRUNDAUFNAHME FÜR BOHRKÖPFE MIT POLYGONSCHAFT
ОПРАВКИ ДЛЯ ПОЛИГОНАЛЬНЫХ ГОЛОВOK

ATTACCO BASE PER TESTINE DI ALESATURA – POLIGONALE
MANDRINS POUR TÊTE D'ALESAGE AVEC ATTACHMENT POLYGONALE
多边形接口的镗头座

DIN ISO 26623-1



CODE N.	DESCRIPTION	POLIGONAL	MD No.	D	L	d	CONNECTION SCREW	Qt.
290-07601	C50H85MD2	50	2	24	85	14	811-402093	2
290-07602	C50H100MD2	50	2	24	100	14	811-402093	2
290-07603	C50H95MD3	50	3	31	95	18	811-402094	2
290-07604	C50H125MD3	50	3	31	125	18	811-402094	2
290-07605	C50H85MD4	50	4	40	85	22	811-402095	2
290-07606	C50H130MD4	50	4	40	130	22	811-402095	2
290-07607	C50H75MD5	50	5	50	75	28	811-402096	2
290-07608	C50H125MD5	50	5	50	125	28	811-402096	2
290-07609	C63H85MD2	63	2	24	85	14	811-402093	2
290-07610	C63H100MD2	63	2	24	100	14	811-402093	2
290-07611	C63H95MD3	63	3	31	95	18	811-402094	2
290-07612	C63H125MD3	63	3	31	125	18	811-402094	2
290-07613	C63H85MD4	63	4	40	85	22	811-402095	2
290-07614	C63H130MD4	63	4	40	130	22	811-402095	2
290-07615	C63H75MD5	63	5	50	75	28	811-402096	2
290-07616	C63H125MD5	63	5	50	125	28	811-402096	2

Accessories
Accessori
Zubehör
Accessoires
Принадлежности
零件



POLYGONAL FACE MILL HOLDER PORTAFRESE A TRASCINAMENTO FISSO CON ATTACCO POLIGONALE
 AUFSTECKFRÄSDORNE MIT POLYGONSCHAFT PORTE-FRAISES AVEC ATTACHEMENT POLYGONALE
 ПАТРОНЫ С ПОЛИГОНАЛЬНЫМ ХВОСТОВИКОМ ДЛЯ НАСАДНЫХ ФРЕЗ 多边形端面铣刀柄

DIN ISO 26623-1



CODE N.	ATTACCO SHANK	D1 mm	D mm	d mm	L mm	L1 mm	G6,3 8000
C40H32D16	C40	40	32	16	32	17	•
C40H25D22	C40	40	40	22	25	19	•
C50H60D16	C50	50	38	16	60	17	•
C50H60D22	C50	50	48	22	60	19	•
C50H60D27	C50	50	58	27	60	21	•
C50H60D32	C50	50	63	32	60	24	•
C63H40D16	C63	63	32	16	40	17	•
C63H63D16	C63	63	38	16	63	17	•
C63H25D22	C63	63	55	22	25	19	•
C63H100D22	C63	63	48	22	100	19	•
C63H25D27	C63	63	63	27	25	21	•
C63H100D27	C63	63	58	27	100	21	•
C63H25D32	C63	63	63	32	25	24	•
C63H100D32	C63	63	63	32	100	24	•
C63H40D40	C63	63	89	40	40	27	•
C63H100D40	C63	63	70	40	100	27	•
C80H50D16	C80	80	32	16	50	17	•
C80H30D22	C80	80	55	22	30	19	•
C80H30D27	C80	80	65	27	30	21	•
C80H30D32	C80	80	79	32	30	24	•
C80H30D40	C80	80	80	40	30	27	•

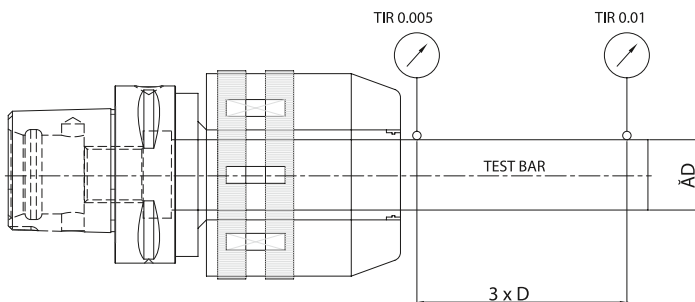
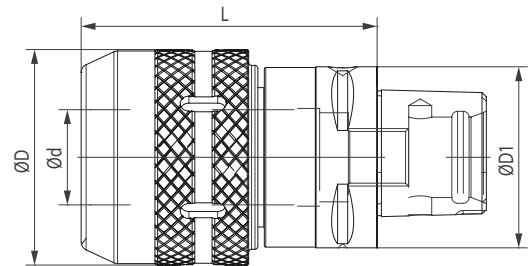
d	CROSS SCREW	CROSS SCREW ON ENQUIRY	DOG A	SCREW A	DOG B	SCREW B
16	811-107003	811-107013	814-202280	811-101004	814-20214	811-101002
22	811-107004	811-107014	814-202250	811-101011	814-20215	811-101010
27	811-107005	811-107015	814-202270	811-101018	814-20216	811-101017
32	811-107006	811-107016	814-202630	811-101029	814-20217	811-101027
40	811-107007	811-107017	814-202710	811-101029	814-20218	811-101028

Spare parts • Componenti
 Ersatzteile • Pièces détachées
 Запасные части • 零件

02

POLYGONAL MILLING CHUCK MANDRINI FORTE SERRAGGIO CON ATTACCO POLIGONALE
 KRAFTSPANNFUTTER MIT POLYGONSCHAFT MANDRINS A FORT SERRAGE AVEC ATTACHEMENT POLYGONALE
 СИЛОВЫЕ ПАТРОНЫ 多边形强力铣夹头

DIN ISO 26623-1



CODE N.	SHANK	D1	D	d	L	G6,3 8000
C50H75C20	C50	50	54	20	7	•
C63H80C20	C63	63	54	20	80	•
C63H100C32	C63	63	72	32	100	•
C80H75C20	C80	80	54	20	75	•
C80H95C32	C80	80	72	32	95	•

Accessories
 Accessori
 Zubehör
 Accessoires
 Принадлежности
 零件



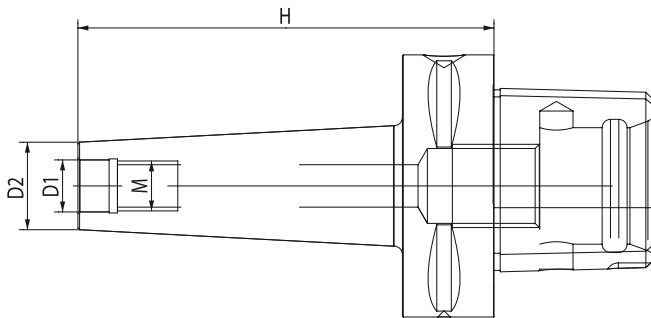
pag. 170

SUPPLIED WITH WRENCH • FORNITI CON CHIAVE INCLUSA • INKLUSIVE SPANNSCHLÜSSEL
 CLÉ INCLUSE • ПОСТАВЛЯЕТСЯ С КЛЮЧОМ • 供货时提供扳手

MILLING CUTTER ARBORS FOR SCREW-ON TYPE MILLING CUTTERS
 SPANFUTTER FÜR EINSCHRAUBFRÄSER
 ОПРАВКИ ДЛЯ ФРЕЗЕРНЫХ ГОЛОВОК

MANDRINI PER FRESE CON ATTACCO FILETTATO
 MANDRINS POUR FRAISER A VISSER
 螺纹连接型铣刀的铣刀杆

DIN ISO 26623-1



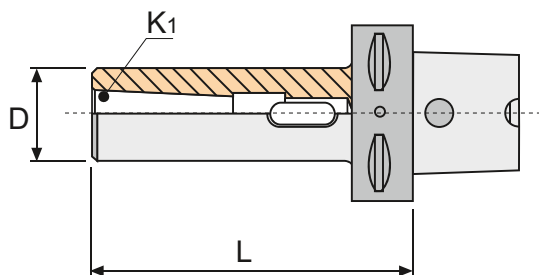
CODE N.	ATTACCO SHANK	M	D1	D2	H
C50H70M8	C50	M8	8.5	13	70
C50H80M10	C50	M10	10.5	18	80
C50H80M12	C50	M12	12.5	21	80
C50H80M16	C50	M16	17	29	80
C63H70M8	C63	M8	8.5	13	70
C63H90M10	C63	M10	10.5	18	90
C63H100M12	C63	M12	12.5	21	100
C63H100M16	C63	M16	17	29	100

02

POLYGONAL MORSE TAPER ADAPTORS FOR DRILLS
 ZWISCHENHÜLSEN FÜR MORSEKEGEL
 MIT AUSTREIBBLAPPEN ODER ANZUGSGEWINDE
 ОПРАВКИ ДЛЯ КОНУСОВ МОРЗЕ С ЛАПКОЙ И С РЕЗЬБОЙ

MANDRINI PORTAPUNTE ATTACCO CONO MORSE
 CON ATTACCO POLIGONALE
 DOUILLES POUR CONE MORSE A TENON ET AVEC TARAUDAGE
 莫氏锥度钻接头

DIN ISO 26623-1

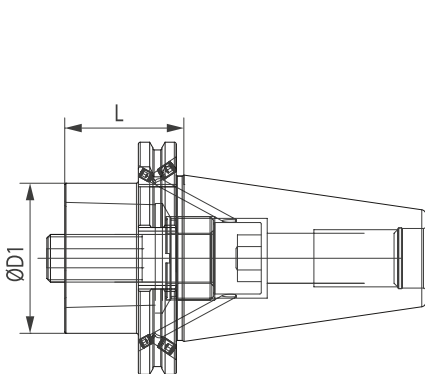


CODE N.	ATTACCO SHANK	D1 mm	A mm	L mm	G6,3 8000
C50H110CM2P	C50	32	MK2	110	•
C50H130CM3P	C50	40	MK3	130	•
C63H110CM2P	C63	32	MK2	110	•
C63H130CM3P	C63	40	MK3	130	•
C63H150CM4P	C63	52	MK4	150	•

REDUCTION ISO 40/50 DIN69871-AD/B – POLYGONAL SHANK
 REDUKTION SK 40/50 DIN69871 MIT POLYGONSCHAFT
 ПЕРЕХОДНИКИ С ISO 40/50 DIN69871-AD/B HA EPS

RIDUZIONE ISO 40/50 DIN 69871-AD/B PER ATTACCO POLIGONALE
 REDUCTION ISO 40/50 DIN69871 AVEC ATTACHEMENT POLYGONALE
 DIN69871-AD/B 多边形缩减柄

DIN ISO 26623-1 - DIN 69871

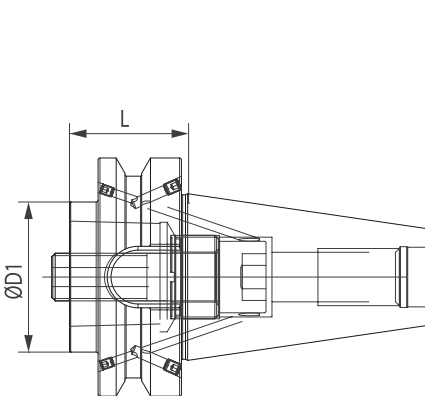


CODE N.	ATTACCO SHANK	D1 mm	L mm
TC40H30C32DK	40DIN69871 AD/B	32	30
TC40H40C40DK	40DIN69871 AD/B	40	40
TC40H50C50DK	40DIN69871 AD/B	50	50
TC40H85C63DK	40DIN69871 AD/B	63	85
TC50H60C32DK	50DIN69871 AD/B	32	60
TC50H30C40DK	50DIN69871 AD/B	40	30
TC50H60C40DK	50DIN69871 AD/B	40	60
TC50H30C50DK	50DIN69871 AD/B	50	30
TC50H70C50DK	50DIN69871 AD/B	50	70
TC50H50C63DK	50DIN69871 AD/B	63	50
TC50H100C63DK	50DIN69871 AD/B	63	100
TC50H70C80DK	50DIN69871 AD/B	80	70
TC50H120C80DK	50DIN69871 AD/B	80	120

REDUCTION BT40/50-AD/B – POLYGONAL SHANK
 REDUKTION BT40/50-AD/B MIT POLYGONSCHAFT
 ПЕРЕХОДНИКИ С BT40/50-AD/B HA DIN

RIDUZIONE BT40/50-AD/B CON ATTACCO POLIGONALE
 REDUCTION BT40/50-AD/B AVEC ATTACHEMENT POLYGONALE
 BT40/50-AD/B 多边形缩减柄

DIN ISO 26623-1 - JIS-B 6339 MAS 403/BT



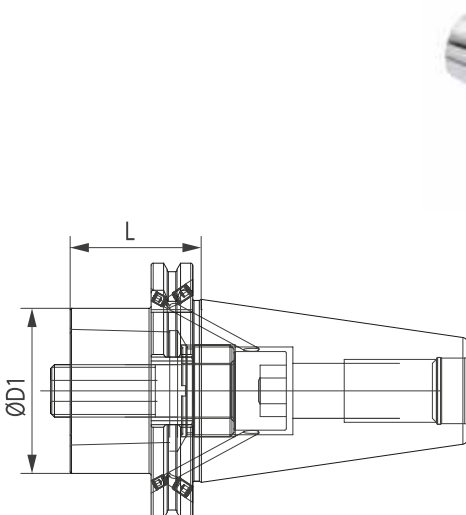
CODE N.	ATTACCO SHANK	D1 mm	L mm
BT40H30C32DK	40MAS403/BT AD/B	32	30
BT40H40C40DK	40MAS403/BT AD/B	40	40
BT40H50C50DK	40MAS403/BT AD/B	50	50
BT40H75C63DK	40MAS403/BT AD/B	63	75
BT50H70C32DK	50MAS403/BT AD/B	32	70
BT50H40C40DK	50MAS403/BT AD/B	40	40
BT50H70C40DK	50MAS403/BT AD/B	40	70
BT50H40C50DK	50MAS403/BT AD/B	50	40
BT50H80C50DK	50MAS403/BT AD/B	50	80
BT50H50C63DK	50MAS403/BT AD/B	63	50
BT50H100C63DK	50MAS403/BT AD/B	63	100
BT50H70C80DK	50MAS403/BT AD/B	80	70
BT50H120C80DK	50MAS403/BT AD/B	80	120

02

REDUCTION ISO 40/50 DIN69871-AD/B – POLYGONAL SHANK
 REDUKTION SK 40/50 DIN69871 MIT POLYGONSCHAFT
 ПЕРЕХОДНИКИ С ISO 40/50 DIN69871-AD/B HA EPS

RIDUZIONE ISO 40/50 DIN 69871-AD/B PER ATTACCO POLIGONALE
 REDUCTION ISO 40/50 DIN69871 AVEC ATTACHEMENT POLYGONALE
 DIN69871-AD/B 多边形缩减柄

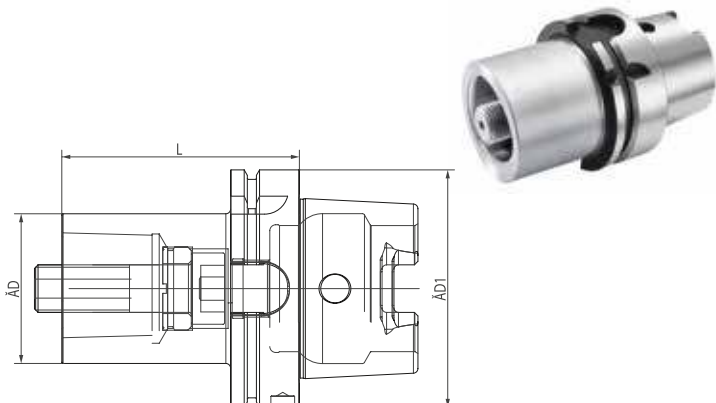
DIN ISO 26623-1 - DIN 69871



CODE N.	ATTACCO SHANK	D1 mm	L mm
TC40H30C32ADB	40DIN69871 AD/B	32	30
TC40H60C32ADB	40DIN69871 AD/B	32	60
TC40H30C40ADB	40DIN69871 AD/B	40	30
TC40H60C40ADB	40DIN69871 AD/B	40	60
TC40H40C50ADB	40DIN69871 AD/B	50	40
TC40H85C63ADB	40DIN69871 AD/B	63	85
TC50H30C32ADB	50DIN69871 AD/B	32	30
TC50H60C32ADB	50DIN69871 AD/B	32	60
TC50H30C40ADB	50DIN69871 AD/B	40	30
TC50H60C40ADB	50DIN69871 AD/B	40	60
TC50H30C50ADB	50DIN69871 AD/B	50	30
TC50H70C50ADB	50DIN69871 AD/B	50	70
TC50H110C50ADB	50DIN69871 AD/B	50	110
TC50H30C63ADB	50DIN69871 AD/B	63	30
TC50H50C63ADB	50DIN69871 AD/B	63	50
TC50H80C63ADB	50DIN69871 AD/B	63	80
TC50H70C80ADB	50DIN69871 AD/B	80	70
TC50H120C80ADB	50DIN69871 AD/B	80	120

REDUCTION HSK POLYGONAL SHANK RIDUZIONE HSK PER ATTACCO POLIGONALE
 REDUKTION HSK MIT POLYGONSCHAFT REDUCTION HSK AVEC ATTACHEMENT POLYGONALE
 ПЕРЕХОДНИКИ HSK НА EPS HSK 多边形缩减柄

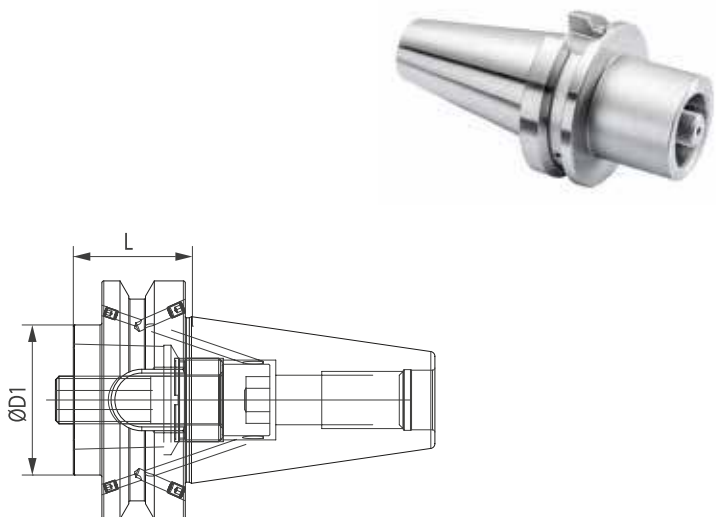
DIN ISO 26623-1 - DIN 69893/A



CODE N.	ATTACCO SHANK	D mm	D1 mm	L mm
HSK63AH63C32	DIN69893 HSK63	32	63	63
HSK63AH80C40	DIN69893 HSK63	40	63	80
HSK63AH90C50	DIN69893 HSK63	50	63	90
HSK63AH110C63	DIN69893 HSK63	63	63	110
HSK100AH90C40	DIN69893 HSK100	40	100	90
HSK100AH100C50	DIN69893 HSK100	50	100	100
HSK100AH90C63	DIN69893 HSK100	63	100	90
HSK100AH150C63	DIN69893 HSK100	63	100	150
HSK100AH120C80	DIN69893 HSK100	80	100	120

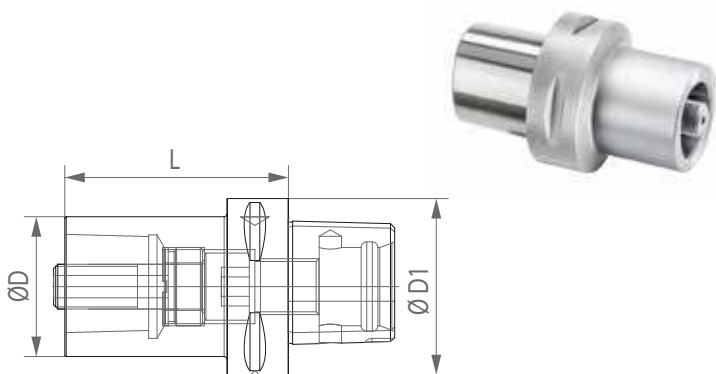
REDUCTION BT40/50-AD/B – POLYGONAL SHANK RIDUZIONE BT40/50-AD/B CON ATTACCO POLIGONALE
 REDUKTION BT40/50-AD/B MIT POLYGONSCHAFT REDUCTION BT40/50-AD/B AVEC ATTACHEMENT POLYGONALE
 ПЕРЕХОДНИКИ С BT40/50-AD/B НА DIN BT40/50-AD/B 多边形缩减柄

DIN ISO 26623-1 - JIS-B 6339 MAS 403/BT



CODE N.	ATTACCO SHANK	D1 mm	L mm
BT40H30C32ADB	40MAS403BT AD/B	32	30
BT40H60C32ADB	40MAS403BT AD/B	32	60
BT40H30C40ADB	40MAS403BT AD/B	40	30
BT40H60C40ADB	40MAS403BT AD/B	40	60
BT40H50C50ADB	40MAS403BT AD/B	50	50
BT40H90C50ADB	40MAS403BT AD/B	50	90
BT40H75C63ADB	40MAS403BT AD/B	63	75
BT50H40C32ADB	50MAS403BT AD/B	32	40
BT50H70C32ADB	50MAS403BT AD/B	32	70
BT50H40C40ADB	50MAS403BT AD/B	40	40
BT50H70C40ADB	50MAS403BT AD/B	40	70
BT50H40C50ADB	50MAS403BT AD/B	50	40
BT50H80C50ADB	50MAS403BT AD/B	50	80
BT50H50C63ADB	50MAS403BT AD/B	63	50
BT50H90C63ADB	50MAS403BT AD/B	63	90
BT50H70C80ADB	50MAS403BT AD/B	80	70
BT50H120C80ADB	50MAS403BT AD/B	80	120

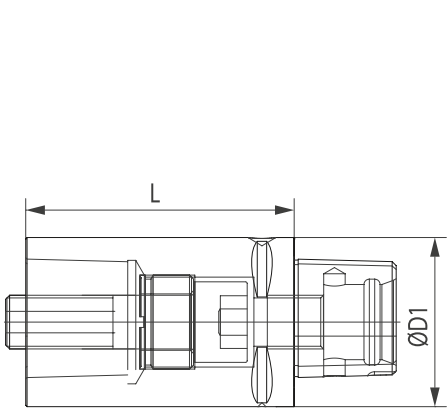
POLYGONAL REDUCTION RIDUZIONE CON ATTACCO POLIGONALE
 POLYGONSCHAFT-REDUKTION REDUCTION AVEC ATTACHEMENT POLYGONALE
 ПЕРЕХОДНИКИ 缩小 多边形柄



CODE N.	ATTACCO SHANK	D1	D	L
C40H55C32	C40	40	32	55
C50H65C40	C50	50	40	65
C50H85C40	C50	50	40	85
C63H80C40	C63	63	40	80
C63H80C50	C63	63	50	80
C80H120C50	C80	80	50	120
C80H80C63	C80	80	63	80

POLYGONAL EXTENSION
 POLYGONSCHAF-VERLÄNGERUNG
 УДЛИНИТЕЛИ С ПОЛИГОНАЛЬНЫМ ХВОСТОВИКОМ
 PROLUNGA CON ATTACCO POLIGONALE
 RALLONGES AVEC ATTACHEMENT POLYGONALE
 多边形延长杆

DIN ISO 26623-1

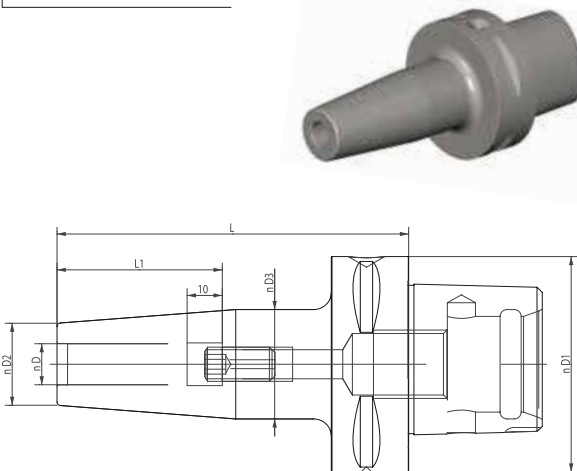


* Not possible to use together with basic holder using centre bolt clamping

CODE N.	ATTACCO SHANK	D1 mm	L mm
C32H60C32	C32	32	60
C32H80C32	C32	32	80
C40H40C40*	C40	40	40
C40H60C40	C40	40	60
C40H80C40	C40	40	80
C50H50C50*	C50	50	50
C50H80C50	C50	50	80
C50H100C50	C50	50	100
C63H60C63*	C63	63	60
C63H100C63	C63	63	100
C63H140C63	C63	63	140
C80H65C80	C80	80	65
C80H100C80	C80	80	100
C80H125C80	C80	80	125

SHRINK FIT TOOL WITH POLYGONAL ATTACHMENT
 POLYGONHALTER · SCHRUMPFUTTER
 ТЕРМОЗАЖИМНЫЕ ПАТРОНЫ С ПОЛИГОНАЛЬНЫМ ХВОСТИКОМ
 MANDRINO A CALETTAMENTO CON ATTACCO POLIGONALE
 MANDRINS DE FRETTAGE – POLYGONAL
 多边形热缩刀柄

DIN ISO 26623-1



CODE N.	ATTACCO SHANK	D	D1	D2	D3	L	L1
C63H80K03-HTT	C63	3	63	10	17	80	12
C63H80K04-HTT	C63	4	63	10	17	80	16
C63H80K05-HTT	C63	5	63	10	17	80	20
C63H80K06-HTT	C63	6	63	21	27	80	36
C63H80K08-HTT	C63	8	63	21	27	80	36
C63H80K10-HTT	C63	10	63	24	32	80	42
C63H80K12-HTT	C63	12	63	24	32	80	47
C63H85K16-HTT	C63	16	63	27	34	85	50
C63H85K20-HTT	C63	20	63	33	42	85	52
C63H90K25-HTT	C63	25	63	44	53	90	58
C63H95K32-HTT	C63	32	63	44	53	95	58

DIN ISO 26623-1

CONTROL PINS
 PRÜFDORNE
 КОНТРОЛЬНЫЕ ЦИЛИНДРЫ
 BARRE DI CONTROLLO
 BARRES DE CONTROLE
 测试棒

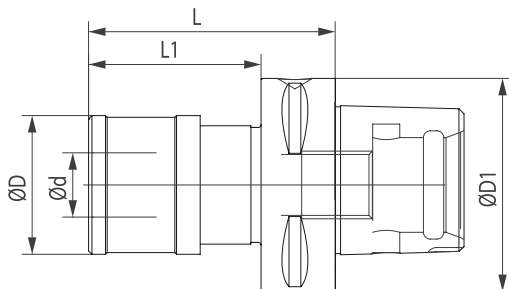


CODE N.	ATTACCO SHANK	D1	D	L
C40H300D35BC	C40	40	35	300
C50H300D40BC	C50	50	40	300
C63H160D35BC	C63	63	35	160
C63H180D40BC	C63	63	40	180
C63H346D40BC	C63	63	40	346
C80H346D40BC	C80	80	40	346

POLYGONAL TAPPING HEAD MASCHIATORE A CAMBIO RAPIDO CON ATTACCO POLIGONALE
 GEWINDESCHNEIDFUTTER MIT POLYGONSCHAFT MANDRIN DE TARAUDAGE AVEC ATTACHEMENT POLYAGONALE
 РЕЗЬБОНАРЕЗНЫЕ ПАТРОНЫ DIN ДЛЯ МЕТЧИКОВ 多边形快换攻丝头

DIN ISO 26623-1


CODE N.	ATTACCO SHANK	D1 mm	D mm	d mm	L mm	L1 mm	TOP RANGE
C40GR1	C40	40	41	19	68	48	M3-M12
C40GR2	C40	40	60	31	91,5	68	M6-M20
C63GR1	C63	63	41	19	73	51	M3-M12
C63GR2	C63	63	60	31	97	75	M6-M20
C80GR1	C80	80	41	19	75	45	M3-M12
C80GR2	C80	80	60	31	93,5	63,5	M6-M20
C80GR3	C80	80	86	48	137	107	M14-M33



Accessories
 Accessori
 Zubehör
 Accessoires
 Принадлежности
 零件



pag. 160

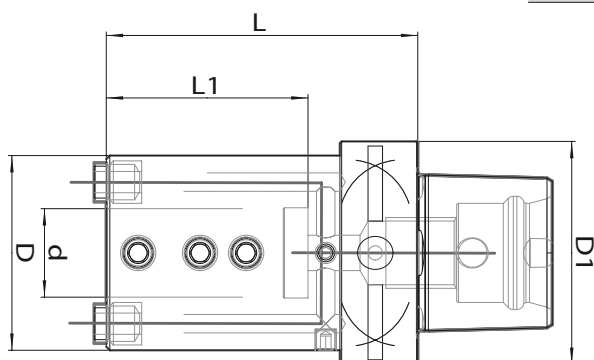


pag. 161

AXIAL BORING BAR HOLDER PORTAUTENSILE PER BARENI, ASSIALE
 AXIAL BOHRSTANGENHALTER PORTE-OUTIL POUR BARRES D'ALEPAGE AXIAL
 ДЕРЖАТЕЛИ ОСЕВЫЕ ДЛЯ РАСТОЧНЫХ РЕЗЦОВ 轴向镗杆刀柄

DIN ISO 26623-1


CODE N.	ATTACCO SHANK	D	D1	d	L	L1	COOLANT NOOSE
C40H65D12E2	C40	36	40	12	65	40	PWZ1008D8X06
C40H70D16E2	C40	40	40	16	70	42	PWZ1008D8X06
C40H70D20E2	C40	45	40	20	70	42	PWZ1008D8X06
C50H70D12E2	C50	40	50	12	70	40	PWZ1008D10X7
C50H80D16E2	C50	45	50	16	80	50	PWZ1008D10X7
C50H80D20E2	C50	50	50	20	80	50	PWZ1008D10X7
C50H80D25E2	C50	55	50	25	80	50	PWZ1008D10X7
C63H80D16E2	C63	45	63	16	80	50	PWZ1008D10X7
C63H80D20E2	C63	50	63	20	80	50	PWZ1008D10X7
C63H80D25E2	C63	55	63	25	88	57	PWZ1008D10X7
C63H95D32E2	C63	72	63	32	95	59	PWZ1008D12X8
C63H105D40E2	C63	80	63	40	105	72	PWZ1008D12X8
C80H85D16E2	C80	45	80	16	85	48	PWZ1008D10X7
C80H85D20E2	C80	50	80	20	85	48	PWZ1008D10X7
C80H85D25E2	C80	55	80	25	85	48	PWZ1008D10X7
C80H95D32E2	C80	72	80	32	95	58	PWZ1008D12X8
C80H110D40E2	C80	80	80	40	110	73	PWZ1008D12X8



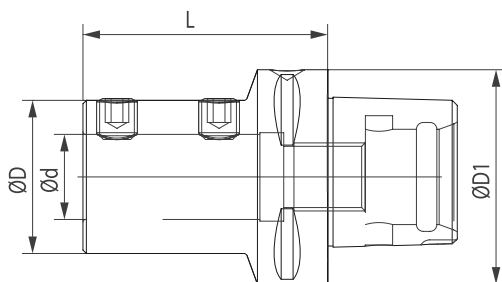
Accessories
 Accessori
 Zubehör
 Accessoires
 Принадлежности
 零件



pag. 319

POLYGONAL BORING BAR ADAPTER
 REDUZIERHÜLSEN MIT POLYGONSCHAFT
 ПАТРОНЫ DIN ДЛЯ РАСТОЧНЫХ ДЕРЖАВОК
 ADATTATORE PER PUNTE CON ATTACCO POLIGONALE
 DOUILLES AVEC ATTACHEMENT POLYGOALE
 多边形镗孔适配器

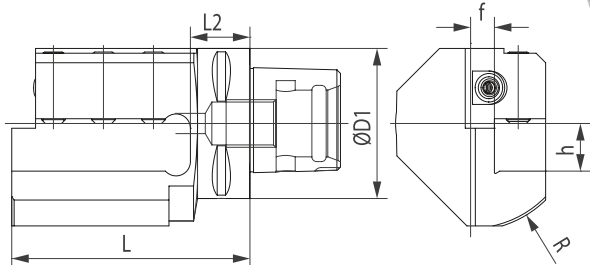
DIN ISO 26623-1



CODE N.	ATTACCO SHANK	D mm	D1 mm	d mm	L mm
C50H52D08PNT	C50	44	50	8	52
C50H52D10PNT	C50	44	50	10	52
C50H52D12PNT	C50	44	50	12	52
C50H65D16PNT	C50	44	50	16	65
C50H60D20PNT	C50	44	50	20	60
C50H70D25PNT	C50	44	50	25	70
C63H60D08PNT	C63	44	63	8	60
C63H60D10PNT	C63	44	63	10	60
C63H60D12PNT	C63	44	63	12	60
C63H70D16PNT	C63	36	63	16	70
C63H70D20PNT	C63	40	63	20	70
C63H72D25PNT	C63	45	63	25	72
C63H75D32PNT	C63	52	63	32	75
C63H85D40PNT	C63	63	63	40	85
C80H80D16PNT	C80	36	80	16	80
C80H80D20PNT	C80	40	80	20	80
C80H85D25PNT	C80	45	80	25	85
C80H90D32PNT	C80	52	80	32	90

90° POLYGONAL TOOLHOLDER
 90° DREHHALTER MIT POLYGONSCHAFT
 ПАТРОНЫ DIN ДЛЯ ДЕРЖАВОК ДЛЯ НАРУЖНОГО ТОЧЕНИЯ 90 ГРАДУСОВ
 PORTAUTENSILE 90° CON ATTACCO POLIGONALE
 PORTE-OUTIL 90° AVEC ATTACHEMENT POLYGOALE
 90°多边形刀柄

DIN ISO 26623-1

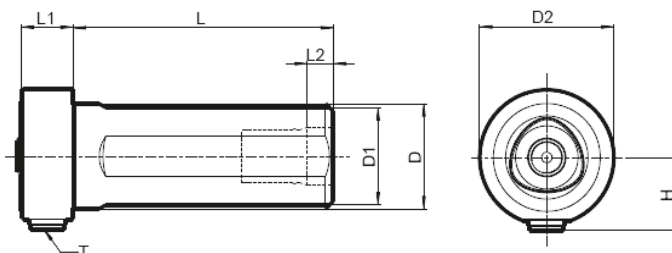


CODE N.	ATTACCO SHANK	D1 mm	L mm	h mm
C50-AD2020R/L	C50	50	98	20
C63-AD2020R/L	C63	63	100	20
C63-AD2525R/L	C63	63	130	25
C63-AD3232R/L	C63	63	134	32

02

TOOLHOLDER WITH CYLINDRICAL SHANK
 AND WITH POLYGONAL ATTACHMENT
 WERKZEUGHALTER MIT ZYLINDRISCHEM SCHAFT
 UND MIT POLYGONSCHAFT KUPPLUNG
 ДЕРЖАТЕЛИ С ЦИЛИНДРИЧЕСКИМ ХВОСТОВИКОМ
 ДЛЯ ИНСТРУМЕНТА С ХВОСТОВИКОМ HSK
 PORTAUTENSILE A STELO CILINDRICO
 CON ATTACCO POLIGONALE
 PORTE-OUTIL AVEC QUEUE CYLINDRIQUE
 ET AVEC ATTACHEMENT POLYGOALE
 带多边形接口的圆柱杆刀柄

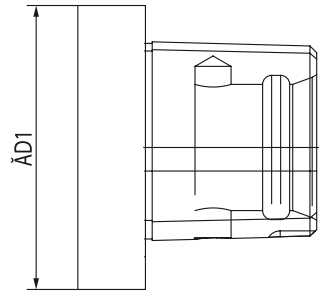
DIN ISO 26623-1



CODE N.	ATTACCO SHANK	L	L1	L2	D	D1	H	T
D40L100C40	C40	100	20	10	40	37	28	1/8 G
D50L120C50	C50	120	24	20	50	47	33	1/8 G

BLANKING PLUG TAPPO DI PROTEZIONE
 VERSCHLÜßDECKEL BOUCHON DE PROTECTION
 ЗАГЛУШКИ 切断栓

DIN ISO 26623-1

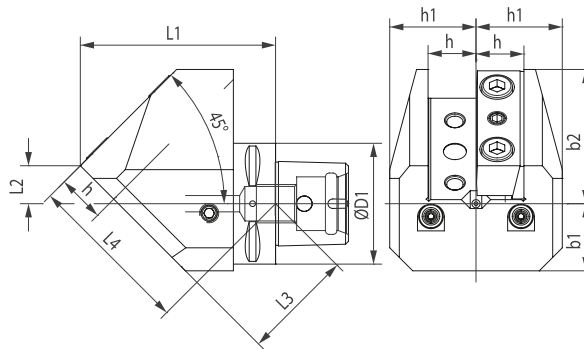


CODE N.	D1
C40-TP	40
C50-TP	50
C63-TP	63
C80-TP	80

45° POLYGONAL TOOLHOLDER PORTAUTENSILE 45° CON ATTACCO POLIGONALE
 45° DREHNALTER MIT POLYGONSCHAFT PORTE-OUTIL 45° AVEC ATTACHEMENT POLYGONALE
 ПАТРОНЫ DIN ДЛЯ ДЕРЖАВОК ДЛЯ НАРУЖНОГО ТОЧЕНИЯ 45 ГРАДУСОВ 45°多边形刀柄

DIN ISO 26623-1

CODE N.	ATTACCO SHANK	D1 mm	b1 mm	b2 mm	h mm	h1 mm	L1 mm	L2 mm	L3 mm	L4 mm
C63-ARD2525-45	C63	63	35	70	25	45	102	20	58	86

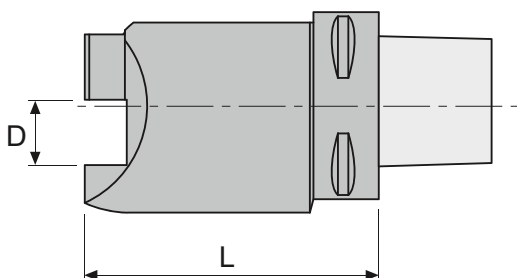


45° POLYGONAL TOOLHOLDER PORTAUTENSILE 45° CON ATTACCO POLIGONALE
 45° DREHNALTER MIT POLYGONSCHAFT PORTE-OUTIL 45° AVEC ATTACHEMENT POLYGONALE
 ПАТРОНЫ DIN ДЛЯ ДЕРЖАВОК ДЛЯ НАРУЖНОГО ТОЧЕНИЯ 45 ГРАДУСОВ 45°多边形刀柄

DIN ISO 26623-1

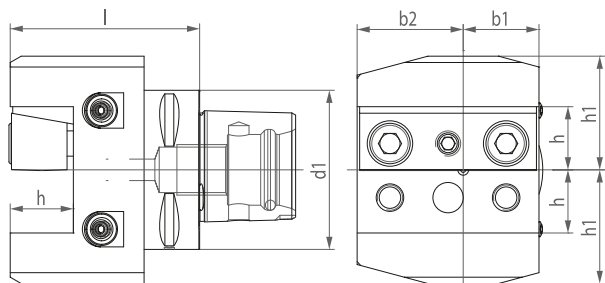


CODE N.	ATTACCO SHANK	D mm	L mm
C63AR20R/L	C63	20	100
C63AR25R/L	C63	25	130



RADIAL TOOLHOLDER PORTAUTENSILE RADIALE
 RADIAL WERKZEUGHALTER PORTE-OUTIL RADIAL
 РЕЗЦЕДЕРЖАТЕЛИ РАДИАЛЬНЫЕ 径向刀柄

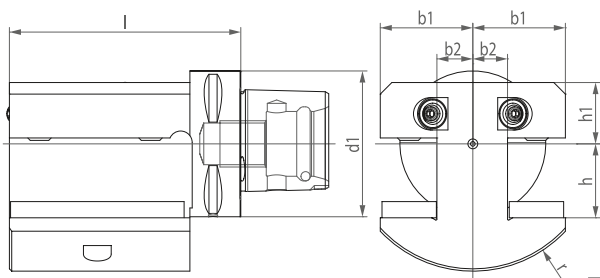
DIN ISO 26623-1



CODE N.	SHANK	d1	b1	b2	h	h1	l
C63RD25R	C63	63	30	42	25	45	75

AXIAL TOOLHOLDER PORTAUTENSILE ASSIALE
 AXIAL WERKZEUGHALTER PORTE-OUTIL AXIAL
 РЕЗЦЕДЕРЖАТЕЛИ ОСЕВЫЕ 轴向刀柄

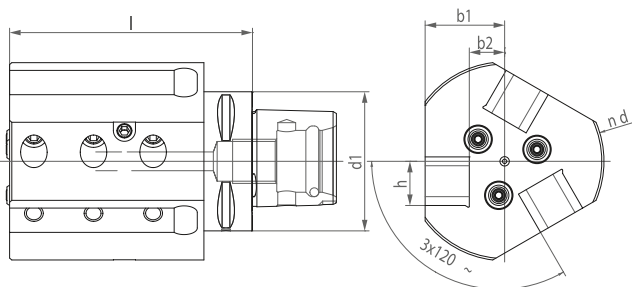
DIN ISO 26623-1



CODE N.	SHANK	d1	b1	b2	h	h1	l	r
C63AX25/32	C63	63	40	15	25/32	26.5	110	55

AXIAL TOOLHOLDER PORTAUTENSILE ASSIALE
 AXIAL WERKZEUGHALTER PORTE-OUTIL AXIAL
 РЕЗЦЕДЕРЖАТЕЛИ ОСЕВЫЕ 轴向刀柄

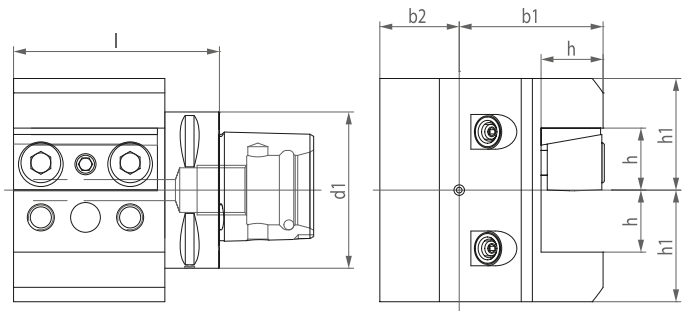
DIN ISO 26623-1



CODE N.	SHANK	d1	b1	b2	h	l	d
C63AT20R	C63	63	36	16	20	110	90
C63AT20L	C63	63	36	16	20	110	90

AXIAL TOOLHOLDER PORTAUTENSILE ASSIALE
 AXIAL WERKZEUGHALTER PORTE-OUTIL AXIAL
 РЕЗЦЕДЕРЖАТЕЛИ ОСЕВЫЕ 轴向刀柄

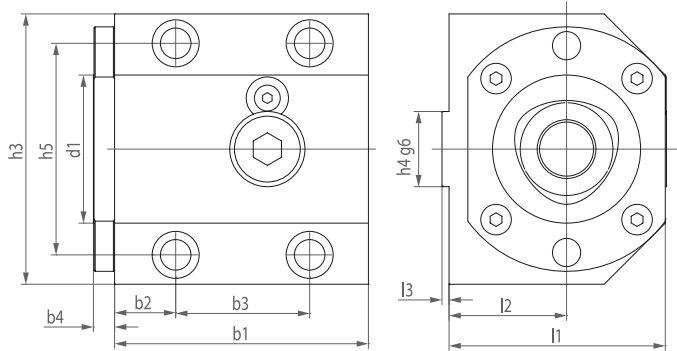
DIN ISO 26623-1



CODE N.	SHANK	d1	b1	b2	h	h1	l
C63AD25R	C63	63	58	32	25	45	83

LONGITUDINAL TOOLHOLDER FOR BORING BARS PORTAUTENSILE LONGITUDINALE PER
 LÄNGSWERKZEUGHALTER BARENI, PER TORRETTA RADIALE
 FÜR BOHRSTANGEN FÜR STERNREVOLVER PORTE-OUTIL LONGITUDINAL POUR OUTILS A ALESER
 ДЕРЖАТЕЛИ РАСТОЧНЫХ РЕЗЦОВ ПРОДОЛЬНЫЕ 镗头柄水平式刀柄

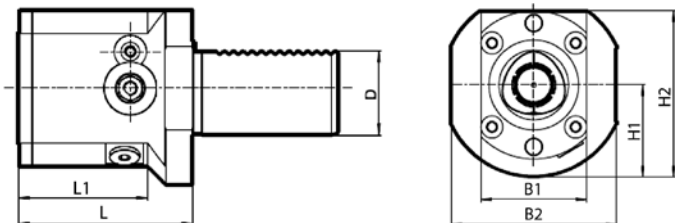
DIN ISO 26623-1



CODE N.	d1	h3	h4	h5	b1	b2	b3	b4	l1	l2	l3
PU4-25-C4	40	92	25	71	78	22	43	6	56	29	3
PU4-25-C5	50	92	25	71	87	22	43	8	74	39	3
PU4-32-C5	50	115	32	90	95	26	57	8	74	39	3
PU4-32-C6	63	115	32	90	108	26	57	9	95	50	3

AXIAL TOOLHOLDER WITH POLYGONAL COUPLING PORTAUTENSILE ASSIALE PER UTENSILI CON ATTACCO POLIGONALE
 AXIAL WERKZEUGHALTER MIT POLYGONSCHAFT KUPPLUNG PORTE-OUTIL AXIAL AVEC ATTACHEMENT POLYGONALE
 ДЕРЖАТЕЛИ ИНСТРУМЕНТА С ХВОСТОВИКОМ HSK ОСЕВЫЕ 多边形耦合轴向刀柄

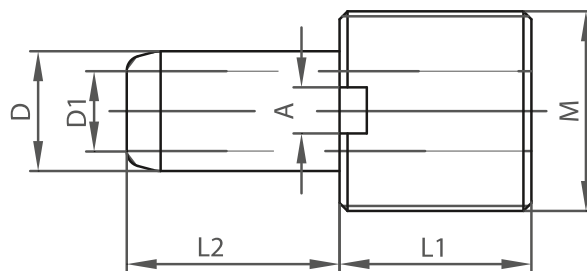
DIN ISO 26623-1



CODE N.	ATTACCO SHANK	L	L1	D	B1	B2	H1	H2
VDI30L77C40R/L	C40	77	77	30	48	58	34	68
VDI30L87C50R/L	C50	87	87	30	64	64	41	82
VDI40L75C40R/L	C40	75	56	40	48	75	41	75
VDI40L85C50R/L	C50	85	72	40	64	75	41	83
VDI40L109C63R/L	C63	109	109	40	84	84	52	104
VDI50L85C50R/L	C50	85	62	50	64	83	49	91
VDI50L105C63R/L	C63	105	105	50	84	84	52	104
VDI60L95C63R/L	C63	95	59	60	84	84	58	111

COOLANT SUPPLY UNIT SET ADDUZIONE REFRIGERANTE
 KÜHLMITTELÜBERGABEROHR DISPOSITIF DE TRANSFERT DE LIQUIDE DE LUBRIFICATION
 СОПЛА ДЛЯ ВНУТРЕННЕЙ ПОДАЧИ СОЖ 冷却剂供应装置

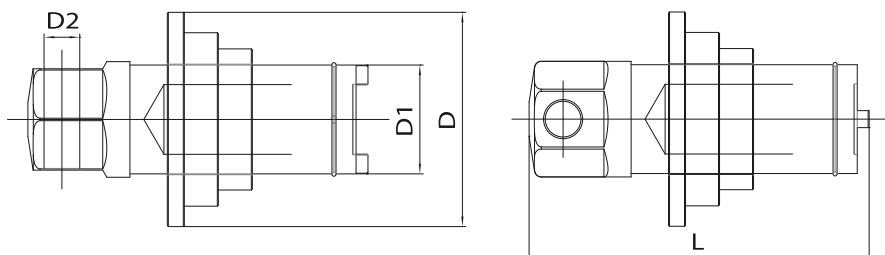
DIN ISO 26623-1



CODE N.	ATTACCO SHANK	M	D	D1	L1	L2	A
832-016090	C50	M16x1,5	7	5	14	14.4	3
832-016100	C63	M20x2	8	6	15	15.7	3

KEY FOR COOLANT SUPPLY UNIT CHIAVE PER ADDUTTORE REFRIGERANTE
 SCHLÜSSEL FÜR KÜHLMITTELÜBERGABESATZ CLE POUR LE DISPOSITIF DE TRANSFERT DE LIQUIDE DE LUBRIFICATION
 КЛЮЧИ К СОПЛАМ ДЛЯ ВНУТРЕННЕЙ ПОДАЧИ СОЖ 冷却剂供应装置键

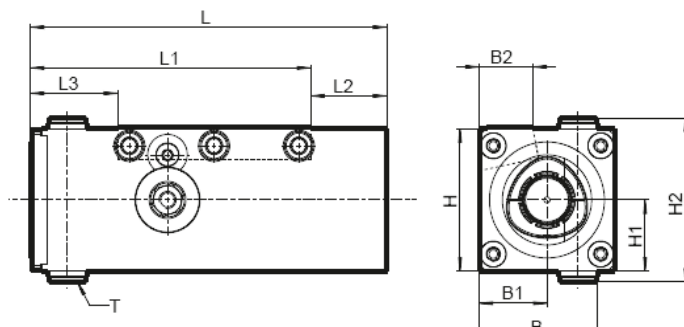
DIN ISO 26623-1



CODE N.	ATTACCO SHANK	D	D1	D2	L
816-204026	C50	42	26	10,5	90
816-204027	C63	63	32	10,5	100

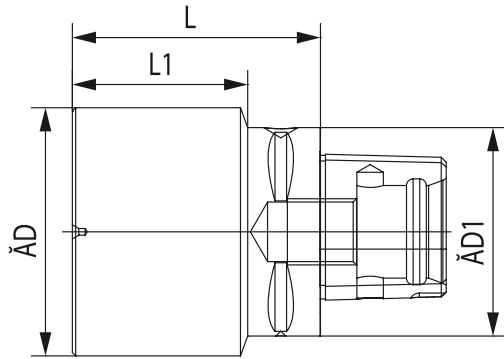
TOOLHOLDER WITH SQUARE SHANK AND WITH POLYGONAL ATTACHMENT PORTAUTENSILE A STELO QUADRO CON ATTACCO POLIGONALE
 WERKZEUGHALTER MIT VIERECKIGEM SCHAFT UND MIT POLYGONSCHAFT KUPPLUNG PORTE-OUTIL AVEC QUEUE CARÉE ET AVEC ATTACHEMENT POLYGONALE
 ДЕРЖАТЕЛИ С ПРИЗМАТИЧЕСКИМ ХВОСТОВИКОМ И С ПОЛИГОНОМ ДЛЯ ИНСТРУМЕНТА С ХВОСТОВИКОМ HSK 带多边形接口的方杆刀柄

DIN ISO 26623-1



CODE N.	MISURA	L	L1	L2	L3	B	B1	B2	H	H1	H2	T
Q50L125C40R/L	C40	125	100	25	31	42	24	19	50	25	57,5	G 1/8
Q63L145C50R/L	C50	145	118	27	36	64	32	32	64	32	68	G 1/8

POLYGONAL BLANK TOOLHOLDER MANDRINO A STELO TENERO CON ATTACCO POLIGONALE
 POLYGONSCHAFT-ROHLING SEMI-FINIES AVEC ATTACHEMENT POLYGONALE
 ЗАГОТОВКА С ПОЛИГОНАЛЬНЫМ ХВОСТОВИКОМ 多边形空刀柄

DIN69893 A

HRC26-28

CODE N.	ATTACCO SHANK	D1	D	L	L1
C40H165D63	C40	40	63	165	145
C50H150D50	C50	50	50	150	130
C50H150D91	C50	50	91	150	130
C63H180D63	C63	63	63	180	158
C63H100D115	C63	63	115	100	78
C63H75D91	C63	63	91	75	53
C80H200D80	C80	80	80	200	170
C80H140D110	C80	80	110	140	110
C80H160D115	C80	80	115	160	130

02

ASSEMBLY SUPPORTS SUPPORTO DI MONTAGGIO
 MONTAGEBLOCK SUPPORTS D'ASSEMBLAGE
 СТОЙКА ДЛЯ СБОРКИ ИНСТРУМЕНТА 组件支架

DIN ISO 26623-1

It is very useful for all assembly and disassembly operations of the tools on the toolholders, either in horizontal or in vertical position. This process is carried out without any risk to damage casually the tool or the toolholder. It is a very simple system suitable for Din toolholders.

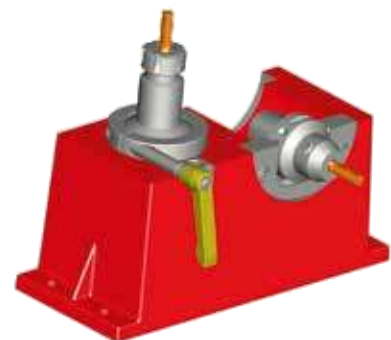
Consente di effettuare tutte le operazioni di montaggio e smontaggio degli utensili sui mandrini, sia in orizzontale che in verticale. Questi procedimenti avvengono con razionalità, sicurezza, rapidità e senza alcun rischio di danneggiare o il mandrino o l'utensile. E' il sistema che offre la massima semplicità d'uso per i mandrini Poligonali.

Dieses unkompliziertes System erlaubt die schnelle und sichere Montage und Demontage von Steilkegelaufnahmen in horizontaler und vertikaler Lage. Das Risiko der Werkzeugbeschädigung ist ausgeschlossen. Es eignet sich natürlich auch für modulare Din-Aufnahmen.

Il permet de effectuer toutes les opérations de montage /assemblage/ demontage des outils sur les Mandrins. Ces proces se déroulent avec rationalité, sûreté, vitesse et sans aucun risque d'endommagement accidentel du mandrin ou de l'outil. C'est un système qui vous offre la plus haute simplicité d'usage et il est bien indiqué pour les Din mandrin.

Приспособление очень удобно для операций сборки и демонтажа инструмента, как в вертикальном, так и в горизонтальном положении. Оно позволяет избежать повреждения оправок или режущего инструмента. Это простое приспособление подходит для монолитных оправок.

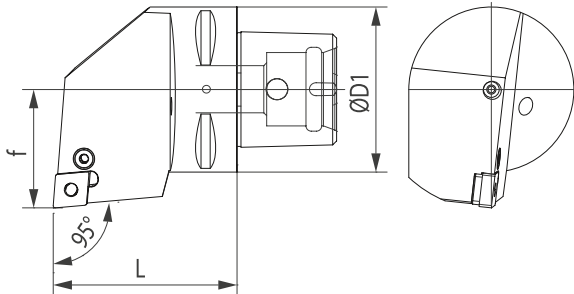
它对于所有将工具以垂直或水平方向安装在刀柄上和从刀柄上拆除，均非常有用。这一过程的执行不会对工具或刀柄产生任何破坏的风险。这一非常简单的系统适用于整体式刀柄。



ATTACK	CODE N.
C32	237-33110
C40	237-33210
C50	237-33310
C63	237-33410
C80	237-33510
C100	237-33610

POLYGONAL TURNING TOOL
 KLEMMHALTER MIT POLYGONSCHAFT
 ДЕРЖАВКА ДЛЯ НАРУЖНОГО ТОЧЕНИЯ DIN
 UTENSILE TORNITURA CON ATTACCO POLIGONALE
 PORTE-OUTIL AVEC ATTACHEMENT POLYGONALE
 多边形车刀

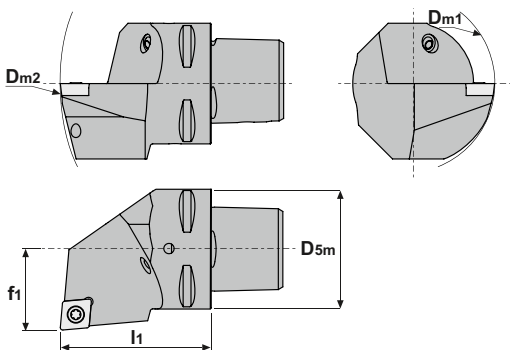
DIN ISO 26623-1 - **PCLN**



CODE N.	ATTACCO SHANK	D1 mm	f mm	L mm	INSERT
C63-PCLNR/L12	C63	63	45	65	CN..1204..

POLYGONAL TURNING TOOL
 KLEMMHALTER MIT POLYGONSCHAFT
 ДЕРЖАВКА ДЛЯ НАРУЖНОГО ТОЧЕНИЯ DIN
 UTENSILE TORNITURA CON ATTACCO POLIGONALE
 PORTE-OUTIL AVEC ATTACHEMENT POLYGONALE
 多边形车刀

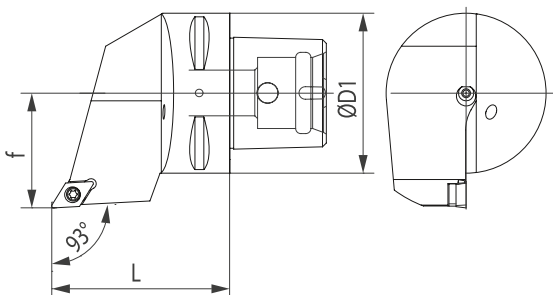
DIN ISO 26623-1 - **SCLC**



CODE N.	ATTACCO SHANK	l1 mm	f1 mm	INSERT
C50-SCLCR/L09	50	60	35	CC..09T3..
C63-SCLCR/L09	63	65	45	CC..09T3..
C63-SCLCR/L12	63	65	45	CC..1204..

POLYGONAL TURNING TOOL
 KLEMMHALTER MIT POLYGONSCHAFT
 ДЕРЖАВКА ДЛЯ НАРУЖНОГО ТОЧЕНИЯ DIN
 UTENSILE TORNITURA CON ATTACCO POLIGONALE
 PORTE-OUTIL AVEC ATTACHEMENT POLYGONALE
 多边形车刀

DIN ISO 26623-1 - **SDJC**

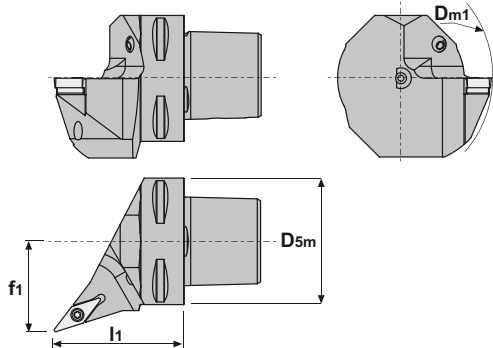


Code N.	ATTACCO SHANK	D1 mm	f mm	L mm	INSERT
C63-SDJCR/L11	C63	63	45	65	DC..11T3..

POLYGONAL TURNING TOOL
KLEMMHALTER MIT POLYGONSCHAFT
ДЕРЖАВКА ДЛЯ НАРУЖНОГО ТОЧЕНИЯ DIN

UTENSILE TORNITURA CON ATTACCO POLIGONALE
PORTE-OUTIL AVEC ATTACHEMENT POLYGONALE
多边形车刀

DIN ISO 26623-1 - SVHB

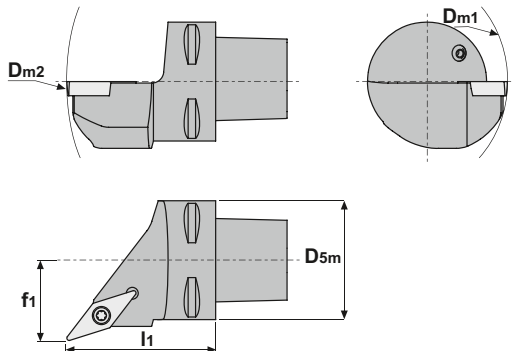


CODE N.	ATTACCO SHANK	l1 mm	f1 mm	INSERT
C63-SVHBR/L16	63	65	45	VBMT1604..

POLYGONAL TURNING TOOL
KLEMMHALTER MIT POLYGONSCHAFT
ДЕРЖАВКА ДЛЯ НАРУЖНОГО ТОЧЕНИЯ DIN

UTENSILE TORNITURA CON ATTACCO POLIGONALE
PORTE-OUTIL AVEC ATTACHEMENT POLYGONALE
多边形车刀

DIN ISO 26623-1 - SVHC

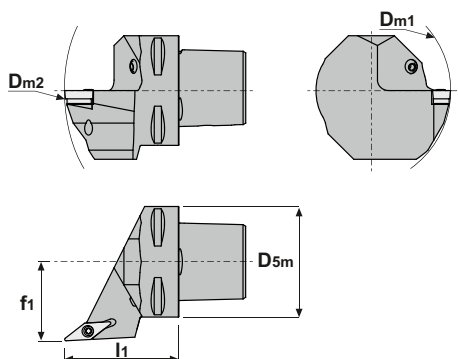


Code N.	ATTACCO SHANK	l1 mm	f1 mm	INSERT
C63-SVHCR/L16	63	65	45	VCMT1604..

POLYGONAL TURNING TOOL
KLEMMHALTER MIT POLYGONSCHAFT
ДЕРЖАВКА ДЛЯ НАРУЖНОГО ТОЧЕНИЯ DIN

UTENSILE TORNITURA CON ATTACCO POLIGONALE
PORTE-OUTIL AVEC ATTACHEMENT POLYGONALE
多边形车刀

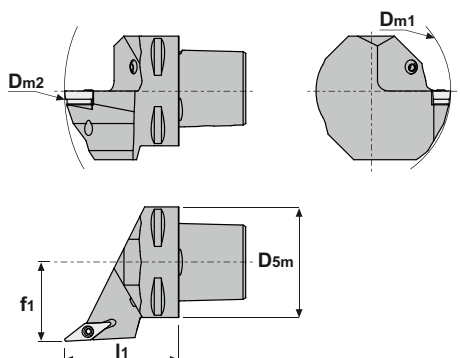
DIN ISO 26623-1 - SVJB



CODE N.	ATTACCO SHANK	l1 mm	f1 mm	INSERT
C63-SVJBR/L16	63	65	45	VBMT1604..

POLYGONAL TURNING TOOL UTENSILE TORNITURA CON ATTACCO POLIGONALE
 KLEMMHALTER MIT POLYGONSCHAFT PORTE-OUTIL AVEC ATTACHEMENT POLYGONALE
 ДЕРЖАВКА ДЛЯ НАРУЖНОГО ТОЧЕНИЯ DIN 多边形车刀

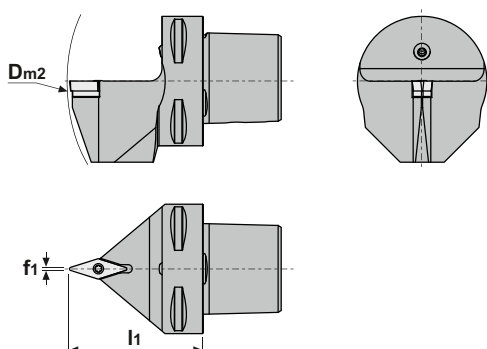
DIN ISO 26623-1 - **SVJC**



CODE N.	ATTACCO SHANK	l1 mm	f1 mm	INSERT
C63-SVJCR/L16	63	65	45	VCMT1604..

POLYGONAL TURNING TOOL UTENSILE TORNITURA CON ATTACCO POLIGONALE
 KLEMMHALTER MIT POLYGONSCHAFT PORTE-OUTIL AVEC ATTACHEMENT POLYGONALE
 ДЕРЖАВКА ДЛЯ НАРУЖНОГО ТОЧЕНИЯ DIN 多边形车刀

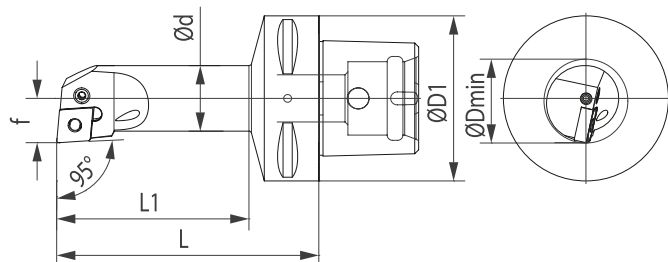
DIN ISO 26623-1 - **SVVC**



CODE N.	ATTACCO SHANK	f1 mm	l1 mm	D2	INSERT
C63-SVVCN16-190	63	0,6	65	190	VCMT1604..

POLYGONAL TURNING TOOL UTENSILE TORNITURA CON ATTACCO POLIGONALE
 KLEMMHALTER MIT POLYGONSCHAFT PORTE-OUTIL AVEC ATTACHEMENT POLYGONALE
 ДЕРЖАВКА ДЛЯ НАРУЖНОГО ТОЧЕНИЯ DIN 多边形车刀

DIN ISO 26623-1 - **PCLN**



CODE N.	ATTACCO SHANK	D min mm	D1 mm	f mm	L mm	L3 mm	d mm	INSERT
C63-25PCLNR/L12	C63	32	63	17	100	74	25	CN..1204..
C63-32PCLNR/L12	C63	40	32	22	110	84	32	CN..1204..