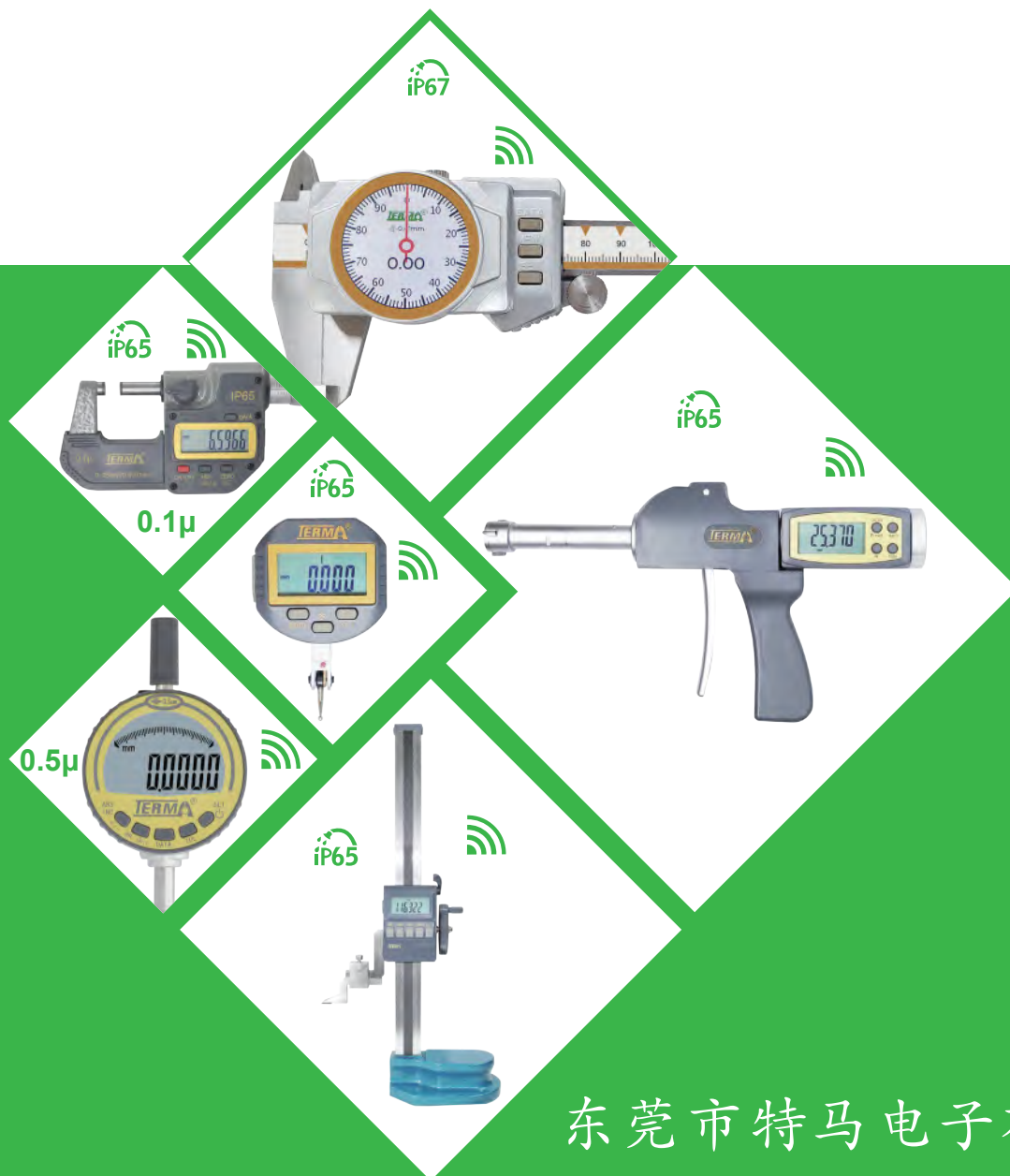




Terma Products Catalogue 2025

特马[®]量具

Terma Tools



东莞市特马电子有限公司

Dongguan City Terma Electronics Co.,Ltd

东莞市特马电子有限公司是一家专业从事精密量具开发、设计、生产、销售、服务为一体的国家高新技术企业。公司全面贯彻推行ISO9001:2015管理体系、国标、DIN标准及其它国际质量标准，在产品开发、生产工艺、生产管理、品质保证及售后服务等方面有着强有力的保障。

本公司始终坚持完善服务，保证品质，满足客户的质量方针。以先进的技术，优良的产品，稳定的质量，全面的服务为宗旨。产品除内销外，还远销欧美、东南亚等国家和地区。

我们为实现管理规范化的，产品质量稳定化的目标不懈努力，我们期待继续获得您和广大客户的合作与支持！

Dongguan City TERMA Electronics Co., Ltd is a high-tech enterprise specializing in the research and development, design, production, sales and service of precision measuring tools. The company fully implements the ISO9001:2015 management system, national standard, DIN quality standards, and other international standards, has strong guarantee in product development, production process, production management, quality assurance and after-sales service, etc.

The company has always adhered to the quality policy of improving service, ensuring quality and satisfying customers. With advanced technology, excellent products, stable quality and comprehensive service as its aim. Besides domestic sales, the products are also exported to Europe, America, Southeast Asia and other countries and regions.

We make unremitting efforts to realize the goal of standardized management and stable product quality, and we look forward to your cooperation and support!



Profile



螺纹磨车间
Spindle Thread Grinding



平面磨车间
Caliper Mechanism Grinding



CNC加工中心
Hi-Speed CNC



超精密磨床
High Precision Grinding Machine



千分尺研磨车间
Micrometer Measuring surface Lapping



千分尺装配车间
Micrometer Assembly



千分尺检验室
Micrometer Inspection



卡尺装配车间
Caliper Assembly



卡尺检验
Caliper Inspection



绑定车间
IC Bonding



千分表装配车间
Micro Indicator Assembly



千分表检验
Micro Indicator Inspection

公司能力 Ability:

- 1.卡尺月产能4万套——40000 set per month for caliper;
- 2.千分尺月产能3万套——30000 set per month for micrometer;
- 3.百分表、千分表月产能1万套——10000 set for digital indicator and digital micro indicator ;
- 4.其它类量具(角度类、圆规、水平仪等)月产能2万套——20000 set per month for other measuring tools (digital protractor、digital compass、digital level and so on)
- 5.芯片设计与封装——IC design and bonding



Rohs测试报告
Rohs Report



CE测试报告
CE Report



Reach测试报告
Reach Report



IP54防水防尘测试报告
IP54 Report



IP65测试 IP65 testing



IP67防水测试报告
IP67 Report



IP67测试 IP67 testing

Contents

A) 数据传输 SPC (Data Transmission)	* * * * *	1-5
B) 卡尺系列 Caliper	* * * * *	6-40
C) 指示表系列 Indicator & Micro Indicator	* * * * *	41-59
D) 孔径测量 Bore Gauge	* * * * *	60-67
E) 高度规系列 Height Gauge	* * * * *	68-70
F) 千分尺系列 Micrometers	* * * * *	71-106
G) 标尺及显示器 Digital Scale and Display	* * * * *	107-114
H) 数显卡规 Digital Thickness Gauge	* * * * *	115-120
J) 水平仪系列 Digital Level	* * * * *	121-122
K) 数显角度尺 Digital Protractor	* * * * *	123-126
L) 其它类 Others	* * * * *	127-130

SPC(Data Transmission)

8通道无线数据传输装置

Wireless data transmission device with 8 channel



发射器:SPC-W1-RS
(5PIN三丰USB-ITN-F)
Transmitting device:
SPC-W1-RS(5PIN/USB-ITN-F)

发射器:SPC-W1-RS1(micro usb)
Transmitting device:
SPC-W1-RS1(micro usb)

发射器:SPC-W1-RS6(Type-C)
Transmitting device:
SPC-W1-RS6(Type-C)

发射器:SPC-W1-RS2
(5PIN三丰USB-ITN-F)
Transmitting device:
SPC-W1-RS2(5PIN/USB-ITN-F)

发射器:SPC-W1-RS3(micro usb)
Transmitting device:
SPC-W1-RS3 (micro usb)

发射器:SPC-W1-RS4
(三丰USB-ITN-A)
Transmitting device:
SPC-W1-RS4(USB-ITN-A)

发射器:SPC-W1-RS5
(三丰USB-ITN-B)
Transmitting device:
SPC-W1-RS5(USB-ITN-B)

可选择
(optional)
脚踏开关:TFS-201
Foot switch:TFS-201
可以和脚踏
配套使用
Can use with
TFS-201



接收器:SPC-W1-RM
Receiver: SPC-W1-RM

- * 数据传输的可靠性高
- * 体积小，便于携带
- * 15米传输距离
- * 指示灯或声控提示
- * 最多可接受8个量具的数据传输
- * 无需安装软件，数据可直接传输到Office软件
- * 可选择输出语言种类
- * 可扩展脚踏开关使用，释放双手

- * High reliability
- * Small size
- * 15 meter valid distance
- * LED or buzzer indicating
- * 8 channels
- * Can use in Office directly
- * Can select language
- * May connect foot-switch, releasing hands

SPC(Data Transmission)

蓝牙数据输出装置
Bluetooth data transmission device



发射器: SPC-W2-RS
(5PIN三丰USB-ITN-F)
Transmitting device:
SPC-W2-RS
(5PIN/USB-ITN-F)

发射器: SPC-W2-RS1(micro usb)
Transmitting device:
SPC-W2-RS1(micro usb)

发射器: SPC-W2-RS6(Type-C)
Transmitting device:
SPC-W2-RS6(Type-C)

发射器: SPC-W2-RS2
(5PIN三丰USB-ITN-F)
Transmitting device:
SPC-W2-RS2
(5PIN/USB-ITN-F)

发射器: SPC-W2-RS3(micro usb)
Transmitting device:
SPC-W2-RS3(micro usb)

发射器: SPC-W2-RS4
(三丰USB-ITN-A)
Transmitting device:
SPC-W2-RS4(USB-ITN-A)

发射器: SPC-W2-RS5
(三丰USB-ITN-B)
Transmitting device:
SPC-W2-RS5(USB-ITN-B)

可选择
(optional)
脚踏开关: TFS-201
Foot switch: TFS-201

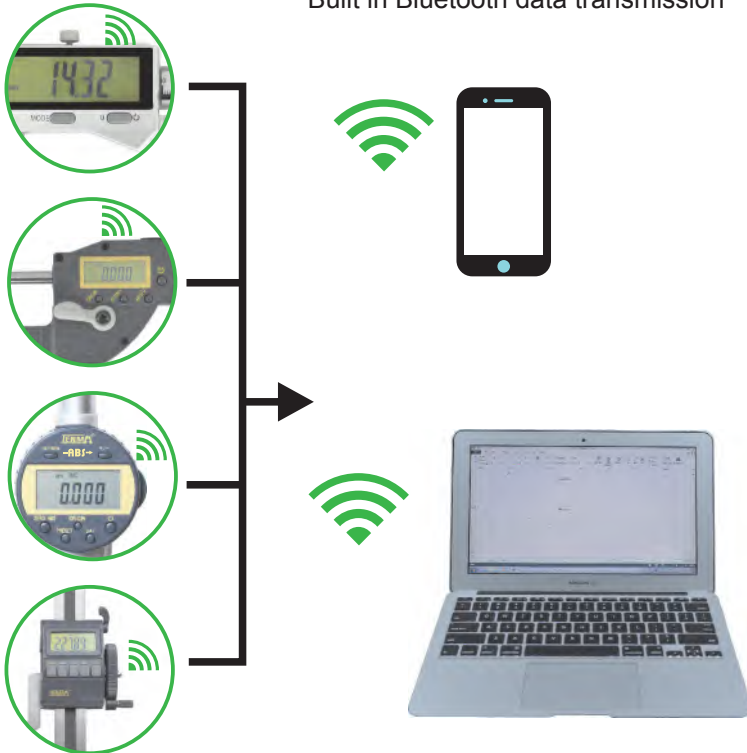


- * 数据传输可靠
- * 体积小, 便于携带
- * 10米传输距离, 无需特殊接收装置, 直接连接设备内置蓝牙
- * 可选择输出语言种类
- * 可扩展脚踏开关使用, 释放双手
- * 数据输出格式可选择:
 1. 键盘格式(Bluetooth Keyboard):
无需专用软件, 数据直接传输到办公软件/手机文本界面
 2. Digital Tools格式:
 - 1) 搭配专用Windows软件(DTR), 数据传输到指定的文档, 直接进行数据分析, 用户也可另行定义数据分析文档
 - 2) 搭配专用的移动端APP, 数据记录有声播报、简约数据分析图表、数据导出(CSV、PDF格式)
- * 免费提供专用Windows软件(DTR)、移动端APP

- * Hi Reliability
- * Small size
- * 10 meters valid distance, connect to the equipment with built-in Bluetooth, no need additional receiving devices
- * Can select languages
- * May connect foot-switch, releasing hands
- * Data transmission format can be selected:
 1. Keyboard format (Bluetooth Keyboard):
No need specialized software, data transmitted to Office or mobile terminate interface directly.
 2. Digital Tools format:
 - 1) Match specialized Windows software (DTR), data transmitted to designated file, analyze data directly, User may define other data analysis file.
 - 2) Match specialized mobile terminate APP, data can be recorded with voice, simplified data analysis chart, data exported (CSV, PDF format).
- * Windows software (DTR) and Mobile terminate APP will be provided with free charge.

SPC(Data Transmission)

内置蓝牙数据传输 Built in Bluetooth data transmission



- * 数据传输可靠
- * 无需外接装置
- * 10米传输距离, 无需特殊接收装置, 直接连接设备内置蓝牙
- * 可选择输出语言种类
- * 数据输出格式可选择:
 - 1.键盘格式(Bluetooth Keyboard): 无需专用软件, 数据直接传输到办公软件/手机文本界面。
 - 2.Digital Tools格式:
 - 1) 搭配专用Windows软件(DTR), 数据传输到指定的文档, 直接进行数据分析, 用户也可另行定义数据分析文档。
 - 2) 搭配专用的移动端APP, 数据记录有声播报、简约数据分析图表、数据导出(CSV、PDF格式)。
- * 免费提供专用Windows软件(DTR)、移动端APP。

- * Hi Reliability
- * No need external devices
- * 10 meters valid distance, connect to the equipment with built-in Bluetooth, no need additional receiving devices
- * Can select languages
- * Data transmission format can be selected:
 - 1.Keyboard format (Bluetooth Keyboard) : No need specialized software, data transmitted to Office or mobile terminate interface directly.
 - 2.Digital Tools format:
 - 1) Match specialized Windows software (DTR), data transmitted to designated file, analyze data directly, User may define other data analysis file.
 - 2) Match specialized mobile terminate APP, data can be recorded with voice, simplified data analysis chart, data exported (CSV, PDF format).
- * Windows software (DTR) and Mobile terminate APP will be provided with free charge.



远距离多通道无线数据传输装置

Wireless data transmission device with multiple channel

- * 人性化SPC界面设计
- * 数据传输的安全性高
- * 体积小, 便于携带
- * 发送器电池寿命长
- * 150米传输距离
- * 指示灯或声控提示
- * 最多可接受120个仪器的数据出传输

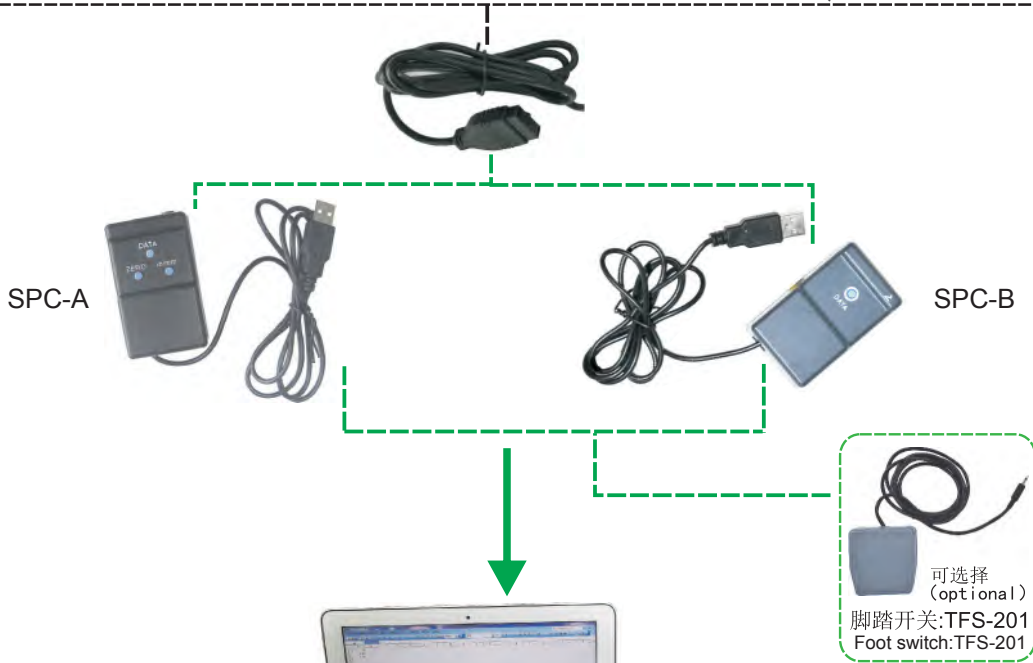
- * Humanized interface
- * High reliability
- * Small size
- * Long life battery
- * 150 meter valid distance
- * LED or buzzer indicating
- * 120 channels

SPC(Data Transmission)

有线数据传输插头 SPC Plug



C-01: Micro 5pin C-02: special plug to incremental caliper C-03: special plug C-04: special plug with button C-05: water proof plug with key C-06: water proof 90° plug with key C-07: special plug (Type-C)



- * 数据传输的安全性高
- * 无需安装软件, 数据可直接传输到Office
- * 可扩展脚踏开关使用, 释放双手
- * High reliability
- * Can use in office system directly
- * May connect foot-switch, releasing hands



SPC(Data Transmission)



SPC-A

相对测量数据线

SPC Cable for incremental measuring tools

- * 适用于相对测量数据格式
- * 无需任何辅助软件，直接在Office中进行数据采集和编辑
- * 按下数据盒上的DATA按钮传送数据(可选脚踏开关)
- * 单次采集数据，支持连续采集数据
- * 与电脑连接：USB接口
- * 与量具连接的接头可选择：
 - C-01：5 pin Micro USB
 - C-02：普通卡尺插头
 - C-03：专用插头
 - C-04：专用带开关插头
- * 可选择输出语言种类

- * Can be used on incremental measuring tools
- * No need additional software, collect and compile data in the Office directly.
- * Press DATA button to transmit data (May select foot-switch)
- * Single data collection and support continuous collect data
- * Connect to computer: USB interface
- * Connectors' type could be selected:
 - C-01: 5-pin Micro USB
 - C-02: special plug to incremental caliper
 - C-03: special plug
 - C-04: special plug with button
- * Can select language



SPC-B

绝对测量数据线

SPC Cable for absolute measuring tools

- * 适用于绝对测量及电感测量数据格式
- * 无需任何辅助软件，直接在Office中进行数据采集和编辑
- * 按下数据盒上的DATA按钮传送数据(可选脚踏开关)
- * 单次采集数据，支持连续采集数据
- * 与电脑连接：USB接口
- * 与量具连接的接头可选择：
 - C-01：5pin Micro USB
 - C-03：专用插头(三丰USB-ITN-F)
 - C-04：专用带开关插头(三丰USB-ITN-C)
 - C-05：防水型带按键直插头(三丰USB-ITN-A)
 - C-06：防水型带按键90°插头(三丰USB-ITN-B)
 - C-07：Type-C
- * 可选择输出语言种类

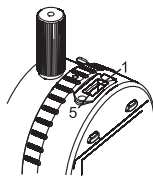
- * Can be used on absolute and inductive measuring tools
- * No need additional software, collect and compile data in the Office directly.
- * Press DATA button to transmit data (May select foot-switch)
- * Single data collection and support continuous collect data
- * Connect to computer: USB interface
- * Connectors' type could be selected:
 - C-01: 5-pin Micro USB
 - C-03: special plug
 - C-04: special plug with button
 - C-05: water proof plug with key
 - C-06: water proof 90° plug with key
 - C-07: Type-C
- * Can select language

绝对测量数据通讯格式

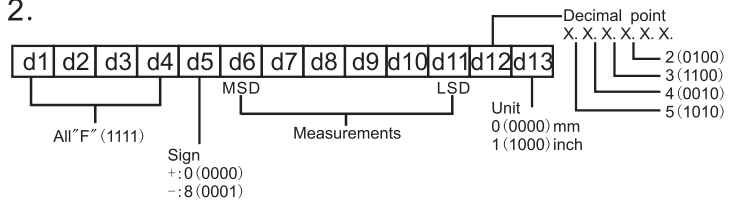
Absolute Communication Format

1.

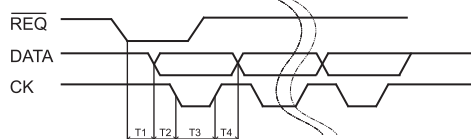
Pin No.	Signal	I/O
1	GND	-
2	DATA	O
3	CK	O
4	N. C.	-
5	REQ	I



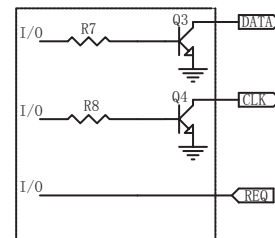
2.



3.



0ms ≤ T1 ≤ 93.75ms
110 μs ≤ T2 ≤ 140 μs (Typ: 122 μs)
110 μs ≤ T3 ≤ 140 μs (Typ: 122 μs)
230 μs ≤ T4 ≤ 260 μs (Typ: 244 μs)



IP67 Water-Proof Color Screen Digital Caliper with inductive measuring system

高防护，可靠性更好
High-protection, reliable



ZL 201921031913.4

CDE210
CDE210W

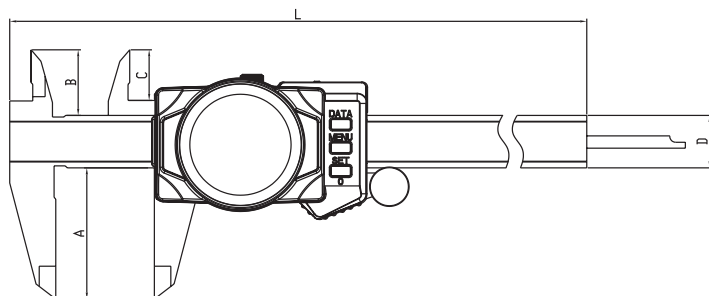
六种分度显示

Six kinds of resolution display



- * 全表盘电子指针显示，彩色LCD显示屏，金属壳体
- * 精研的不锈钢淬硬尺身，拉动顺滑
- * 电感测量系统，IP67防护等级，防护性能优异
- * 电子指针与数码同步指示
- * 显示面板样式可换 ①全表盘电子指针显示 ②纯数码显示
- * 三档亮度背光屏幕，六档息屏时间
- * 可设置公差，并进行GO/NG判断
- * 示值锁定(不支持与INC、TOL同时启用)
- * 内置充电锂电池，磁吸式充电接口，充电方便、快捷
- * 可选择内置蓝牙数据传输(可选)

- * Full screen electronic pointer display, color LCD, metal house
- * Fine lapping and hardened stainless steel beam, smooth movement
- * Inductive measurement system, IP67 protection grade, excellent protection performance
- * Electronic pointer and digit display simultaneously
- * The display mode can be changed among full screen electronic pointer display only digit display or digit and electronic pointer display simultaneously
- * Backlight display with three kinds of brightness and six kinds of power off time
- * Tolerance set and GO/NG indication
- * LCD data hold function(unavailable on INC, TOL Mode)
- * Built-in rechargeable lithium battery, magnetic charging port, convenient and fast
- * Built-in bluetooth (optional)



	A(mm)	B(mm)	C(mm)	L(mm)
0-100mm	40	20	15.5	185
0-150mm	40	20	15.5	235
0-200mm	50	24	19.5	287
0-300mm	60	26	21.5	390

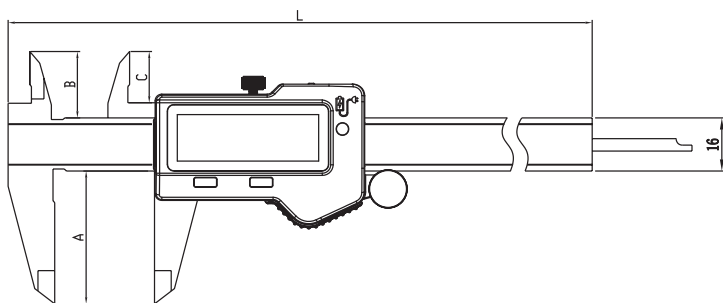
货号 Item	规格 SPEC	分辨率 Resolution	精度(公差带) Accuracy(Tolerance Range)
CDE210-100/CDE210W-100	0-100mm/0-4"	0.01mm/0.0005"/1/128"	0.02mm/0.001"
CDE210-150/CDE210W-150	0-150mm/0-6"	0.01mm/0.0005"/1/128"	0.02mm/0.001"
CDE210-200/CDE210W-200	0-200mm/0-8"	0.01mm/0.0005"/1/128"	0.03mm/0.0015"
CDE210-300/CDE210W-300	0-300mm/0-12"	0.01mm/0.0005"/1/128"	0.03mm/0.0015"

IP67 Water-Proof Digital Caliper with inductive measuring system



- * 电感测量系统
- * IP67防护等级，确保卡尺在恶劣的环境中也能可靠工作
- * 内置充电锂电池，磁吸充电
- * 内置无线数据输出(可选)

- * Inductive measurement system
- * IP67 protection grade, caliper can work reliably in hard environment
- * Built-in rechargeable lithium battery, magnetic charging port
- * Built in bluetooth transmission (optional)



	A(mm)	B(mm)	C(mm)	L(mm)
0-100mm	40	20	15.5	185
0-150mm	40	20	15.5	235
0-200mm	50	24	19.5	287
0-300mm	60	26	21.5	390



货号 Item	规格 SPEC	分辨率 Resolution	精度(公差带) Accuracy(Tolerance Range)
CDE176-100/CDE176W-100	0-100mm/0-4"	0.01mm/0.0005"	0.02mm/0.001"
CDE176-150/CDE176W-150	0-150mm/0-6"	0.01mm/0.0005"	0.02mm/0.001"
CDE176-200/CDE176W-200	0-200mm/0-8"	0.01mm/0.0005"	0.03mm/0.0015"
CDE176-300/CDE176W-300	0-300mm/0-12"	0.01mm/0.0005"	0.03mm/0.0015"
CDE176F-100/CDE176FW-100	0-100mm/0-4"	0.01mm/0.0005"/1/128"	0.02mm/0.001"
CDE176F-150/CDE176FW-150	0-150mm/0-6"	0.01mm/0.0005"/1/128"	0.02mm/0.001"
CDE176F-200/CDE176FW-200	0-200mm/0-8"	0.01mm/0.0005"/1/128"	0.03mm/0.0015"
CDE176F-300/CDE176FW-300	0-300mm/0-12"	0.01mm/0.0005"/1/128"	0.03mm/0.0015"

IP67 Water-Proof Digital Caliper with inductive measuring system



CDE200M
CDE200MW



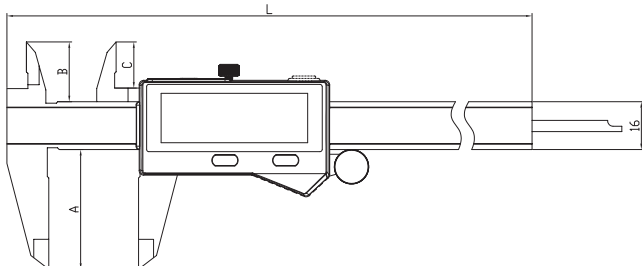
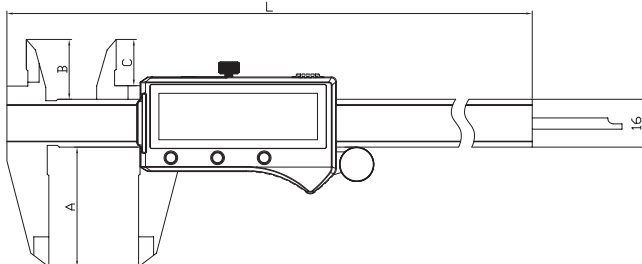
CDE110M
CDE110MW

IP67

高防护，可靠性更好
High-protection, reliable

1μ

任意1mm精度5μm
Accuracy 5μm in each 1mm



- * 电感测量系统
- * IP67防护等级，确保卡尺在恶劣的环境中也能可靠工作
- * 3V锂电池CR2032，电池寿命>1年
- * 内置蓝牙无线传输(可选择)
- * 分辨率0.001mm，任意1mm精度5μm

- * Inductive measurement system
- * IP67 protection grade, caliper can work reliably in hard environment
- * 3V Lithium battery CR2032, battery life > 1 year
- * Built in bluetooth transmission (optional)
- * Resolution 0.001mm, accuracy 5μm in each 1mm

	A(mm)	B(mm)	C(mm)	L(mm)
0-100mm	40	20	15.5	185
0-150mm	40	20	15.5	235
0-200mm	50	24	19.5	287
0-300mm	60	26	21.5	390

货号 Item	规格 SPEC	分辨率 Resolution	精度(公差带) Accuracy(Tolerance Range)
CDE200M-100/CDE200MW-100	0-100mm/0-4"	0.001mm/0.00005"	0.010mm/0.0004"
CDE200M-150/CDE200MW-150	0-150mm/0-6"	0.001mm/0.00005"	0.010mm/0.0004"
CDE200M-200/CDE200MW-200	0-200mm/0-8"	0.001mm/0.00005"	0.020mm/0.0008"
CDE200M-300/CDE200MW-300	0-300mm/0-12"	0.001mm/0.00005"	0.020mm/0.0008"
CDE110M-100/CDE110MW-100	0-100mm/0-4"	0.001mm/0.00005"	0.010mm/0.0004"
CDE110M-150/CDE110MW-150	0-150mm/0-6"	0.001mm/0.00005"	0.010mm/0.0004"
CDE110M-200/CDE110MW-200	0-200mm/0-8"	0.001mm/0.00005"	0.020mm/0.0008"
CDE110M-300/CDE110MW-300	0-300mm/0-12"	0.001mm/0.00005"	0.020mm/0.0008"

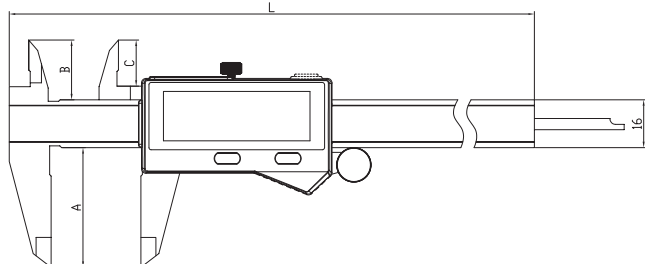
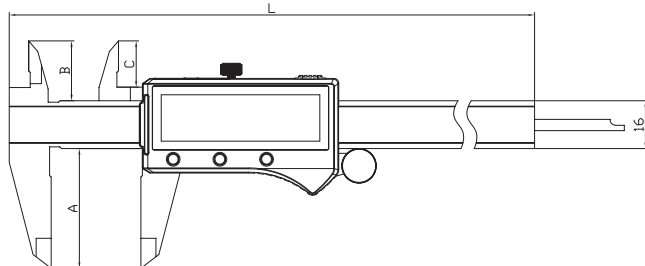
IP67 Water-Proof Digital Caliper with inductive measuring system



高防护，可靠性更好
High-protection, reliable



CDE200F/CDE200FW
CDE110F/CDE110FW



- * 电感测量系统
- * IP67防护等级，确保卡尺在恶劣的环境中也能可靠工作
- * 3V锂电池CR2032，电池寿命>1年
- * 内置蓝牙无线传输(可选择)
- * 分数显示(可选择)

- * Inductive measurement system
- * IP67 protection grade, caliper can work reliably in hard environment
- * 3V Lithium battery CR2032, battery life> 1 year
- * Built in bluetooth transmission (optional)
- * Fraction (optional)

	A(mm)	B(mm)	C(mm)	L(mm)
0-100mm	40	20	15.5	185
0-150mm	40	20	15.5	235
0-200mm	50	24	19.5	287
0-300mm	60	26	21.5	390

货号 Item	规格 SPEC	分辨率 Resolution	精度(公差带) Accuracy(Tolerance Range)
CDE200-100/CDE200W-100	0-100mm/0-4"	0.01mm/0.0005"	0.02mm/0.001"
CDE200-150/CDE200W-150	0-150mm/0-6"	0.01mm/0.0005"	0.02mm/0.001"
CDE200-200/CDE200W-200	0-200mm/0-8"	0.01mm/0.0005"	0.03mm/0.0015"
CDE200-300/CDE200W-300	0-300mm/0-12"	0.01mm/0.0005"	0.03mm/0.0015"
CDE110-100/CDE110W-100	0-100mm/0-4"	0.01mm/0.0005"	0.02mm/0.001"
CDE110-150/CDE110W-150	0-150mm/0-6"	0.01mm/0.0005"	0.02mm/0.001"
CDE110-200/CDE110W-200	0-200mm/0-8"	0.01mm/0.0005"	0.03mm/0.0015"
CDE110-300/CDE110W-300	0-300mm/0-12"	0.01mm/0.0005"	0.03mm/0.0015"
CDE200F-100/CDE200FW-100	0-100mm/0-4"	0.01mm/0.0005"/1/128"	0.02mm/0.001"
CDE200F-150/CDE200FW-150	0-150mm/0-6"	0.01mm/0.0005"/1/128"	0.02mm/0.001"
CDE200F-200/CDE200FW-200	0-200mm/0-8"	0.01mm/0.0005"/1/128"	0.03mm/0.0015"
CDE200F-300/CDE200FW-300	0-300mm/0-12"	0.01mm/0.0005"/1/128"	0.03mm/0.0015"
CDE110F-100/CDE110FW-100	0-100mm/0-4"	0.01mm/0.0005"/1/128"	0.02mm/0.001"
CDE110F-150/CDE110FW-150	0-150mm/0-6"	0.01mm/0.0005"/1/128"	0.02mm/0.001"
CDE110F-200/CDE110FW-200	0-200mm/0-8"	0.01mm/0.0005"/1/128"	0.03mm/0.0015"
CDE110F-300/CDE110FW-300	0-300mm/0-12"	0.01mm/0.0005"/1/128"	0.03mm/0.0015"

IP67 Water-Proof Digital Caliper with inductive measuring system



锌合金罩壳
Zinc Alloy Housing



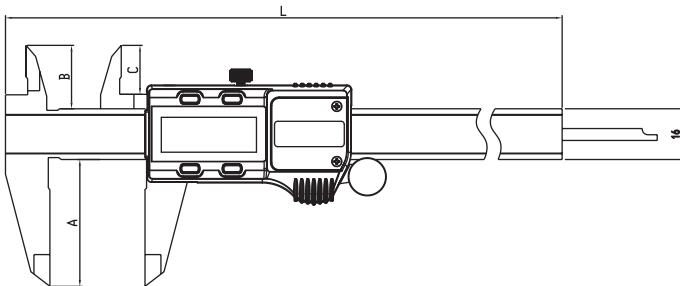
CDE185



CDE185F

- * 电感测量系统
- * IP67防护等级，确保卡尺在恶劣的环境中也能可靠工作
- * 3V锂电池CR2032，电池寿命>1年
- * 尺身优质不锈钢材质，真空淬火，硬度均匀，耐磨，使用寿命长

- * Inductive measurement system.
- * IP67 protection grade, caliper can work reliably in hard environment.
- * 3V Lithium battery CR2032, battery life > 1 year.
- * High-quality stainless steel with vacuum quenching, uniform hardness, high-wearing resistance and long service life.



	A(mm)	B(mm)	C(mm)	L(mm)
0-100mm	40	20	15.5	185
0-150mm	40	20	15.5	235
0-200mm	50	24	19.5	287
0-300mm	60	26	21.5	390

货号 Item	规格 SPEC	分辨率 Resolution	精度(公差带) Accuracy(Tolerance Range)
CDE185-100	0-100mm/0-4"	0.01mm/0.0005"	0.02mm/0.001"
CDE185-150	0-150mm/0-6"	0.01mm/0.0005"	0.02mm/0.001"
CDE185-200	0-200mm/0-8"	0.01mm/0.0005"	0.03mm/0.0015"
CDE185-300	0-300mm/0-12"	0.01mm/0.0005"	0.03mm/0.0015"
CDE185F-100	0-100mm/0-4"	0.01mm/0.0005"/1/128"	0.02mm/0.001"
CDE185F-150	0-150mm/0-6"	0.01mm/0.0005"/1/128"	0.02mm/0.001"
CDE185F-200	0-200mm/0-8"	0.01mm/0.0005"/1/128"	0.03mm/0.0015"
CDE185F-300	0-300mm/0-12"	0.01mm/0.0005"/1/128"	0.03mm/0.0015"

IP67 Water-Proof Digital Caliper with inductive measuring system



高防护, 可靠性更好
High-protection, reliable

- * 电感测量系统
- * IP67防护等级, 确保卡尺在恶劣的环境中也能可靠工作
- * 3V锂电池CR2032, 电池寿命>1年
- * 分数显示(可选择)

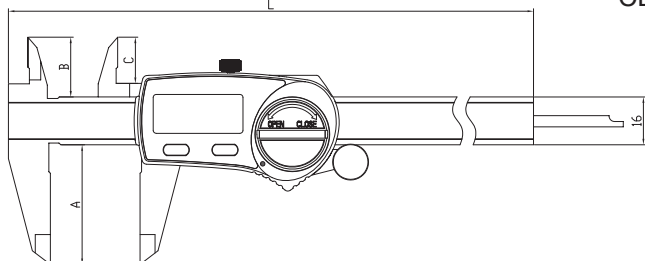
- * Inductive measurement system
- * IP67 protection grade, caliper can work reliably in hard environment
- * 3V Lithium battery CR2032, battery life> 1 year
- * Fraction (optional)



CDE100



CDE100F



	A(mm)	B(mm)	C(mm)	L(mm)
0-100mm	40	20	15.5	185
0-150mm	40	20	15.5	235
0-200mm	50	24	19.5	287
0-300mm	60	26	21.5	390

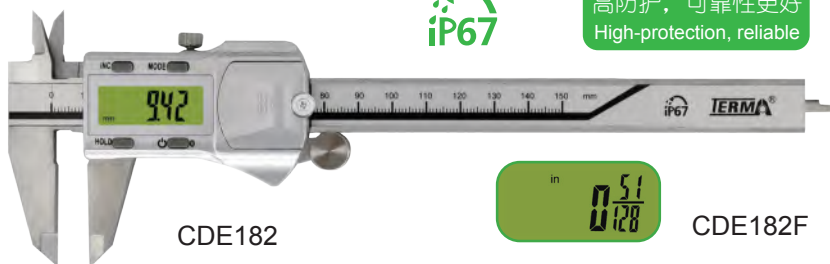
货号 Item	规格 SPEC	分辨率 Resolution	精度(公差带) Accuracy(Tolerance Range)
CDE100-100	0-100mm/0-4"	0.01mm/0.0005"	0.02mm/0.001"
CDE100-150	0-150mm/0-6"	0.01mm/0.0005"	0.02mm/0.001"
CDE100-200	0-200mm/0-8"	0.01mm/0.0005"	0.03mm/0.0015"
CDE100-300	0-300mm/0-12"	0.01mm/0.0005"	0.03mm/0.0015"
CDE100F-100	0-100mm/0-4"	0.01mm/0.0005"/1/128"	0.02mm/0.001"
CDE100F-150	0-150mm/0-6"	0.01mm/0.0005"/1/128"	0.02mm/0.001"
CDE100F-200	0-200mm/0-8"	0.01mm/0.0005"/1/128"	0.03mm/0.0015"
CDE100F-300	0-300mm/0-12"	0.01mm/0.0005"/1/128"	0.03mm/0.0015"



高防护, 可靠性更好
High-protection, reliable

- * 电感测量系统
- * IP67防护等级, 确保卡尺在恶劣的环境中也能可靠工作
- * 3V锂电池CR2032, 电池寿命>1年
- * 分数显示(可选择)

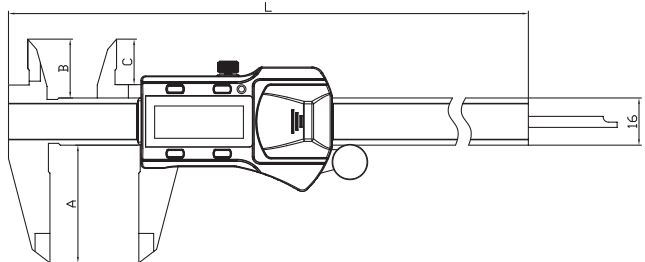
- * Inductive measurement system
- * IP67 protection grade, caliper can work reliably in hard environment
- * 3V Lithium battery CR2032, battery life> 1 year
- * Fraction (optional)



CDE182



CDE182F



	A(mm)	B(mm)	C(mm)	L(mm)
0-100mm	40	20	15.5	185
0-150mm	40	20	15.5	235
0-200mm	50	24	19.5	287
0-300mm	60	26	21.5	390

货号 Item	规格 SPEC	分辨率 Resolution	精度(公差带) Accuracy(Tolerance Range)
CDE182-100	0-100mm/0-4"	0.01mm/0.0005"	0.02mm/0.001"
CDE182-150	0-150mm/0-6"	0.01mm/0.0005"	0.02mm/0.001"
CDE182-200	0-200mm/0-8"	0.01mm/0.0005"	0.03mm/0.0015"
CDE182-300	0-300mm/0-12"	0.01mm/0.0005"	0.03mm/0.0015"
CDE182F-100	0-100mm/0-4"	0.01mm/0.0005"/1/128"	0.02mm/0.001"
CDE182F-150	0-150mm/0-6"	0.01mm/0.0005"/1/128"	0.02mm/0.001"
CDE182F-200	0-200mm/0-8"	0.01mm/0.0005"/1/128"	0.03mm/0.0015"
CDE182F-300	0-300mm/0-12"	0.01mm/0.0005"/1/128"	0.03mm/0.0015"

IP65 Water-Proof Digital Caliper with inductive measuring system



高分辨率, 高精度
High resolution, precision

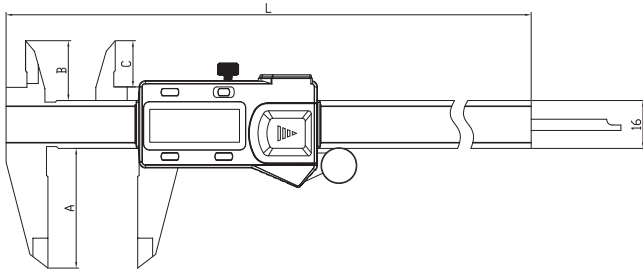
SPC
数据输出

SPC-B+C-04
SPC-W1-RS,RS2
SPC-W2-RS,RS2
SPC-W3-RS

CDA100

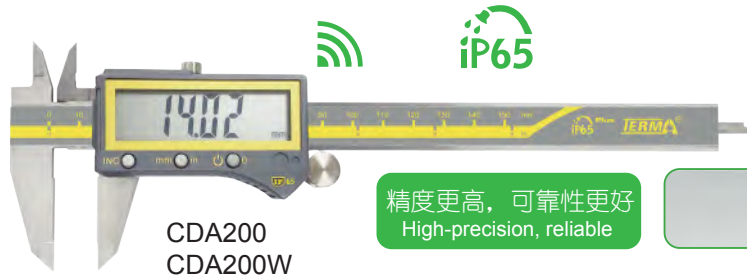
- * 电感测量系统
- * IP65防护等级
- * 3V锂电池CR2032, 电池寿命>1年
- * 带SPC数据接口
- * 分辨率0.005mm/0.01mm转换

- * Inductive measurement system
- * Protection grade IP65
- * 3V Lithium battery CR2032, battery life > 1 year
- * SPC data output
- * Resolution 0.005mm/0.01mm

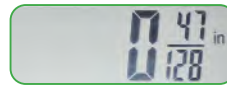


	A(mm)	B(mm)	C(mm)	L(mm)
0-100mm	40	20	15.5	185
0-150mm	40	20	15.5	235
0-200mm	50	24	19.5	287
0-300mm	60	26	21.5	390

货号 Item	规格 SPEC	分辨率 Resolution	精度(公差带) Accuracy(Tolerance Range)
CDA100-100	0-100mm/0-4"	0.005mm/0.0005"	0.02mm/0.001"
CDA100-150	0-150mm/0-6"	0.005mm/0.0005"	0.02mm/0.001"
CDA100-200	0-200mm/0-8"	0.005mm/0.0005"	0.03mm/0.0015"
CDA100-300	0-300mm/0-12"	0.005mm/0.0005"	0.03mm/0.0015"



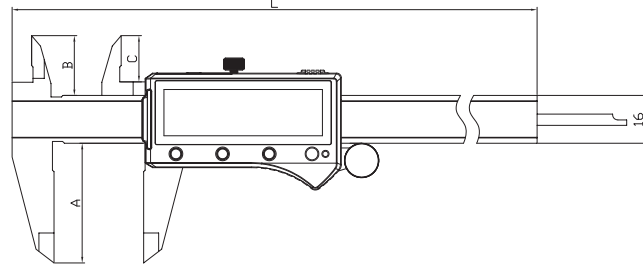
精度更高, 可靠性更好
High-precision, reliable



CDA200
CDA200W

- * 电感测量系统
- * IP65防护等级
- * 3V锂电池CR2032, 电池寿命>1年
- * 内置无线接口(可选择)
- * 分数显示(可选择)

- * Inductive measurement system
- * Protection grade IP65
- * 3V Lithium battery CR2032, battery life > 1 year
- * Built in bluetooth transmission(optional)
- * Fraction (optional)



CDA200F
CDA200FW

	A(mm)	B(mm)	C(mm)	L(mm)
0-100mm	40	20	15.5	185
0-150mm	40	20	15.5	235
0-200mm	50	24	19.5	287
0-300mm	60	26	21.5	390

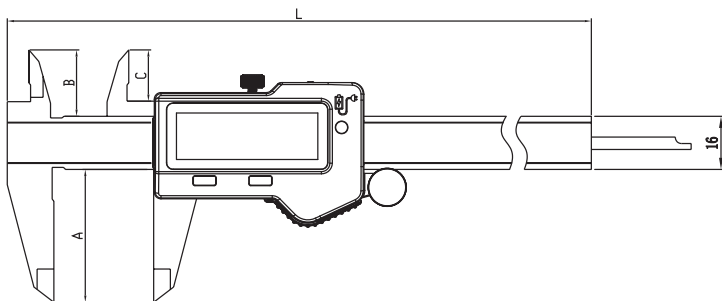
货号 Item	规格 SPEC	分辨率 Resolution	精度(公差带) Accuracy(Tolerance Range)
CDA200-100/CDA200W-100	0-100mm/0-4"	0.01mm/0.0005"	0.02mm/0.001"
CDA200-150/CDA200W-150	0-150mm/0-6"	0.01mm/0.0005"	0.02mm/0.001"
CDA200-200/CDA200W-200	0-200mm/0-8"	0.01mm/0.0005"	0.03mm/0.0015"
CDA200-300/CDA200W-300	0-300mm/0-12"	0.01mm/0.0005"	0.03mm/0.0015"
CDA200F-100/CDA200FW-100	0-100mm/0-4"	0.01mm/0.0005"/1/128"	0.02mm/0.001"
CDA200F-150/CDA200FW-150	0-150mm/0-6"	0.01mm/0.0005"/1/128"	0.02mm/0.001"
CDA200F-200/CDA200FW-200	0-200mm/0-8"	0.01mm/0.0005"/1/128"	0.03mm/0.0015"
CDA200F-300/CDA200FW-300	0-300mm/0-12"	0.01mm/0.0005"/1/128"	0.03mm/0.0015"

IP54 Recharge Digital Caliper with Incremental Capacitive System



- * 相对式容栅测量系统
- * 玻璃定栅
- * IP54防护等级
- * 大屏显示
- * 内置充电锂电池，磁吸充电
- * 内置无线数据输出(可选)

- * Incremental capacitive measurement system
- * Glass scale
- * IP54 Protection grade
- * Large display
- * Built-in rechargeable lithium battery, magnetic charging port
- * Built-in bluetooth data transmission (optional)



	A(mm)	B(mm)	C(mm)	L(mm)
0-100mm	40	20	15.5	185
0-150mm	40	20	15.5	235
0-200mm	50	24	19.5	287
0-300mm	60	26	21.5	390



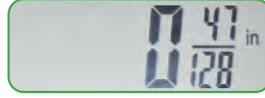
货号 Item	规格 SPEC	分辨率 Resolution	精度(公差带) Accuracy(Tolerance Range)
CD176-100/CD176W-100	0-100mm/0-4"	0.01mm/0.0005"	0.02mm/0.001"
CD176-150/CD176W-150	0-150mm/0-6"	0.01mm/0.0005"	0.02mm/0.001"
CD176-200/CD176W-200	0-200mm/0-8"	0.01mm/0.0005"	0.03mm/0.0015"
CD176-300/CD176W-300	0-300mm/0-12"	0.01mm/0.0005"	0.03mm/0.0015"
CD176F-100/CD176FW-100	0-100mm/0-4"	0.01mm/0.0005"/1/128"	0.02mm/0.001"
CD176F-150/CD176FW-150	0-150mm/0-6"	0.01mm/0.0005"/1/128"	0.02mm/0.001"
CD176F-200/CD176FW-200	0-200mm/0-8"	0.01mm/0.0005"/1/128"	0.03mm/0.0015"
CD176F-300/CD176FW-300	0-300mm/0-12"	0.01mm/0.0005"/1/128"	0.03mm/0.0015"

Digital Caliper with Incremental Capacitive system

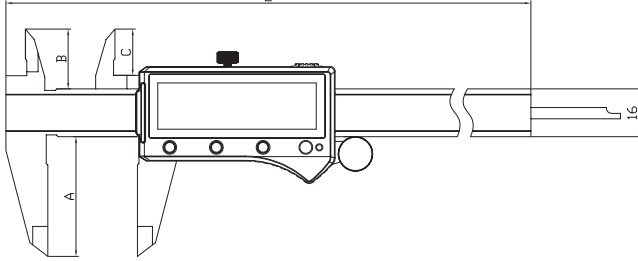
精度更高，可靠性更好
High-precision, reliable



CD200



CD200F

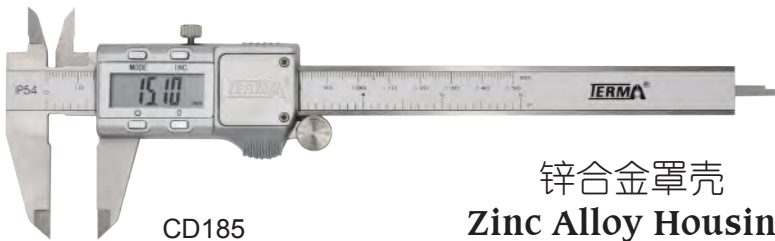


- * 相对式容栅测量系统
- * 玻璃定栅
- * IP54防护等级
- * 3V锂电池CR2032, 电池寿命>1年
- * 分数显示(可选择)
- * 大屏显示

- * Incremental capacitive measurement system
- * Glass scale
- * IP54 Protection grade
- * 3V Lithium battery CR2032, battery life > 1 year
- * Fraction (optional)
- * Large display

	A(mm)	B(mm)	C(mm)	L(mm)
0-100mm	40	20	15.5	185
0-150mm	40	20	15.5	235
0-200mm	50	24	19.5	287
0-300mm	60	26	21.5	390

货号 Item	规格 SPEC	分辨率 Resolution	精度(公差带) Accuracy(Tolerance Range)
CD200-100	0-100mm/0-4"	0.01mm/0.0005"	0.02mm/0.001"
CD200-150	0-150mm/0-6"	0.01mm/0.0005"	0.02mm/0.001"
CD200-200	0-200mm/0-8"	0.01mm/0.0005"	0.03mm/0.0015"
CD200-300	0-300mm/0-12"	0.01mm/0.0005"	0.03mm/0.0015"
CD200F-100	0-100mm/0-4"	0.01mm/0.0005"/1/128"	0.02mm/0.001"
CD200F-150	0-150mm/0-6"	0.01mm/0.0005"/1/128"	0.02mm/0.001"
CD200F-200	0-200mm/0-8"	0.01mm/0.0005"/1/128"	0.03mm/0.0015"
CD200F-300	0-300mm/0-12"	0.01mm/0.0005"/1/128"	0.03mm/0.0015"



CD185

锌合金罩壳
Zinc Alloy Housing

- * 相对式容栅测量系统
- * IP54防护等级
- * 玻璃定栅
- * 3V锂电池CR2032, 电池寿命>1年
- * 高精度, 快速显示
- * 尺身优质不锈钢材质, 真空淬火, 硬度均匀, 耐磨, 使用寿命长

- * Incremental capacitive measurement system
- * IP54 protection grade
- * Glass scale
- * 3V Lithium battery CR2032, battery life > 1 year
- * High accuracy, Quick display
- * High-quality stainless steel with vacuum quenching, uniform hardness, high-wearing resistance and long service life.

	A(mm)	B(mm)	C(mm)	L(mm)
0-100mm	40	20	15.5	185
0-150mm	40	20	15.5	235
0-200mm	50	24	19.5	287
0-300mm	60	26	21.5	390

货号 Item	规格 SPEC	分辨率 Resolution	精度(公差带) Accuracy(Tolerance Range)
CD185-100	0-100mm/0-4"	0.01mm/0.0005"	0.02mm/0.001"
CD185-150	0-150mm/0-6"	0.01mm/0.0005"	0.02mm/0.001"
CD185-200	0-200mm/0-8"	0.01mm/0.0005"	0.03mm/0.0015"
CD185-300	0-300mm/0-12"	0.01mm/0.0005"	0.03mm/0.0015"

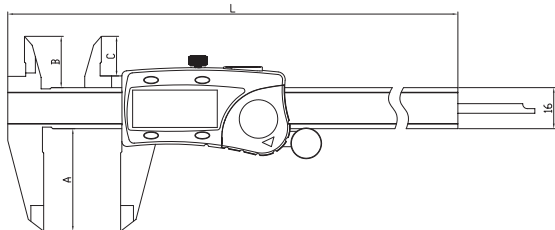
Digital Caliper with Incremental Capacitive system

μ

高分辨率
High resolution



CD520



- * 相对式容栅测量系统
- * 玻璃定栅
- * IP54防护等级
- * 3V锂电池CR2032, 电池寿命>1年
- * 大屏显示
- * 分辨率0.005mm

- * Incremental capacitive measurement system
- * Glass scale
- * IP54 Protection grade
- * 3V Lithium battery CR2032, battery life > 1 year
- * Large display
- * Resolution 0.005mm

	A(mm)	B(mm)	C(mm)	L(mm)
0-100mm	40	20	15.5	185
0-150mm	40	20	15.5	235
0-200mm	50	24	19.5	287
0-300mm	60	26	21.5	390

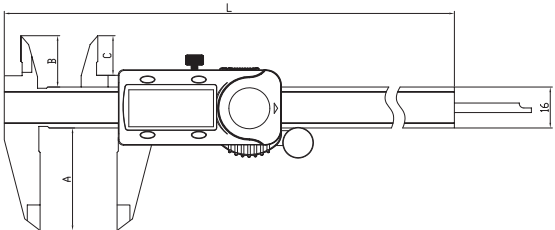
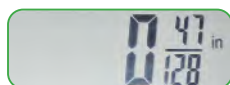
货号 Item	规格 SPEC	分辨率 Resolution	精度(公差带) Accuracy(Tolerance Range)
CD520-100	0-100mm/0-4"	0.005mm/0.0005"	0.02mm/0.001"
CD520-150	0-150mm/0-6"	0.005mm/0.0005"	0.02mm/0.001"
CD520-200	0-200mm/0-8"	0.005mm/0.0005"	0.03mm/0.0015"
CD520-300	0-300mm/0-12"	0.005mm/0.0005"	0.03mm/0.0015"

μ

高分辨率
High resolution



CD730/CD730F



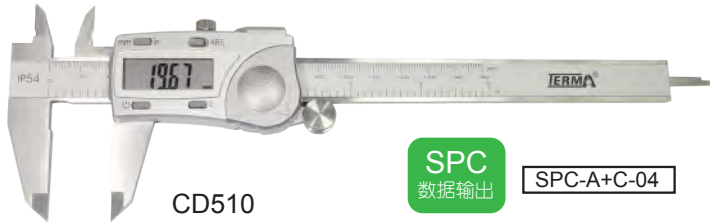
- * 相对式容栅测量系统
- * 玻璃定栅
- * IP54防护等级
- * 3V锂电池CR2032, 电池寿命>1年
- * 大屏显示
- * 分辨率0.005mm或分数显示

- * Incremental capacitive measurement system
- * Glass scale
- * IP54 Protection grade
- * 3V Lithium battery CR2032, battery life > 1 year
- * Large display
- * Resolution 0.005mm or fraction

	A(mm)	B(mm)	C(mm)	L(mm)
0-100mm	40	20	15.5	185
0-150mm	40	20	15.5	235
0-200mm	50	24	19.5	287
0-300mm	60	26	21.5	390

货号 Item	规格 SPEC	分辨率 Resolution	精度(公差带) Accuracy(Tolerance Range)
CD730-100	0-100mm/0-4"	0.005mm/0.0005"	0.02mm/0.001"
CD730-150	0-150mm/0-6"	0.005mm/0.0005"	0.02mm/0.001"
CD730-200	0-200mm/0-8"	0.005mm/0.0005"	0.03mm/0.0015"
CD730-300	0-300mm/0-12"	0.005mm/0.0005"	0.03mm/0.0015"
CD730F-100	0-100mm/0-4"	0.01mm/0.0005"/1/128"	0.02mm/0.001"
CD730F-150	0-150mm/0-6"	0.01mm/0.0005"/1/128"	0.02mm/0.001"
CD730F-200	0-200mm/0-8"	0.01mm/0.0005"/1/128"	0.03mm/0.0015"
CD730F-300	0-300mm/0-12"	0.01mm/0.0005"/1/128"	0.03mm/0.0015"

Digital Caliper with Incremental Capacitive system



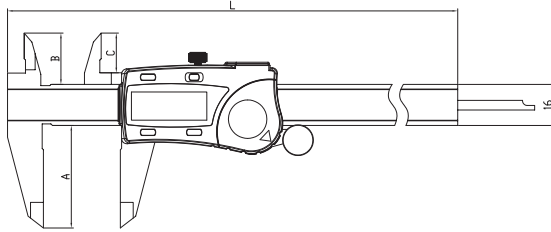
CD510

SPC
数据输出

SPC-A+C-04

- * 相对式容栅测量系统
- * 玻璃定栅
- * IP54防护等级
- * 3V锂电池CR2032, 电池寿命>1年
- * 数据输出

- * Incremental capacitive measurement system
- * Glass scale
- * IP54 Protection grade
- * 3V Lithium battery CR2032, battery life > 1 year
- * Data output



	A(mm)	B(mm)	C(mm)	L(mm)
0-100mm	40	20	15.5	185
0-150mm	40	20	15.5	235
0-200mm	50	24	19.5	287
0-300mm	60	26	21.5	390

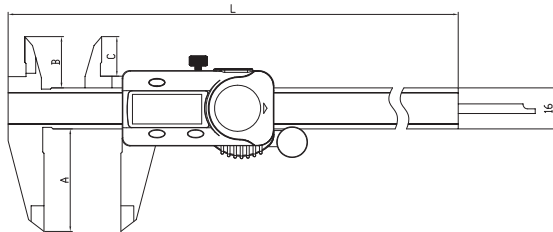
货号 Item	规格 SPEC	分辨率 Resolution	精度(公差带) Accuracy(Tolerance Range)
CD510-100	0-100mm/0-4"	0.01mm/0.0005"	0.02mm/0.001"
CD510-150	0-150mm/0-6"	0.01mm/0.0005"	0.02mm/0.001"
CD510-200	0-200mm/0-8"	0.01mm/0.0005"	0.03mm/0.0015"
CD510-300	0-300mm/0-12"	0.01mm/0.0005"	0.03mm/0.0015"



CD710

- * 相对式容栅测量系统
- * 玻璃定栅
- * IP54防护等级
- * 3V锂电池CR2032, 电池寿命>1年

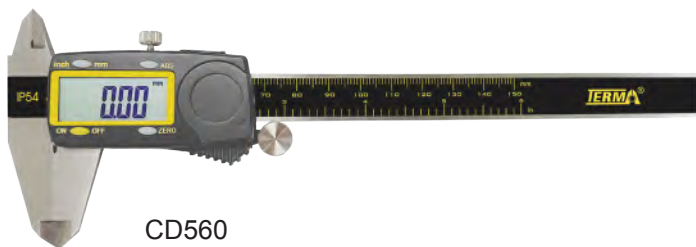
- * Incremental capacitive measurement system
- * Glass scale
- * IP54 Protection grade
- * 3V Lithium battery CR2032, battery life > 1 year



	A(mm)	B(mm)	C(mm)	L(mm)
0-100mm	40	20	15.5	185
0-150mm	40	20	15.5	235
0-200mm	50	24	19.5	287
0-300mm	60	26	21.5	390

货号 Item	规格 SPEC	分辨率 Resolution	精度(公差带) Accuracy(Tolerance Range)
CD710-100	0-100mm/0-4"	0.01mm/0.0005"	0.02mm/0.001"
CD710-150	0-150mm/0-6"	0.01mm/0.0005"	0.02mm/0.001"
CD710-200	0-200mm/0-8"	0.01mm/0.0005"	0.03mm/0.0015"
CD710-300	0-300mm/0-12"	0.01mm/0.0005"	0.03mm/0.0015"

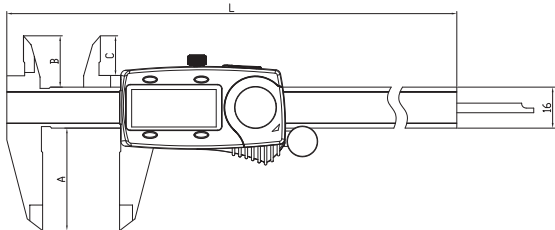
Digital Caliper with Incremental Capacitive system



CD560

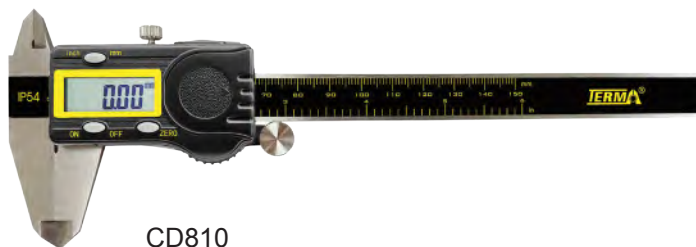
- * 相对式容栅测量系统
- * 玻璃定栅
- * IP54防护等级
- * 3V锂电池CR2032, 电池寿命>1年
- * 大屏显示

- * Incremental capacitive measurement system
- * Glass scale
- * IP54 Protection grade
- * 3V Lithium battery CR2032, battery life > 1 year
- * Large display



	A(mm)	B(mm)	C(mm)	L(mm)
0-100mm	40	20	15.5	185
0-150mm	40	20	15.5	235
0-200mm	50	24	19.5	287
0-300mm	60	26	21.5	390

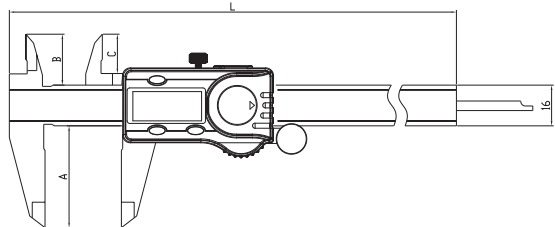
货号 Item	规格 SPEC	分辨率 Resolution	精度(公差带) Accuracy(Tolerance Range)
CD560-150	0-150mm/0-6"	0.01mm/0.0005"	0.03mm/0.0015"
CD560-200	0-200mm/0-8"	0.01mm/0.0005"	0.03mm/0.0015"
CD560-300	0-300mm/0-12"	0.01mm/0.0005"	0.03mm/0.0015"



CD810

- * 相对式容栅测量系统
- * 玻璃定栅
- * IP54防护等级
- * 3V锂电池CR2032, 电池寿命>1年

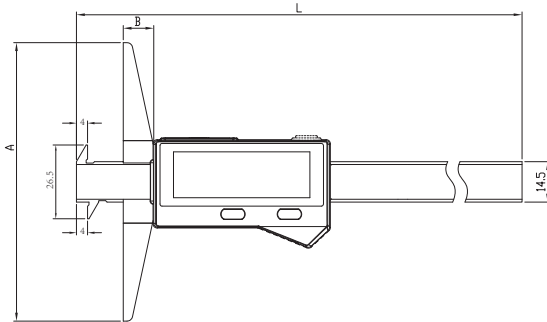
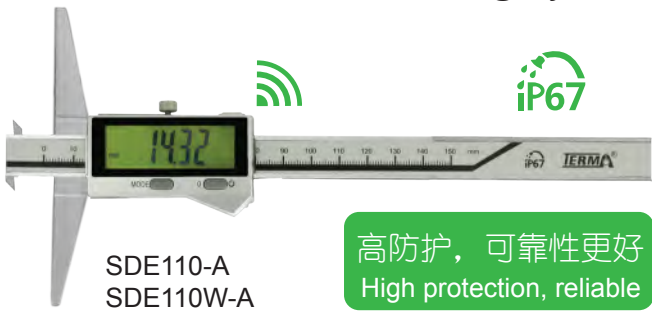
- * Incremental capacitive measurement system
- * Glass scale
- * IP54 Protection grade
- * 3V Lithium battery CR2032, battery life > 1 year



	A(mm)	B(mm)	C(mm)	L(mm)
0-100mm	40	20	15.5	185
0-150mm	40	20	15.5	235
0-200mm	50	24	19.5	287
0-300mm	60	26	21.5	390

货号 Item	规格 SPEC	分辨率 Resolution	精度(公差带) Accuracy(Tolerance Range)
CD810-150	0-150mm/0-6"	0.01mm/0.0005"	0.03mm/0.0015"
CD810-200	0-200mm/0-8"	0.01mm/0.0005"	0.03mm/0.0015"
CD810-300	0-300mm/0-12"	0.01mm/0.0005"	0.03mm/0.0015"

IP67 Water-Proof Digital Depth Caliper with inductive measuring system



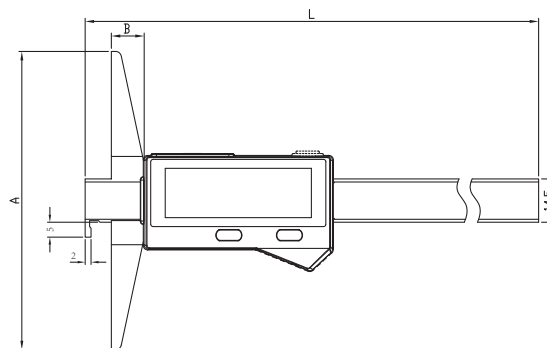
	A(mm)	B(mm)	L(mm)
0-150mm	100	11	232.5
0-200mm	100	11	285
0-300mm	150	13.5	390

货号 Item	规格 SPEC	分辨率 Resolution	精度(公差带) Accuracy(Tolerance Range)
SDE110-A-150/SDE110W-A-150	0-150mm/0-6"	0.01mm/0.0005"	0.03mm/0.0015"
SDE110-A-200/SDE110W-A-200	0-200mm/0-8"	0.01mm/0.0005"	0.03mm/0.0015"
SDE110-A-300/SDE110W-A-300	0-300mm/0-12"	0.01mm/0.0005"	0.04mm/0.0015"

- * 电感测量系统
- * IP67防护等级, 确保卡尺在恶劣的环境中也能可靠工作
- * 3V锂电池CR2032, 电池寿命>1年
- * 内置蓝牙无线传输(可选择)

- * Inductive measurement system
- * IP67 protection grade, caliper can work reliably in hard environment
- * 3V Lithium battery CR2032, battery life > 1 year
- * Built in bluetooth transmission (optional)

B



	A(mm)	B(mm)	L(mm)
0-150mm	100	11	232.5
0-200mm	100	11	285
0-300mm	150	13.5	390

货号 Item	规格 SPEC	分辨率 Resolution	精度(公差带) Accuracy(Tolerance Range)
SDE110-B-150/SDE110W-B-150	0-150mm/0-6"	0.01mm/0.0005"	0.03mm/0.0015"
SDE110-B-200/SDE110W-B-200	0-200mm/0-8"	0.01mm/0.0005"	0.03mm/0.0015"
SDE110-B-300/SDE110W-B-300	0-300mm/0-12"	0.01mm/0.0005"	0.04mm/0.0015"

- * 电感测量系统
- * IP67防护等级, 确保卡尺在恶劣的环境中也能可靠工作
- * 3V锂电池CR2032, 电池寿命>1年
- * 内置蓝牙无线传输(可选择)

- * Inductive measurement system
- * IP67 protection grade, caliper can work reliably in hard environment
- * 3V Lithium battery CR2032, battery life > 1 year
- * Built in bluetooth transmission (optional)

IP67 Water-Proof Digital Depth Caliper with inductive measuring system

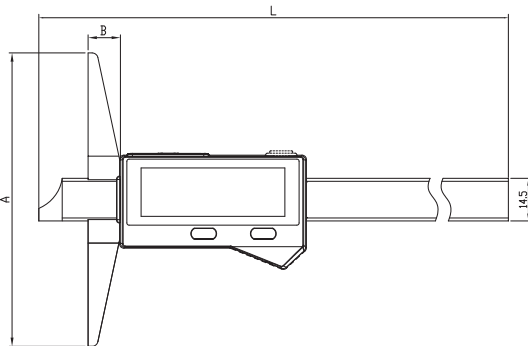


SDE110-C
SDE110W-C

高防护，可靠性更好
High protection, reliable

- * 电感测量系统
- * IP67防护等级，确保卡尺在恶劣的环境中也能可靠工作
- * 3V锂电池CR2032，电池寿命>1年
- * 内置蓝牙无线传输(可选择)

- * Inductive measurement system
- * IP67 protection grade, caliper can work reliably in hard environment
- * 3V Lithium battery CR2032, battery life> 1 year
- * Built in bluetooth transmission (optional)



	A(mm)	B(mm)	L(mm)
0-150mm	100	11	232.5
0-200mm	100	11	285
0-300mm	150	13.5	390

货号 Item	规格 SPEC	分辨率 Resolution	精度(公差带) Accuracy(Tolerance Range)
SDE110-C-150/SDE110W-C-150	0-150mm/0-6"	0.01mm/0.0005"	0.03mm/0.0015"
SDE110-C-200/SDE110W-C-200	0-200mm/0-8"	0.01mm/0.0005"	0.03mm/0.0015"
SDE110-C-300/SDE110W-C-300	0-300mm/0-12"	0.01mm/0.0005"	0.04mm/0.0015"

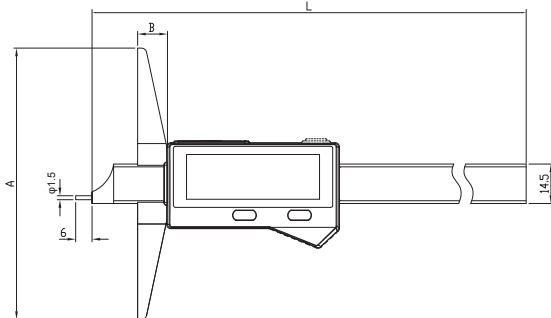


SDE110-D
SDE110W-D

高防护，可靠性更好
High protection, reliable

- * 电感测量系统
- * IP67防护等级，确保卡尺在恶劣的环境中也能可靠工作
- * 3V锂电池CR2032，电池寿命>1年
- * 内置蓝牙无线传输(可选择)

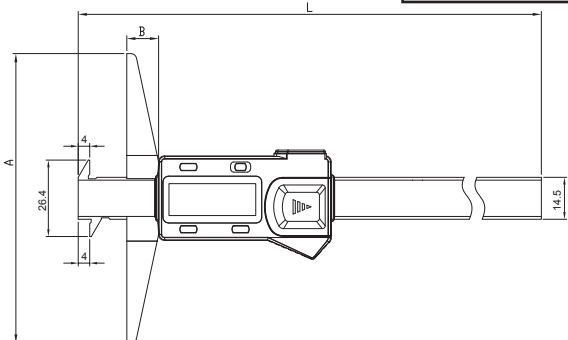
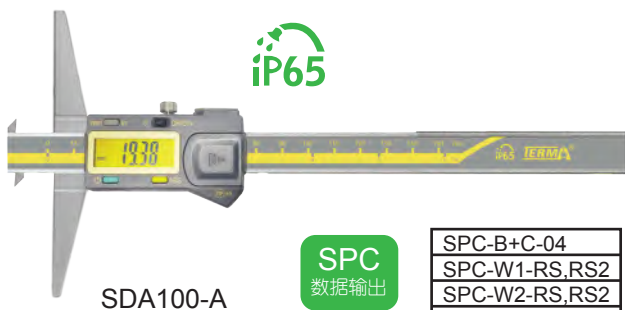
- * Inductive measurement system
- * IP67 protection grade, caliper can work reliably in hard environment
- * 3V Lithium battery CR2032, battery life> 1 year
- * Built in bluetooth transmission (optional)



	A(mm)	B(mm)	L(mm)
0-150mm	100	11	232.5
0-200mm	100	11	285
0-300mm	150	13.5	390

货号 Item	规格 SPEC	分辨率 Resolution	精度(公差带) Accuracy(Tolerance Range)
SDE110-D-150/SDE110W-D-150	0-150mm/0-6"	0.01mm/0.0005"	0.03mm/0.0015"
SDE110-D-200/SDE110W-D-200	0-200mm/0-8"	0.01mm/0.0005"	0.03mm/0.0015"
SDE110-D-300/SDE110W-D-300	0-300mm/0-12"	0.01mm/0.0005"	0.04mm/0.0015"

IP65 Water-Proof Digital Depth Caliper with inductive measuring system



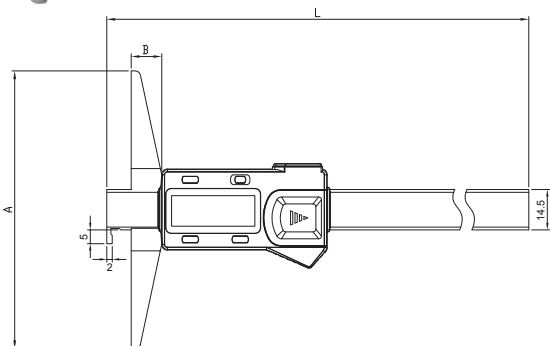
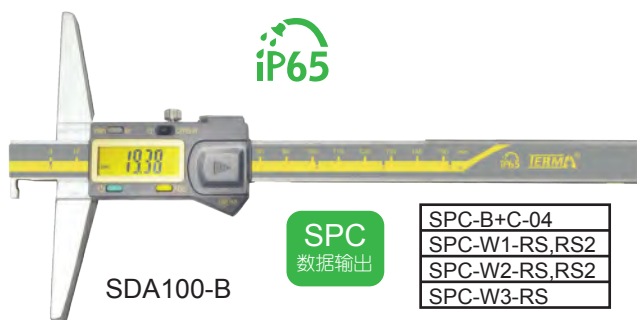
SPC-B+C-04
SPC-W1-RS,RS2
SPC-W2-RS,RS2
SPC-W3-RS

- * 电感测量系统
- * IP65防护等级
- * 3V锂电池CR2032, 电池寿命>1年
- * 带SPC数据接口

- * Inductive measurement system
- * Protection grade IP65
- * 3V Lithium battery CR2032, battery life > 1 year
- * SPC data output

	A(mm)	B(mm)	L(mm)
0-150mm	100	11	232.5
0-200mm	100	11	285
0-300mm	150	13.5	390

货号 Item	规格 SPEC	分辨率 Resolution	精度(公差带) Accuracy(Tolerance Range)
SDA100-A-150	0-150mm/0-6"	0.01mm/0.0005"	0.03mm/0.0015"
SDA100-A-200	0-200mm/0-8"	0.01mm/0.0005"	0.03mm/0.0015"
SDA100-A-300	0-300mm/0-12"	0.01mm/0.0005"	0.04mm/0.0015"



SPC-B+C-04
SPC-W1-RS,RS2
SPC-W2-RS,RS2
SPC-W3-RS

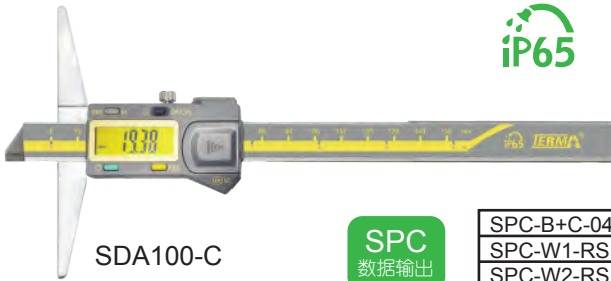
- * 电感测量系统
- * IP65防护等级
- * 3V锂电池CR2032, 电池寿命>1年
- * 带SPC数据接口

- * Inductive measurement system
- * Protection grade IP65
- * 3V Lithium battery CR2032, battery life > 1 year
- * SPC data output

	A(mm)	B(mm)	L(mm)
0-150mm	100	11	232.5
0-200mm	100	11	285
0-300mm	150	13.5	390

货号 Item	规格 SPEC	分辨率 Resolution	精度(公差带) Accuracy(Tolerance Range)
SDA100-B-150	0-150mm/0-6"	0.01mm/0.0005"	0.03mm/0.0015"
SDA100-B-200	0-200mm/0-8"	0.01mm/0.0005"	0.03mm/0.0015"
SDA100-B-300	0-300mm/0-12"	0.01mm/0.0005"	0.04mm/0.0015"

IP65 Water-Proof Digital Depth Caliper with inductive measuring system

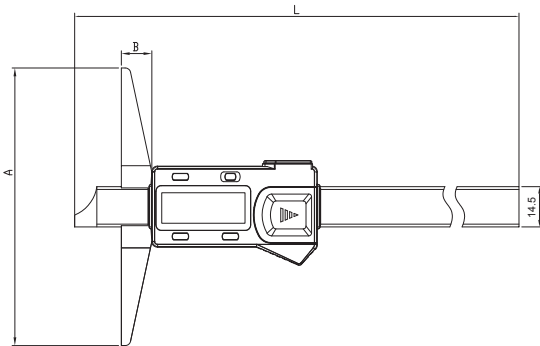


SDA100-C

SPC
数据输出

SPC-B+C-04
SPC-W1-RS,RS2
SPC-W2-RS,RS2
SPC-W3-RS

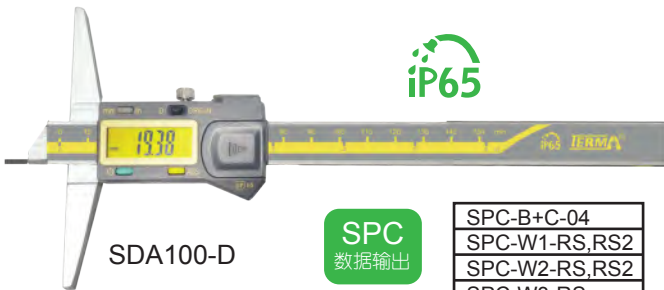
- * 电感测量系统
- * IP65防护等级
- * 3V锂电池CR2032, 电池寿命>1年
- * 带SPC数据接口



- * Inductive measurement system
- * Protection grade IP65
- * 3V Lithium battery CR2032, battery life > 1 year
- * SPC data output

	A(mm)	B(mm)	L(mm)
0-150mm	100	11	232.5
0-200mm	100	11	285
0-300mm	150	13.5	390

货号 Item	规格 SPEC	分辨率 Resolution	精度(公差带) Accuracy(Tolerance Range)
SDA100-C-150	0-150mm/0-6"	0.01mm/0.0005"	0.03mm/0.0015"
SDA100-C-200	0-200mm/0-8"	0.01mm/0.0005"	0.03mm/0.0015"
SDA100-C-300	0-300mm/0-12"	0.01mm/0.0005"	0.04mm/0.0015"

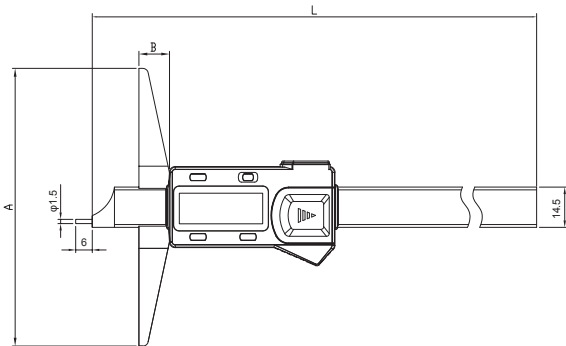


SDA100-D

SPC
数据输出

SPC-B+C-04
SPC-W1-RS,RS2
SPC-W2-RS,RS2
SPC-W3-RS

- * 电感测量系统
- * IP65防护等级
- * 3V锂电池CR2032, 电池寿命>1年
- * 带SPC数据接口



- * Inductive measurement system
- * Protection grade IP65
- * 3V Lithium battery CR2032, battery life > 1 year
- * SPC data output

	A(mm)	B(mm)	L(mm)
0-150mm	100	11	232.5
0-200mm	100	11	285
0-300mm	150	13.5	390

货号 Item	规格 SPEC	分辨率 Resolution	精度(公差带) Accuracy(Tolerance Range)
SDA100-D-150	0-150mm/0-6"	0.01mm/0.0005"	0.03mm/0.0015"
SDA100-D-200	0-200mm/0-8"	0.01mm/0.0005"	0.03mm/0.0015"
SDA100-D-300	0-300mm/0-12"	0.01mm/0.0005"	0.04mm/0.0015"

B

IP67 Water-Proof Special Digital Caliper with inductive measuring system

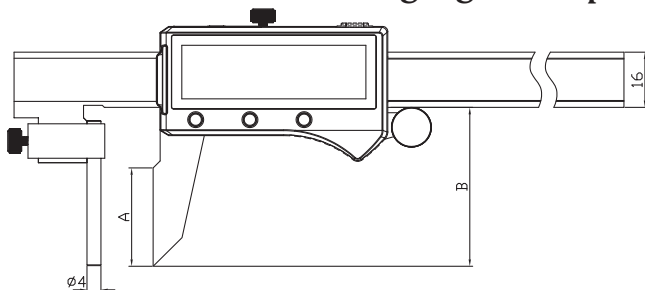


YDE200A
YDE200WA

高防护, 可靠性更好
High protection, reliable

管壁厚数显卡尺

Tube thickness measuring digital caliper



	A(mm)	B(mm)	L(mm)
0-150mm	28.5	46	250
0-200mm	32.5	50	300
0-300mm	48.5	66	400

货号 Item	规格 SPEC	分辨率 Resolution	精度(公差带) Accuracy(Tolerance Range)
YDE200A-150/YDE200WA-150	0-150mm/0-6"	0.01mm/0.0005"	0.03mm/0.0015"
YDE200A-200/YDE200WA-200	0-200mm/0-8"	0.01mm/0.0005"	0.03mm/0.0015"
YDE200A-300/YDE200WA-300	0-300mm/0-12"	0.01mm/0.0005"	0.04mm/0.0015"

- * 电感测量系统
- * IP67防护等级, 确保卡尺在恶劣的环境中也能可靠工作
- * 3V锂电池CR2032, 电池寿命>1年
- * 内置蓝牙无线传输(可选择)
- * 用于测量管壁厚

- * Inductive measurement system
- * IP67 protection grade, caliper can work reliably in hard environment
- * 3V Lithium battery CR2032, battery life> 1 year
- * Built in bluetooth transmission (optional)
- * Can measure the thickness of tube

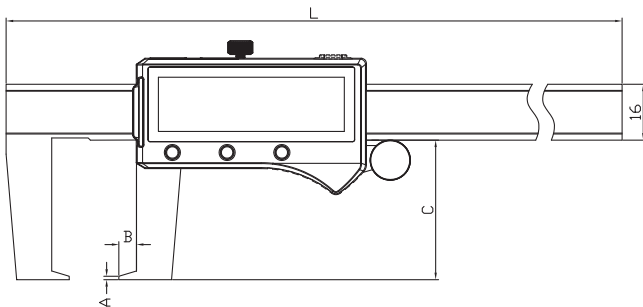


YDE200B
YDE200WB

高防护, 可靠性更好
High protection, reliable

扁头外凹槽数显卡尺

Outside slot measuring digital caliper



- * 电感测量系统
- * IP67防护等级, 确保卡尺在恶劣的环境中也能可靠工作
- * 3V锂电池CR2032, 电池寿命>1年
- * 内置蓝牙无线传输(可选择)
- * 用于测量外凹槽等

- * Inductive measurement system
- * IP67 protection grade, caliper can work reliably in hard environment
- * 3V Lithium battery CR2032, battery life> 1 year
- * Built in bluetooth transmission (optional)
- * Can measure the outside dimension such as outside slot

	A(mm)	B(mm)	C(mm)	L(mm)
0-150mm	1	5	40	250
0-200mm	1	7	50	300
0-300mm	1.5	8	60	405

货号 Item	规格 SPEC	分辨率 Resolution	精度(公差带) Accuracy(Tolerance Range)
YDE200B-150/YDE200WB-150	0-150mm/0-6"	0.01mm/0.0005"	0.03mm/0.0015"
YDE200B-200/YDE200WB-200	0-200mm/0-8"	0.01mm/0.0005"	0.03mm/0.0015"
YDE200B-300/YDE200WB-300	0-300mm/0-12"	0.01mm/0.0005"	0.04mm/0.0015"

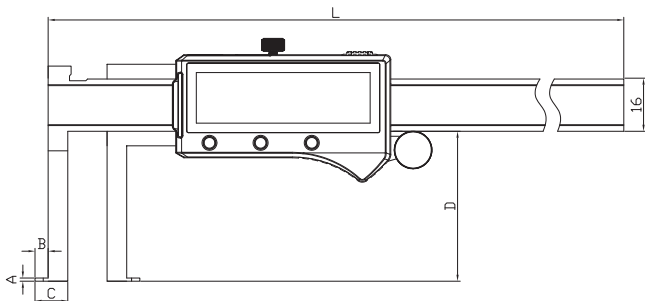
IP67 Water-Proof Special Digital Caliper with inductive measuring system



YDE200C
YDE200WC

高防护，可靠性更好
High protection, reliable

刀头内凹槽数显卡尺 Internal slot measuring digital caliper



- * 电感测量系统
- * IP67防护等级，确保卡尺在恶劣的环境中也能可靠工作
- * 3V锂电池CR2032，电池寿命>1年
- * 内置蓝牙无线传输(可选择)
- * 用于测量内凹槽等
- * 可以预设测头尺寸

- * Inductive measurement system
- * IP67 protection grade, caliper can work reliably in hard environment
- * 3V Lithium battery CR2032, battery life> 1 year
- * Built in bluetooth transmission (optional)
- * Can measure internal dimension such as internal slot
- * Can preset the size of measuring anvil

	A(mm)	B(mm)	C(mm)	D(mm)	L(mm)
0-150mm	1	4	10	46	235
0-200mm	1	5	11	56	287
0-300mm	1.5	5	12	66	390

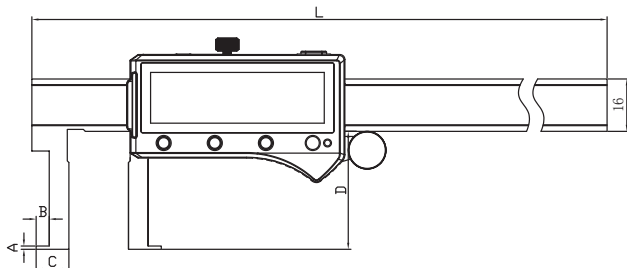
货号 Item	规格 SPEC	分辨率 Resolution	精度(公差带) Accuracy(Tolerance Range)
YDE200C-150/YDE200WC-150	10-160mm/0.39-6.3"	0.01mm/0.0005"	0.03mm/0.0015"
YDE200C-200/YDE200WC-200	11-210mm/0.43-8.2"	0.01mm/0.0005"	0.03mm/0.0015"
YDE200C-300/YDE200WC-300	12-310mm/0.47-12.2"	0.01mm/0.0005"	0.04mm/0.0015"



YDE200D
YDE200WD

高防护，可靠性更好
High protection, reliable

扁头内凹槽数显卡尺 Internal slot measuring digital caliper



- * 电感测量系统
- * IP67防护等级，确保卡尺在恶劣的环境中也能可靠工作
- * 3V锂电池CR2032，电池寿命>1年
- * 内置蓝牙无线传输(可选择)
- * 用于测量内凹槽等
- * 可以预设测头尺寸

- * Inductive measurement system
- * IP67 protection grade, caliper can work reliably in hard environment
- * 3V Lithium battery CR2032, battery life> 1 year
- * Built in bluetooth transmission (optional)
- * Can measure internal dimension such as internal slot
- * Can preset the size of measuring anvil

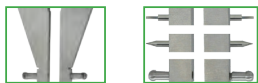
	A(mm)	B(mm)	C(mm)	D(mm)	L(mm)
0-150mm	1	4	10	36	235
0-200mm	1	5	12.5	46	287
0-300mm	1.5	5	15	56	390

货号 Item	规格 SPEC	分辨率 Resolution	精度(公差带) Accuracy(Tolerance Range)
YDE200D-150/YDE200WD-150	20-170mm/0.78-6.7"	0.01mm/0.0005"	0.03mm/0.0015"
YDE200D-200/YDE200WD-200	25-225mm/0.98-8.8"	0.01mm/0.0005"	0.03mm/0.0015"
YDE200D-300/YDE200WD-300	30-330mm/1.18-13"	0.01mm/0.0005"	0.04mm/0.0015"

IP67 Water-Proof Special Digital Caliper with inductive measuring system

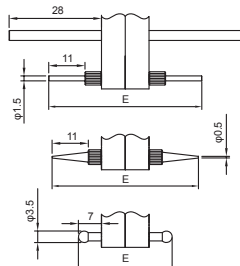
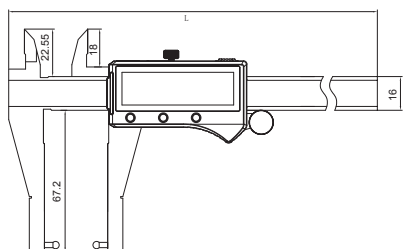


YDE200E
YDE200WE



高防护, 可靠性更好
High protection, reliable

可换测头内外槽数显卡尺
Digital caliper with Interchangeable anvils
for inner and outside slot measuring



	L(mm)	E(mm)
0-150mm	235	To preset by real size
0-200mm	287	
0-300mm	390	

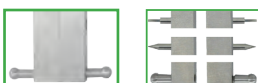
货号 Item	规格 SPEC	分辨率 Resolution	精度(公差带) Accuracy(Tolerance Range)
YDE200E-150/YDE200WE-150	0-150mm/0-6"	0.01mm/0.0005"	0.03mm/0.0015"
YDE200E-200/YDE200WE-200	0-200mm/0-8"	0.01mm/0.0005"	0.03mm/0.0015"
YDE200E-300/YDE200WE-300	0-300mm/0-12"	0.01mm/0.0005"	0.04mm/0.0015"

- * 电感测量系统
- * IP67防护等级, 确保卡尺在恶劣的环境中也能可靠工作
- * 3V锂电池CR2032, 电池寿命>1年
- * 内置蓝牙无线传输(可选择)
- * 用于测量内外凹槽等
- * 可以预设测头尺寸
- * 三种形状测头可选

- * Inductive measurement system
- * IP67 protection grade, caliper can work reliably in hard environment
- * 3V Lithium battery CR2032, battery life> 1 year
- * Built in bluetooth transmission (optional)
- * Can measure the outside dimension such as outside slot or internal dimension such as internal slot
- * Can preset the size of measuring anvils
- * Three type of measuring anvils optional

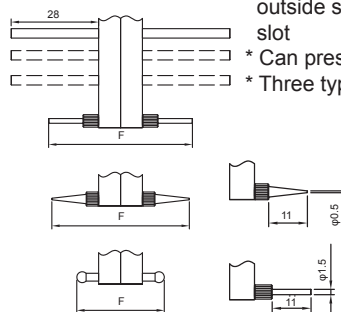
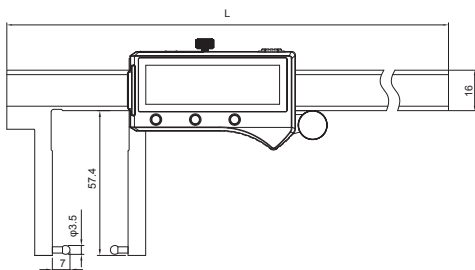


YDE200F
YDE200WF



高防护, 可靠性更好
High protection, reliable

可换测头内外槽数显卡尺
Digital caliper with Interchangeable anvils
for inner and outside slot measuring



	L(mm)	F(mm)
0-150mm	235	To preset by real size
0-200mm	287	
0-300mm	390	

货号 Item	规格 SPEC	分辨率 Resolution	精度(公差带) Accuracy(Tolerance Range)
YDE200F-150/YDE200WF-150	0-150mm/0-6"	0.01mm/0.0005"	0.03mm/0.0015"
YDE200F-200/YDE200WF-200	0-200mm/0-8"	0.01mm/0.0005"	0.03mm/0.0015"
YDE200F-300/YDE200WF-300	0-300mm/0-12"	0.01mm/0.0005"	0.04mm/0.0015"

- * 电感测量系统
- * IP67防护等级, 确保卡尺在恶劣的环境中也能可靠工作
- * 3V锂电池CR2032, 电池寿命>1年
- * 内置蓝牙无线传输(可选择)
- * 用于测量内外凹槽等
- * 可以预设测头尺寸
- * 三种形状测头可选

- * Inductive measurement system
- * IP67 protection grade, caliper can work reliably in hard environment
- * 3V Lithium battery CR2032, battery life> 1 year
- * Built in bluetooth transmission(optional)
- * Can measure the outside dimension such as outside slot or internal dimension such as internal slot
- * Can preset the size of measuring anvils
- * Three type of measuring anvils optional

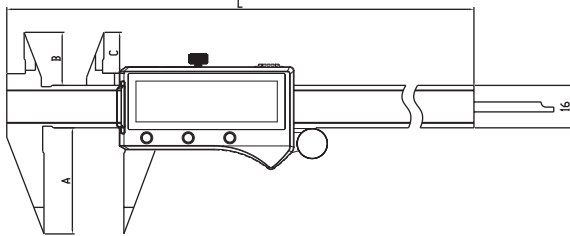
IP67 Water-Proof Special Digital Caliper with inductive measuring system



YDE200G
YDE200WG

高防护，可靠性更好
High protection, reliable

细尖爪数显卡尺
Digital Point caliper



- * 电感测量系统
- * IP67防护等级，确保卡尺在恶劣的环境中也能可靠工作
- * 3V锂电池CR2032，电池寿命>1年
- * 内置蓝牙无线传输(可选择)
- * 爪形细小，可用于测量窄小空间的局部尺寸

- * Inductive measurement system
- * IP67 protection grade, caliper can work reliably in hard environment
- * 3V Lithium battery CR2032, battery life> 1 year
- * Built in bluetooth transmission (optional)
- * The point jaw can be used to measure the size of narrow space

	A(mm)	B(mm)	C(mm)	L(mm)
0-150mm	40	20	15.5	235
0-200mm	50	24	19.5	287
0-300mm	60	26	21.5	390

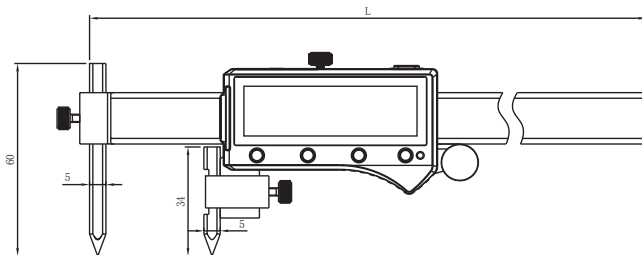
货号 Item	规格 SPEC	分辨率 Resolution	精度(公差带) Accuracy(Tolerance Range)
YDE200G-150/YDE200WG-150	0-150mm/0-6"	0.01mm/0.0005"	0.03mm/0.0015"
YDE200G-200/YDE200WG-200	0-200mm/0-8"	0.01mm/0.0005"	0.03mm/0.0015"
YDE200G-300/YDE200WG-300	0-300mm/0-12"	0.01mm/0.0005"	0.04mm/0.0015"



YDE200H
YDE200WH

高防护，可靠性更好
High protection, reliable

中心距数显卡尺
Digital Offset Centerline caliper



- * 电感测量系统
- * IP67防护等级，确保卡尺在恶劣的环境中也能可靠工作
- * 3V锂电池CR2032，电池寿命>1年
- * 内置蓝牙无线传输(可选择)
- * 锥形测头可用于测量圆孔中心距、孔边距尺寸
- * 可以预设测头尺寸

- * Inductive measurement system
- * IP67 protection grade, caliper can work reliably in hard environment
- * 3V Lithium battery CR2032, battery life> 1 year
- * Built in bluetooth transmission(optional)
- * Cone measuring face can be used to measure the center distance of two holes and the distance from the hole centre to the part edge
- * Can preset the size of measuring anvil

	L(mm)
5-155mm	230
5-205mm	285
5-305mm	385

货号 Item	规格 SPEC	分辨率 Resolution	精度(公差带) Accuracy(Tolerance Range)
YDE200H-150/YDE200WH-150	5-155mm/0.2-6"	0.01mm/0.0005"	0.03mm/0.0015"
YDE200H-200/YDE200WH-200	5-205mm/0.2-8"	0.01mm/0.0005"	0.03mm/0.0015"
YDE200H-300/YDE200WH-300	5-305mm/0.2-12"	0.01mm/0.0005"	0.04mm/0.0015"

IP65 Water-Proof Special Digital Caliper with inductive measuring system



SPC
数据输出

SPC-B+C-04
SPC-W1-RS,RS2
SPC-W2-RS,RS2
SPC-W3-RS

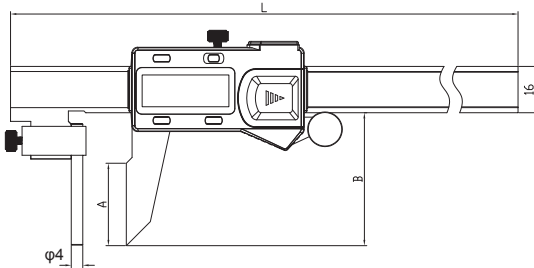
IP65

精度更高, 可靠性更好
Higher precision, reliable

- * 电感测量系统
- * IP65防护等级
- * 3V锂电池CR2032, 电池寿命>1年
- * 带SPC数据接口
- * 用于测量管壁厚

管壁厚数显卡尺

Tube thickness measuring digital caliper



- * Inductive measurement system
- * IP65 Protection grade
- * 3V Lithium battery CR2032, battery life > 1 year
- * SPC data output
- * Can measure thickness of tube

	A(mm)	B(mm)	L(mm)
0-150mm	28.5	46	250
0-200mm	32.5	50	300
0-300mm	48.5	66	400

货号 Item	规格 SPEC	分辨率 Resolution	精度(公差带) Accuracy(Tolerance Range)
YDA100A-150	0-150mm/0-6"	0.01mm/0.0005"	0.03mm/0.0015"
YDA100A-200	0-200mm/0-8"	0.01mm/0.0005"	0.03mm/0.0015"
YDA100A-300	0-300mm/0-12"	0.01mm/0.0005"	0.04mm/0.0015"



SPC
数据输出

SPC-B+C-04
SPC-W1-RS,RS2
SPC-W2-RS,RS2
SPC-W3-RS

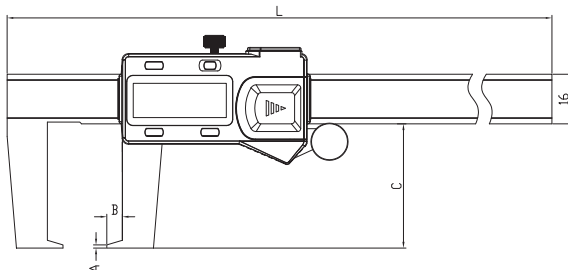
IP65

精度更高, 可靠性更好
Higher precision, reliable

- * 电感测量系统
- * IP65防护等级
- * 3V锂电池CR2032, 电池寿命>1年
- * 带SPC数据接口
- * 用于测量外凹槽等

扁头外凹槽数显卡尺

Outside slot measuring digital caliper

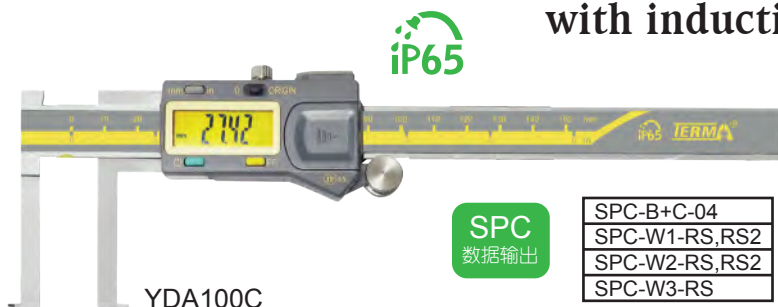


- * Inductive measurement system
- * IP65 Protection grade
- * 3V Lithium battery CR2032, battery life > 1 year
- * SPC data output
- * Can measure the outside dimension such as outside slot

	A(mm)	B(mm)	C(mm)	L(mm)
0-150mm	1	5	40	250
0-200mm	1	7	50	300
0-300mm	1.5	8	60	405

货号 Item	规格 SPEC	分辨率 Resolution	精度(公差带) Accuracy(Tolerance Range)
YDA100B-150	0-150mm/0-6"	0.01mm/0.0005"	0.03mm/0.0015"
YDA100B-200	0-200mm/0-8"	0.01mm/0.0005"	0.03mm/0.0015"
YDA100B-300	0-300mm/0-12"	0.01mm/0.0005"	0.04mm/0.0015"

IP65 Water-Proof Special Digital Caliper with inductive measuring system



精度更高，可靠性更好
Higher precision, reliable

SPC
数据输出

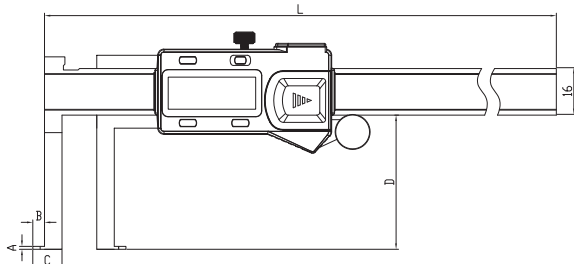
SPC-B+C-04
SPC-W1-RS,RS2
SPC-W2-RS,RS2
SPC-W3-RS

- * 电感测量系统
- * IP65防护等级
- * 3V锂电池CR2032, 电池寿命>1年
- * 带SPC数据接口
- * 用于测量内凹槽等
- * 可以预设测头尺寸

- * Inductive measurement system
- * IP65 Protection grade
- * 3V Lithium battery CR2032, battery life > 1 year
- * SPC data output
- * Can measure the internal dimension such as internal slot
- * Can preset the size of measuring anvil

刀头内凹槽数显卡尺

Internal slot measuring digital caliper



	A(mm)	B(mm)	C(mm)	D(mm)	L(mm)
0-150mm	1	4	10	46	235
0-200mm	1	5	11	56	287
0-300mm	1.5	5	12	66	390

货号 Item	规格 SPEC	分辨率 Resolution	精度(公差带) Accuracy(Tolerance Range)
YDA100C-150	10-150mm/0.4-6"	0.01mm/0.0005"	0.03mm/0.0015"
YDA100C-200	11-200mm/0.43-8"	0.01mm/0.0005"	0.03mm/0.0015"
YDA100C-300	12-300mm/0.47-12"	0.01mm/0.0005"	0.04mm/0.0015"



精度更高，可靠性更好
Higher precision, reliable

SPC
数据输出

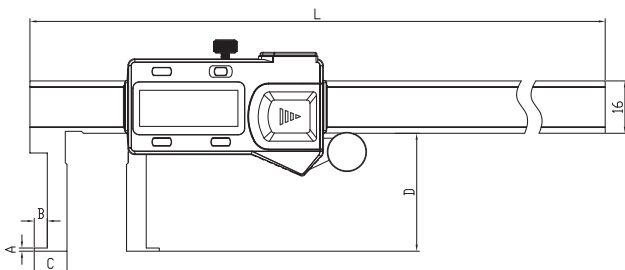
SPC-B+C-04
SPC-W1-RS,RS2
SPC-W2-RS,RS2
SPC-W3-RS

- * 电感测量系统
- * IP65防护等级
- * 3V锂电池CR2032, 电池寿命>1年
- * 带SPC数据接口
- * 用于测量内凹槽等
- * 可以预设测头尺寸

- * Inductive measurement system
- * IP65 Protection grade
- * 3V Lithium battery CR2032, battery life > 1 year
- * SPC data output
- * Can measure the internal dimension such as internal slot
- * Can preset the size of measuring anvil

扁头内凹槽数显卡尺

Internal slot measuring digital caliper



	A(mm)	B(mm)	C(mm)	D(mm)	L(mm)
0-150mm	1	4	10	36	235
0-200mm	1	5	12.5	46	287
0-300mm	1.5	5	15	56	390

货号 Item	规格 SPEC	分辨率 Resolution	精度(公差带) Accuracy(Tolerance Range)
YDA100D-150	20-170mm/0.78-6.7"	0.01mm/0.0005"	0.03mm/0.0015"
YDA100D-200	25-225mm/0.98-8.8"	0.01mm/0.0005"	0.03mm/0.0015"
YDA100D-300	30-330mm/1.18-13"	0.01mm/0.0005"	0.04mm/0.0015"

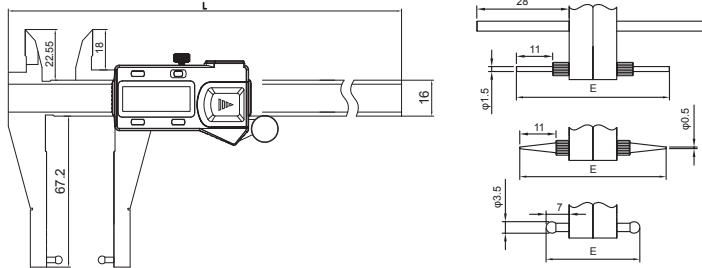
IP65 Water-Proof Special Digital Caliper with inductive measuring system



YDA100E

可换测头内外槽数显卡尺

Digital caliper with Interchangeable anvils for inner and outside slot measuring



SPC
数据输出

SPC-B+C-04
SPC-W1-RS,RS2
SPC-W2-RS,RS2
SPC-W3-RS

IP65

精度更高, 可靠性更好
Higher precision, reliable

- * 电感测量系统
- * IP65防护等级
- * 3V锂电池CR2032, 电池寿命>1年
- * 带SPC数据接口
- * 用于测量内外凹槽等
- * 可以预设测头尺寸
- * 三种形状测头可选

- * Inductive measurement system
- * IP65 Protection grade
- * 3V Lithium battery CR2032, battery life > 1 year
- * SPC data output
- * Can measure the outside dimension such as outside slot or internal dimension such as internal slot
- * Can preset the size of measuring anvil
- * Three type of measuring anvils optional

	L(mm)	E(mm)
0-150mm	235	To preset by real size
0-200mm	287	
0-300mm	390	

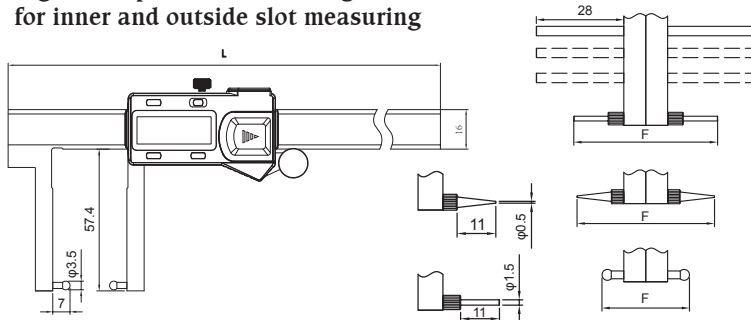
货号 Item	规格 SPEC	分辨率 Resolution	精度(公差带) Accuracy(Tolerance Range)
YDA100E-150	0-150mm/0-6"	0.01mm/0.0005"	0.03mm/0.0015"
YDA100E-200	0-200mm/0-8"	0.01mm/0.0005"	0.03mm/0.0015"
YDA100E-300	0-300mm/0-12"	0.01mm/0.0005"	0.04mm/0.0015"



YDA100F

可换测头内外槽数显卡尺

Digital caliper with Interchangeable anvils for inner and outside slot measuring



SPC
数据输出

SPC-B+C-04
SPC-W1-RS,RS2
SPC-W2-RS,RS2
SPC-W3-RS

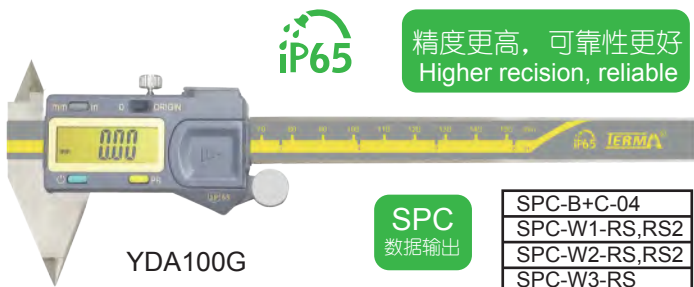
精度更高, 可靠性更好
Higher precision, reliable

- * 电感测量系统
- * IP65防护等级
- * 3V锂电池CR2032, 电池寿命>1年
- * 带SPC数据接口
- * 用于测量内外凹槽等
- * 可以预设测头尺寸
- * 三种形状测头可选

- * Inductive measurement system
- * IP65 Protection grade
- * 3V Lithium battery CR2032, battery life > 1 year
- * SPC data output
- * Can measure the outside dimension such as outside slot or internal dimension such as internal slot
- * Can preset the size of measuring anvil
- * Three type of measuring anvils optional

	L(mm)	F(mm)
0-150mm	235	To preset by real size
0-200mm	287	
0-300mm	390	

货号 Item	规格 SPEC	分辨率 Resolution	精度(公差带) Accuracy(Tolerance Range)
YDA100F-150	0-150mm/0-6"	0.01mm/0.0005"	0.03mm/0.0015"
YDA100F-200	0-200mm/0-8"	0.01mm/0.0005"	0.03mm/0.0015"
YDA100F-300	0-300mm/0-12"	0.01mm/0.0005"	0.04mm/0.0015"



YDA100G

细尖爪数显卡尺
Digital Point caliper

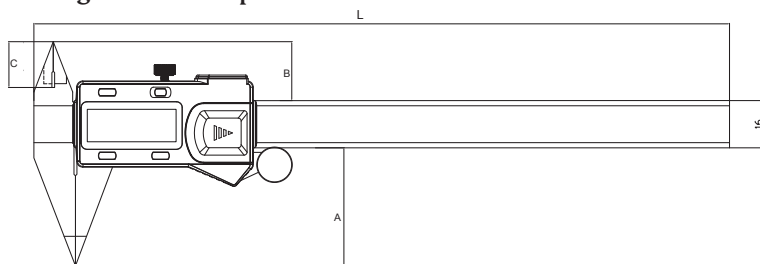
精度更高, 可靠性更好
Higher recision, reliable

SPC
数据输出

SPC-B+C-04
SPC-W1-RS,RS2
SPC-W2-RS,RS2
SPC-W3-RS

- * 电感测量系统
- * IP65防护等级
- * 3V锂电池CR2032, 电池寿命>1年
- * 带SPC数据接口
- * 爪形细小, 可用于测量窄小空间的局部尺寸

- * Inductive measurement system
- * IP65 Protection grade
- * 3V Lithium battery CR2032, battery life > 1 year
- * SPC data output
- * The point jaw can be used to measure the size of narrow space



	A(mm)	B(mm)	C(mm)	L(mm)
0-150mm	40	20	15.5	235
0-200mm	50	24	19.5	287
0-300mm	60	26	21.5	390

货号 Item	规格 SPEC	分辨率 Resolution	精度(公差带) Accuracy(Tolerance Range)
YDA100G-150	0-150mm/0-6"	0.01mm/0.0005"	0.03mm/0.0015"
YDA100G-200	0-200mm/0-8"	0.01mm/0.0005"	0.03mm/0.0015"
YDA100G-300	0-300mm/0-12"	0.01mm/0.0005"	0.04mm/0.0015"



YDA100H

中心距数显卡尺
Digital Offset Centerline caliper

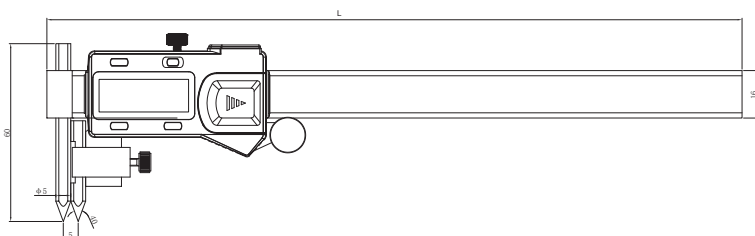
精度更高, 可靠性更好
Higher recision, reliable

SPC
数据输出

SPC-B+C-04
SPC-W1-RS,RS2
SPC-W2-RS,RS2
SPC-W3-RS

- * 电感测量系统
- * IP65防护等级
- * 3V锂电池CR2032, 电池寿命>1年
- * 带SPC数据接口
- * 锥形测头可用于测量圆孔中心距、孔边距尺寸
- * 可以预设测头尺寸

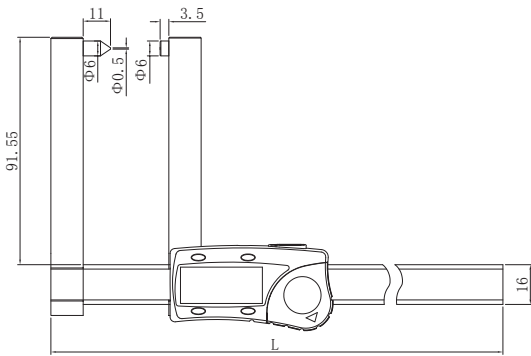
- * Inductive measurement system
- * IP65 Protection grade
- * 3V Lithium battery CR2032, battery life > 1 year
- * SPC data output
- * Cone measuring face can be used to measure the center distance of two holes and the distance from the hole centre to the part edge
- * Can preset the size of measuring anvil



	L(mm)
5-155mm	230
5-205mm	285
5-305mm	385

货号 Item	规格 SPEC	分辨率 Resolution	精度(公差带) Accuracy(Tolerance Range)
YDA100H-150	0-150mm/0-6"	0.01mm/0.0005"	0.03mm/0.0015"
YDA100H-200	0-200mm/0-8"	0.01mm/0.0005"	0.03mm/0.0015"
YDA100H-300	0-300mm/0-12"	0.01mm/0.0005"	0.04mm/0.0015"

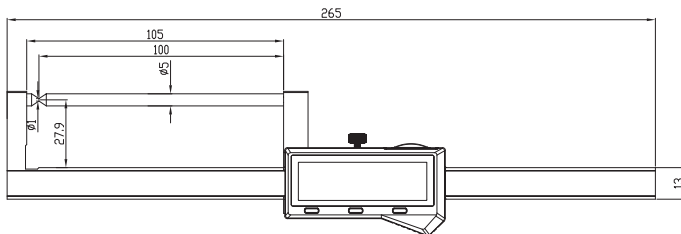
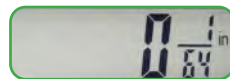
Disk Brake Digital Caliper with Incremental Capacitive system



- * 相对式容栅测量系统
- * 玻璃定栅
- * IP54防护等级
- * 3V锂电池CR2032, 电池寿命>1年
- * 测量汽车刹车碟磨损

- * Incremental capacitive measurement system
- * Glass scale
- * IP54 Protection grade
- * 3V Lithium battery CR2032, battery life > 1 year
- * Can measure thickness of the automobile brakes

货号 Item	规格 SPEC	分辨率 Resolution	精度(公差带) Accuracy(Tolerance Range)	L(mm)
CD520D-80	0-80mm/0-3"	0.01mm/0.0005"	0.05mm/0.002"	182
CD520D-150	0-140mm/0-5.5"	0.01mm/0.0005"	0.05mm/0.002"	235



- * 相对式容栅测量系统
- * 玻璃定栅
- * IP54防护等级
- * 3V锂电池CR2032, 电池寿命>1年
- * 测量汽车刹车碟磨损

- * Incremental capacitive measurement system
- * Glass scale
- * IP54 Protection grade
- * 3V Lithium battery CR2032, battery life > 1 year
- * Can measure thickness of the automobile brakes

货号 Item	规格 SPEC	分辨率 Resolution	精度(公差带) Accuracy(Tolerance Range)
CD580D	0-80mm/0-3"	0.01mm/0.0005"	0.05mm/0.002"

Drum Digital Caliper with Incremental Capacitive system

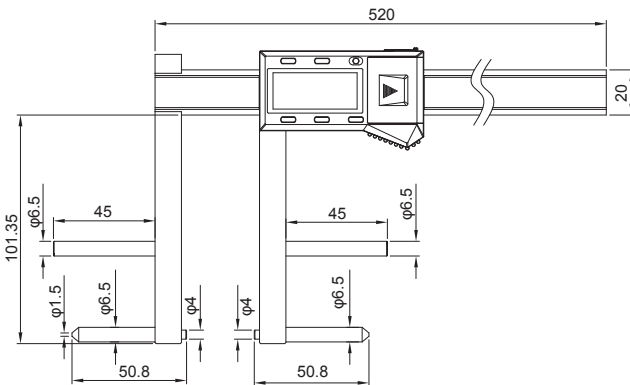


SPC
数据输出

DG950

SPC-A+C-01

- * 相对式容栅测量系统
- * 玻璃定栅
- * IP54防护等级
- * 3V锂电池CR2032, 电池寿命>1年
- * 数据输出
- * 适用于对轮毂的测量



- * Incremental capacitive measurement system
- * Glass scale
- * IP54 Protection grade
- * 3V Lithium battery CR2032, battery life > 1 year
- * Data output
- * Adapt to measure drum

货号 Item	规格 SPEC	分辨率 Resolution	精度(公差带) Accuracy(Tolerance Range)
DG950-500	100-500mm/4-20"	0.01mm/0.0005"	0.06mm/0.0025"

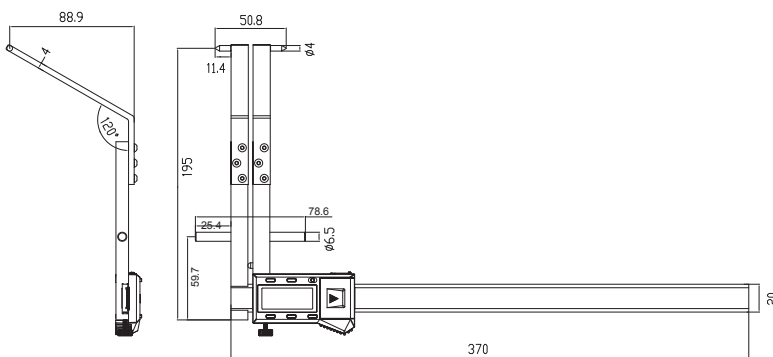


SPC
数据输出

DG950B

SPC-A+C-01

- * 相对式容栅测量系统
- * 玻璃定栅
- * IP54防护等级
- * 3V锂电池CR2032, 电池寿命>1年
- * 数据输出
- * 适用于对轮毂的测量



- * Incremental capacitive measurement system
- * Glass scale
- * IP54 Protection grade
- * 3V Lithium battery CR2032, battery life > 1 year
- * Data output
- * Adapt to measure drum

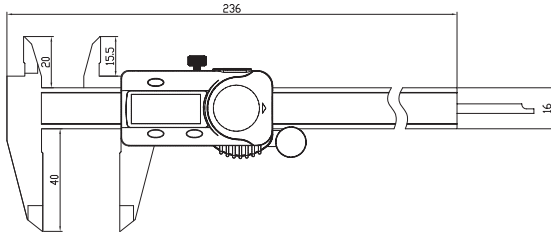
货号 Item	规格 SPEC	分辨率 Resolution	精度(公差带) Accuracy(Tolerance Range)
DG950B-400	50-400mm/2-16"	0.01mm/0.0005"	0.06mm/0.0025"

Poly Caliper



PC710

- * 相对式容栅测量系统
- * 玻璃定栅
- * IP54防护等级
- * 3V锂电池CR2032, 电池寿命>1年
- * 尺身采用高强度工程塑料加玻璃纤维
- * 适用于有防磁性要求、绝缘要求的测量场合和一些手工工艺场合



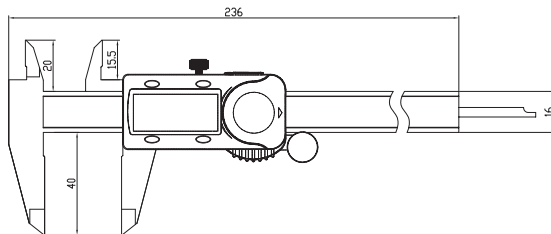
- * Incremental capacitive measurement system
- * Glass scale
- * IP54 Protection grade
- * 3V Lithium battery CR2032, battery life > 1 year
- * Mechanism made of poly glassfiber
- * The caliper is suitable to: magnetic material measuring insulated measuring jaws required and DIY

货号 Item	规格 SPEC	分辨率 Resolution	精度(公差带) Accuracy(Tolerance Range)
PC710-150	0-150mm/0-6"	0.01mm/0.0005"	0.08mm/0.003"



PC730F

- * 相对式容栅测量系统
- * 玻璃定栅
- * IP54防护等级
- * 3V锂电池CR2032, 电池寿命>1年
- * 尺身采用高强度工程塑料加玻璃纤维
- * 适用于有防磁性要求、绝缘要求的测量场合和一些手工工艺场合



- * Incremental capacitive measurement system
- * Glass scale
- * IP54 Protection grade
- * 3V Lithium battery CR2032, battery life > 1 year
- * Mechanism made of poly glassfiber
- * The caliper is suitable to: magnetic material measuring insulated measuring jaws required and DIY

货号 Item	规格 SPEC	分辨率 Resolution	精度(公差带) Accuracy(Tolerance Range)
PC730F-150	0-150mm/0-6"	0.01mm/0.0005"/1/64"	0.08mm/0.003"

IP65 Water-Proof Carbon Fiber Digital Caliper with inductive measuring system

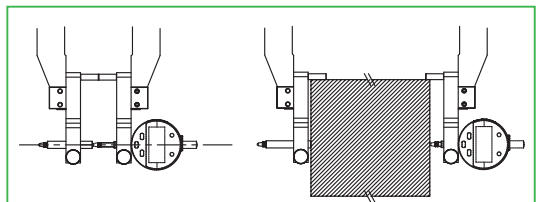
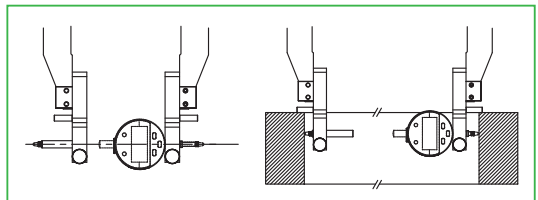
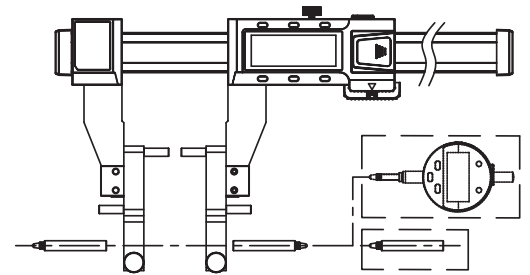
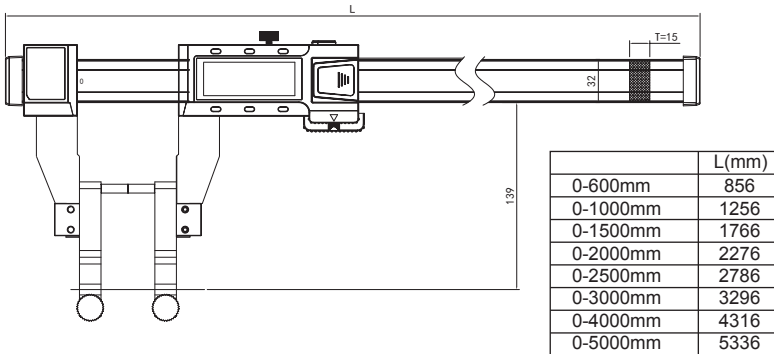
数显碳纤维比较测量仪

Digital Carbon Fiber Comparative Measuring Instrument



- * 尺身采用超轻高强度的碳纤维材料, 具有良好的耐久性和耐腐蚀性
- * 产品采用电感测量系统, IP65高防护等级, 产品达到双层防护
- * 可测量外径和内径
- * 含预设功能
- * 带SPC数据接口
- * 内置无线传输(可选择)
- * 测量范围广

- * Main beam is made of ultra light and high-duty carbon fiber; Good durability and corrosion resistance
- * Inductive measurement system and IP65 high protection grade can make product having double protection
- * Can measure outside and inside diameter
- * Preset function
- * SPC data output
- * Built in wireless transmission(optional)
- * Wide measurement range



※搭配标准工件或标准较对杆, 可以达到更高精度的测量。
※Please use standard bar to calibrate the instrument for higher precision.

货号 Item	规格 SPEC	分辨率 Resolution	精度(公差带) Accuracy(Tolerance Range)
CDE935C-600/CDE935CW-600	0-600mm/0-24"(200-800mm/8-32")	0.01mm/0.0005"	0.05mm/0.002"
CDE935C-1000/CDE935CW-1000	0-1000mm/0-40"(20-1200mm/8-48")	0.01mm/0.0005"	0.07mm/0.003"
CDE935C-1500/CDE935CW-1500	0-1500mm/0-60"(200-1700mm/8-68")	0.01mm/0.0005"	0.10mm/0.004"
CDE935C-2000/CDE935CW-2000	0-2000mm/0-80"(200-2200mm/8-88")	0.01mm/0.0005"	0.12mm/0.005"
CDE935C-2500/CDE935CW-2500	0-2500mm/0-100"(200-2700mm/8-108")	0.01mm/0.0005"	0.16mm/0.006"
CDE935C-3000/CDE935CW-3000	0-3000mm/0-120"(200-3200mm/8-128")	0.01mm/0.0005"	0.18mm/0.007"
CDE935C-4000/CDE935CW-4000	0-4000mm/0-160"(200-4200mm/8-168")	0.01mm/0.0005"	0.21mm/0.008"
CDE935C-5000/CDE935CW-5000	0-5000mm/0-200"(200-5200mm/8-208")	0.01mm/0.0005"	0.23mm/0.009"

IP65 Water-Proof Carbon Fiber Digital Caliper with inductive measuring system

可换量爪碳纤维数显卡尺

Digital Carbon Fiber Caliper with Changeable Measuring Jaw



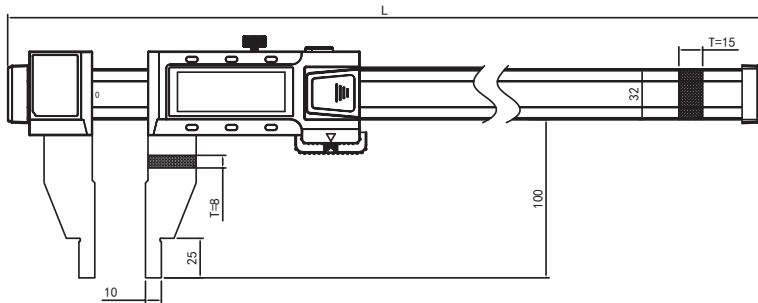
CDE935B
CDE935BW

SPC
数据输出

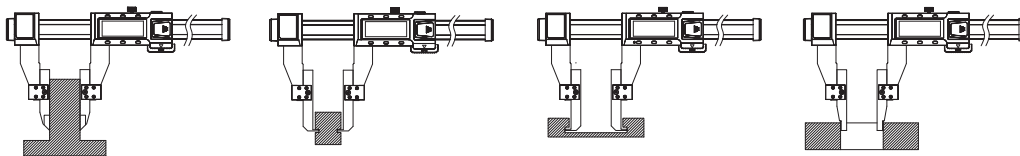
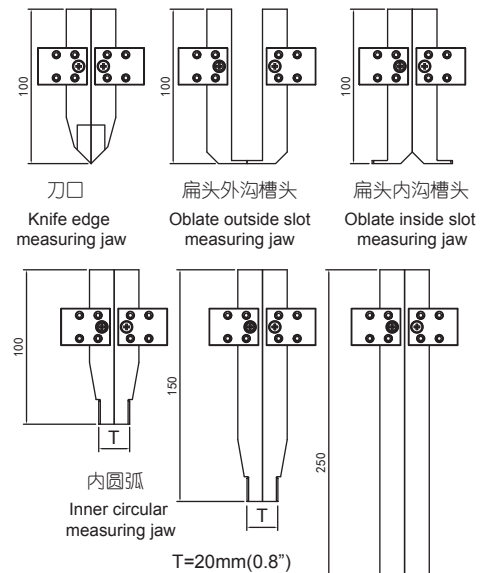
SPC-B+C-04
SPC-W1-RS,RS2
SPC-W2-RS,RS2
SPC-W3-RS

- * 尺身采用超轻高强度的碳纤维材料,具有良好的耐久性和耐腐蚀性;
- * 产品采用电感测量系统,IP65高防护等级,产品达到双层防护
- * 量爪可换,测量方便;
- * 四种款式六种测量爪:刀口、扁头外沟槽头、扁头内沟槽头、内圆弧(3种长度),测量范围更广;
- * 含预设功能
- * 带SPC数据接口
- * 内置无线传输(可选择)

- * Main beam is made of ultra light and high-strength's carbon fiber; Good durability and corrosion resistance
- * Inductive measurement system and IP65 high protection grade can make product having double protection
- * Convenient measurement with changeable measuring jaw
- * 4 types and 6 kinds of measuring jaw: knife edge measuring jaw、oblate outside slot measuring jaw、oblate inside slot measuring jaw、inner circular measuring jaw(3 kinds of lengths), wider measuring range
- * Preset function
- * SPC data output
- * Built in wireless transmission(optional)



	L(mm)
0-600mm	856
0-1000mm	1256
0-1500mm	1766
0-2000mm	2276
0-2500mm	2786
0-3000mm	3296
0-4000mm	4316
0-5000mm	5336



货号 Item	规格 SPEC	分辨率 Resolution	精度(公差带) Accuracy(Tolerance Range)
CDE935B-600/CDE935BW-600	0-600mm/0-24"	0.01mm/0.0005"	0.05mm/0.002"
CDE935B-1000/CDE935BW-1000	0-1000mm/0-40"	0.01mm/0.0005"	0.07mm/0.003"
CDE935B-1500/CDE935BW-1500	0-1500mm/0-60"	0.01mm/0.0005"	0.10mm/0.004"
CDE935B-2000/CDE935BW-2000	0-2000mm/0-80"	0.01mm/0.0005"	0.12mm/0.005"
CDE935B-2500/CDE935BW-2500	0-2500mm/0-100"	0.01mm/0.0005"	0.16mm/0.006"
CDE935B-3000/CDE935BW-3000	0-3000mm/0-120"	0.01mm/0.0005"	0.18mm/0.007"
CDE935B-4000/CDE935BW-4000	0-4000mm/0-160"	0.01mm/0.0005"	0.21mm/0.008"
CDE935B-5000/CDE935BW-5000	0-5000mm/0-200"	0.01mm/0.0005"	0.23mm/0.009"



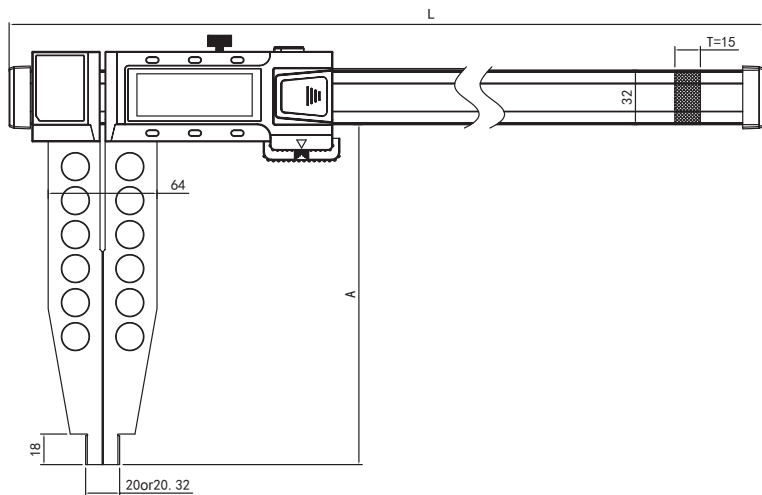
CDE935A
CDE935AW

SPC
数据输出

SPC-B+C-04
SPC-W1-RS,RS2
SPC-W2-RS,RS2
SPC-W3-RS

- * 电感测量系统
- * IP65防护等级, 确保卡尺在恶劣的环境中也能可靠工作
- * 3V锂电池CR2032, 电池寿命>1年
- * 带SPC数据接口
- * 内置无线传输(可选择)
- * 圆弧型内测量面
- * 含预设功能
- * 主尺采用碳纤维材料

- * Inductive measurement system
- * IP65 protection grade, caliper can work reliably in hard environment
- * 3V lithium battery CR2032, battery life > 1 year
- * SPC data output
- * Built in wireless transmission(optional)
- * Round measuring faces
- * SET button for preset function
- * Main frame is made of carbon fiber



	A(mm)	T(mm)	L(mm)
0-2500mm	200	20(0.8")	2786
0-2500mm	300	20(0.8")	2786
0-2500mm	500	20(0.8")	2786
0-3000mm	200	20(0.8")	3296
0-3000mm	300	20(0.8")	3296
0-3000mm	500	20(0.8")	3296
0-4000mm	200	20(0.8")	4316
0-4000mm	300	20(0.8")	4316
0-4000mm	500	20(0.8")	4316
0-5000mm	200	20(0.8")	5336
0-5000mm	300	20(0.8")	5336
0-5000mm	500	20(0.8")	5336

货号 Item	量爪 Claw	规格 SPEC	分辨率 Resolution	精度(公差带) Accuracy(Tolerance Range)
CDE935A-2500/CDE935AW-2500	200	0-2500mm/0-100"	0.01mm/0.0005"	0.20mm/0.008"
CDE935A-2500/CDE935AW-2500	300	0-2500mm/0-100"	0.01mm/0.0005"	0.23mm/0.009"
CDE935A-2500/CDE935AW-2500	500	0-2500mm/0-100"	0.01mm/0.0005"	0.30mm/0.012"
CDE935A-3000/CDE935AW-3000	200	0-3000mm/0-120"	0.01mm/0.0005"	0.22mm/0.009"
CDE935A-3000/CDE935AW-3000	300	0-3000mm/0-120"	0.01mm/0.0005"	0.25mm/0.010"
CDE935A-3000/CDE935AW-3000	500	0-3000mm/0-120"	0.01mm/0.0005"	0.32mm/0.013"
CDE935A-4000/CDE935AW-4000	200	0-4000mm/0-160"	0.01mm/0.0005"	0.24mm/0.009"
CDE935A-4000/CDE935AW-4000	300	0-4000mm/0-160"	0.01mm/0.0005"	0.27mm/0.011"
CDE935A-4000/CDE935AW-4000	500	0-4000mm/0-160"	0.01mm/0.0005"	0.34mm/0.013"
CDE935A-5000/CDE935AW-5000	200	0-5000mm/0-200"	0.01mm/0.0005"	0.26mm/0.010"
CDE935A-5000/CDE935AW-5000	300	0-5000mm/0-200"	0.01mm/0.0005"	0.30mm/0.012"
CDE935A-5000/CDE935AW-5000	500	0-5000mm/0-200"	0.01mm/0.0005"	0.36mm/0.014"

IP65 Water-Proof Carbon Fiber Digital Caliper with inductive measuring system



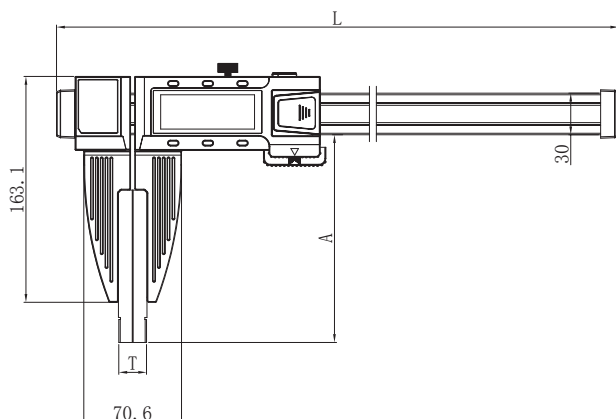
CDE932
CDE932W



SPC-B+C-04
SPC-W1-RS,RS2
SPC-W2-RS,RS2
SPC-W3-RS

- * 电感测量系统
- * IP65防护等级, 确保卡尺在恶劣的环境中也能可靠工作
- * 3V锂电池CR2032, 电池寿命>1年
- * 带SPC数据接口
- * 内置无线传输(可选择)
- * 圆弧型内测量面
- * 含预设功能
- * 主尺采用碳纤维材料

- * Inductive measurement system
- * IP65 protection grade, caliper can work reliably in hard environment
- * 3V lithium battery CR2032, battery life > 1 year
- * SPC data output
- * Built in wireless transmission(optional)
- * Round measuring faces
- * SET button for preset function
- * Main frame is made of carbon fiber



	A(mm)	T(mm)	L(mm)
0-600mm	138	20(0.8")	856
0-600mm	200	20(0.8")	856
0-600mm	300	20(0.8")	856
0-1000mm	138	20(0.8")	1256
0-1000mm	200	20(0.8")	1256
0-1000mm	300	20(0.8")	1256
0-1000mm	500	20(0.8")	1256
0-1500mm	150	20(0.8")	1766
0-1500mm	300	20(0.8")	1766
0-1500mm	500	20(0.8")	1766
0-2000mm	200	20(0.8")	2276
0-2000mm	300	20(0.8")	2276
0-2000mm	500	20(0.8")	2276

货号 Item	量爪 Claw	规格 SPEC	分辨率 Resolution	精度(公差带) Accuracy(Tolerance Range)
CDE932-600/CDE932W-600	138	0-600mm/0-24"	0.01mm/0.0005"	0.05mm/0.002"
CDE932-600/CDE932W-600	200	0-600mm/0-24"	0.01mm/0.0005"	0.07mm/0.003"
CDE932-600/CDE932W-600	300	0-600mm/0-24"	0.01mm/0.0005"	0.10mm/0.004"
CDE932-1000/CDE932W-1000	138	0-1000mm/0-40"	0.01mm/0.0005"	0.06mm/0.0025"
CDE932-1000/CDE932W-1000	200	0-1000mm/0-40"	0.01mm/0.0005"	0.10mm/0.004"
CDE932-1000/CDE932W-1000	300	0-1000mm/0-40"	0.01mm/0.0005"	0.13mm/0.0055"
CDE932-1000/CDE932W-1000	500	0-1000mm/0-40"	0.01mm/0.0005"	0.20mm/0.008"
CDE932-1500/CDE932W-1500	150	0-1500mm/0-60"	0.01mm/0.0005"	0.13mm/0.0055"
CDE932-1500/CDE932W-1500	300	0-1500mm/0-60"	0.01mm/0.0005"	0.17mm/0.007"
CDE932-1500/CDE932W-1500	500	0-1500mm/0-60"	0.01mm/0.0005"	0.30mm/0.012"
CDE932-2000/CDE932W-2000	200	0-2000mm/0-80"	0.01mm/0.0005"	0.17mm/0.007"
CDE932-2000/CDE932W-2000	300	0-2000mm/0-80"	0.01mm/0.0005"	0.20mm/0.008"
CDE932-2000/CDE932W-2000	500	0-2000mm/0-80"	0.01mm/0.0005"	0.35mm/0.014"

IP65 Water-Proof Heavy Duty Digital Caliper with inductive measuring system



CDE910
CDE920/CDE920W
CDE930/CDE930W

CDE910A
CDE920A/CDE920AW
CDE930A/CDE930AW

CDE910B
CDE920B/CDE920BW
CDE930B/CDE930BW

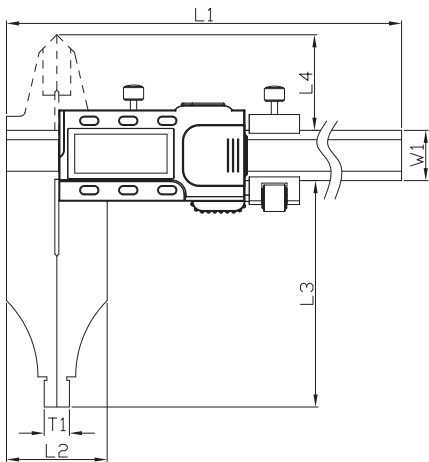
IP65

SPC
数据输出

SPC-B+C-04
SPC-W1-RS,RS2
SPC-W2-RS,RS2
SPC-W3-RS

高防护，可靠性更好
High protection, reliable

- * 电感测量系统
- * IP65防护等级，确保卡尺在恶劣的环境中也能可靠工作
- * 3V锂电池CR2032，电池寿命>1年
- * 带SPC数据接口
- * 内置无线传输(可选择)
- * 带微调装置
- * 圆弧形内测量面
- * 含预设功能
- * Inductive measurement system
- * IP65 protection grade, caliper can work reliably in hard environment
- * 3V lithium battery CR2032, battery life > 1 year
- * SPC data output
- * Built in wireless transmission(optional)
- * Provided with a fine-adjustment carriage
- * Round measuring faces
- * SET button for preset function



单位: mm

	L1	L2	L2(A,B)	L3	L3(A,B)	L4	W1	T1
0-300(12")	445	40	40	90	90	38	20	10(0.5")
0-500(20")	670		52		150	60	24	20
0-600(24")	770	44		100			24	20(0.8")
0-1000(40")	1210	46	60	125	150	63	30	20(0.8")

货号 Item	规格 SPEC	分辨率 Resolution	精度(公差带) Accuracy(Tolerance Range)
CDE910-300	0-300mm/0-12"	0.01mm/0.0005"	0.03mm/0.0015"
CDE920-600/CDE920W-600	0-600mm/0-24"	0.01mm/0.0005"	0.05mm/0.002"
CDE930-1000/CDE930W-1000	0-1000mm/0-40"	0.01mm/0.0005"	0.06mm/0.0025"
CDE910A-300	0-300mm/0-12"	0.01mm/0.0005"	0.03mm/0.0015"
CDE920A-500/CDE920AW-500	0-500mm/0-20"	0.01mm/0.0005"	0.05mm/0.002"
CDE930A-1000/CDE930AW-1000	0-1000mm/0-40"	0.01mm/0.0005"	0.06mm/0.0025"
CDE910B-300	0-300mm/0-12"	0.01mm/0.0005"	0.03mm/0.0015"
CDE920B-500/CDE920BW-600	0-500mm/0-20"	0.01mm/0.0005"	0.05mm/0.002"
CDE930B-1000/CDE930BW-1000	0-1000mm/0-40"	0.01mm/0.0005"	0.06mm/0.0025"

Heavy Duty Digital Caliper with Incremental Capacitive system

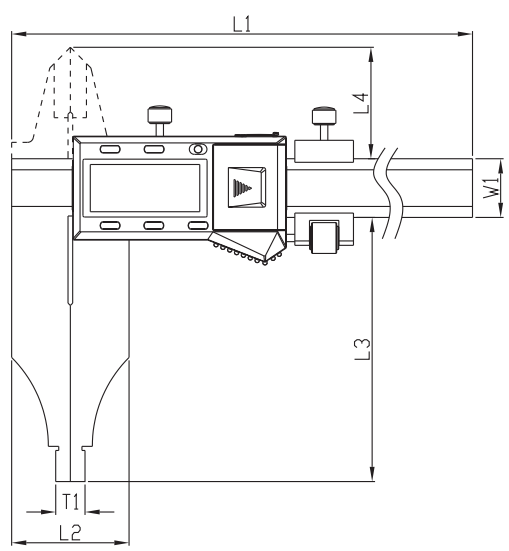


SPC
数据输出

SPC-A+C-01

- * 相对式容栅测量系统
- * 玻璃定栅
- * IP54防护等级
- * 3V锂电池CR2032, 电池寿命>1年
- * 带SPC数据接口
- * 带微调装置
- * 圆弧型内测量面
- * 含预设功能

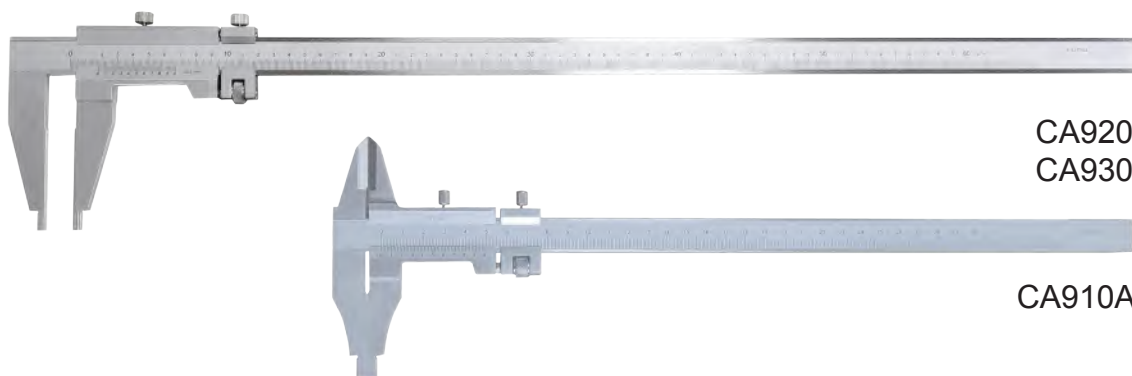
- * Incremental capacitive measurement system
- * Glass scale
- * IP54 Protection grade
- * 3V lithium battery CR2032, battery life > 1 year
- * SPC data output
- * Provided with a fine-adjustment carriage
- * Round measuring faces
- * SET button for preset function



单位: mm

	L1	L2	L2(A,B)	L3	L3(A,B)	L4	W1	T1
0-300(12")	445	40	40	90	90	38	20	10(0.5")
0-500(20")	670		52		150	60	24	20
0-600(24")	770	44		100			24	20(0.8")
0-1000(40")	1210	46	60	125	150	63	30	20(0.8")

货号 Item	规格 SPEC	分辨率 Resolution	精度(公差带) Accuracy(Tolerance Range)
CD950-300	0-300mm/0-12"	0.01mm/0.0005"	0.04mm/0.002"
CD960-600	0-600mm/0-24"	0.01mm/0.0005"	0.05mm/0.002"
CD970-1000	0-1000mm/0-40"	0.01mm/0.0005"	0.06mm/0.0025"
CD950A-300	0-300mm/0-12"	0.01mm/0.0005"	0.04mm/0.002"
CD960A-500	0-500mm/0-20"	0.01mm/0.0005"	0.05mm/0.002"
CD970A-1000	0-1000mm/0-40"	0.01mm/0.0005"	0.06mm/0.0025"
CD950B-300	0-300mm/0-12"	0.01mm/0.0005"	0.04mm/0.002"
CD960B-500	0-500mm/0-20"	0.01mm/0.0005"	0.05mm/0.002"
CD970B-1000	0-1000mm/0-40"	0.01mm/0.0005"	0.06mm/0.0025"



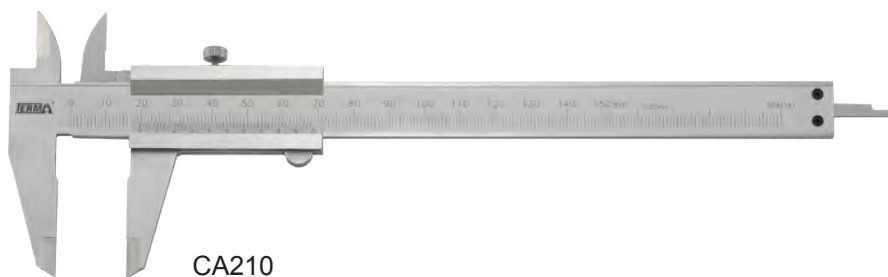
CA920
CA930

CA910A

- * 整体游标
- * 分度值0.02mm
- * 带微调装置，可实现对游标尺微调控制
- * 带圆弧内量爪，可以准确的测量内径

- * Mono-block vernier
- * Resolution: 0.02mm
- * Can fine adjust the measuring face with the fine adjustment device
- * Can measure the diameter accurately with arc internal measuring jaws

货号 Item	规格 SPEC	分辨率 Resolution	精度(公差带) Accuracy(Tolerance Range)
CA910A-300	0-300mm	0.02mm	0.04mm
CA920-500	0-500mm	0.02mm	0.05mm
CA920-600	0-600mm	0.02mm	0.05mm
CA930-1000	0-1000mm	0.02mm	0.06mm



CA210

游标卡尺
Vernier Caliper

- * 可测量内、外、台阶、深度等尺寸
- * Can measure the dimension of outside, inside, steps & depth

货号 Item	规格 SPEC	分辨率 Resolution	精度(公差带) Accuracy(Tolerance Range)
CA210-150	0-150mm/0-6"	0.02mm/0.001"	0.03mm/0.0015"
CA210-200	0-200mm/0-8"	0.02mm/0.001"	0.03mm/0.0015"
CA210-300	0-300mm/0-12"	0.02mm/0.001"	0.04mm/0.002"

Dial & Vernier Caliper



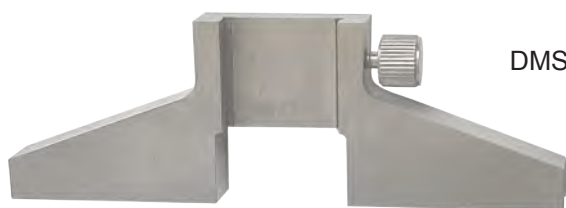
带表卡尺
Dial Caliper

B

* 可测量内、外、台阶、深度等尺寸

* Can measure the dimension of outside, inside, steps & depth

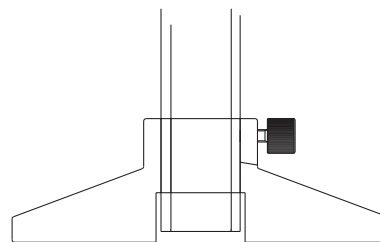
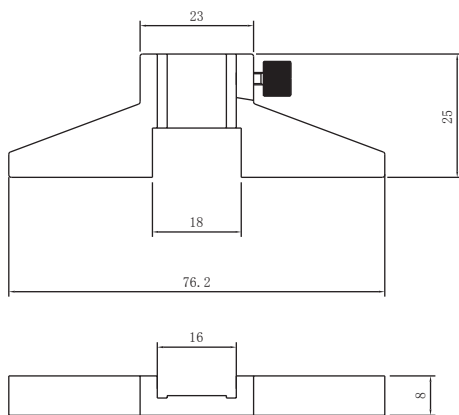
货号 Item	规格 SPEC	分辨率 Resolution	精度(公差带) Accuracy(Tolerance Range)
CB210-150	0-150mm/0-6"	0.02mm/0.001"	0.03mm/0.0015"
CB210-200	0-200mm/0-8"	0.02mm/0.001"	0.03mm/0.0015"
CB210-300	0-300mm/0-12"	0.02mm/0.001"	0.04mm/0.002"



DMS110

- * 用于卡尺测量深度和台阶尺寸；
- * 尺身整体真空淬火，硬度均匀、耐磨，使用寿命更长；
- * 优质不锈钢材料。

- * Used for caliper measurement of depth and step height.
- * The ruler body is quenched in vacuum, with uniform hardness, wear resistance and longer service life.
- * High quality stainless steel material.



Water-Proof Digital Micro Indicator with inductive measuring system



SPC-B+C-07
SPC-W1-RS6
SPC-W2-RS6



模拟指针显示
Analog pointer display



GO

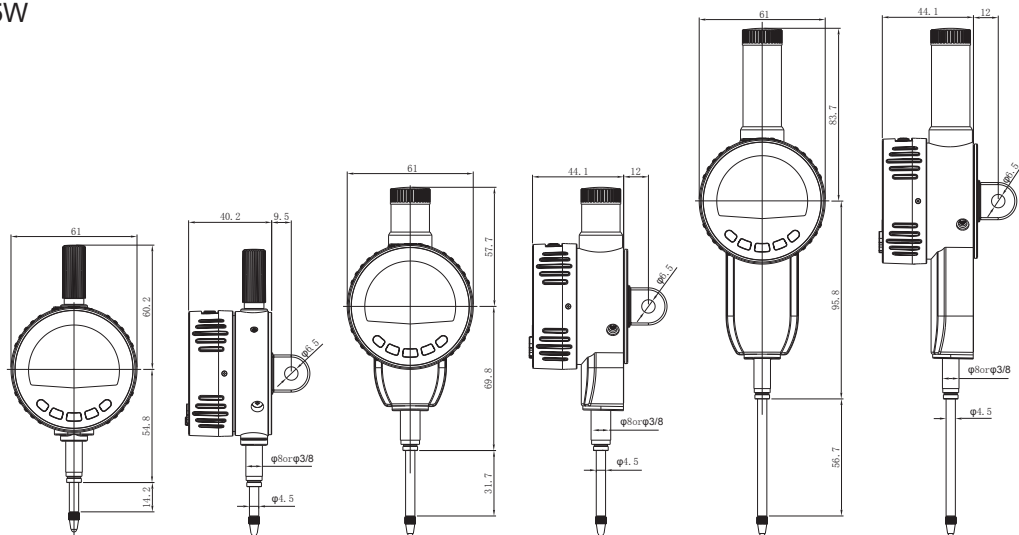


NG

- * 电感测量系统
- * IP65防护等级
- * 带SPC数据输出(内置无线传输机型, SPC输出端口仅作为外部电源供电输入端口)
- * 内置无线传输(可选择)
- * 可设置公差, 并进行GO(绿光)/NG(红光)判断
- * 可设置“+”“-”显示方向
- * 分辨率: 0.001mm/0.01mm转换
- * 模拟指针

- * Inductive measurement system
- * IP65 Protection grade
- * SPC data output(To built in wireless transmission model, the SPC output port is only used as external power input port)
- * Built in wireless transmission (optional)
- * Tolerance preset and GO(Green light)/NG(Red light) judgement
- * "+" or "-" direction set
- * Resolution: 0.001mm/0.01mm convert
- * Analog pointer display

IDE935
IDE935W

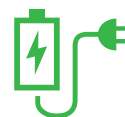


货号 Item	规格 SPEC	分辨率 Resolution	精度(公差带) Accuracy(Tolerance Range)	重复性 Repeatability
IDE935/IDE935W-12	0-12.7mm/0-0.5"	0.001mm/0.00005"	0.007mm/0.0003"	0.001mm/0.00005"
IDE935/IDE935W-25	0-25.4mm/0-1.0"	0.001mm/0.00005"	0.008mm/0.0003"	0.001mm/0.00005"
IDE935/IDE935W-50	0-50.8mm/0-2.0"	0.001mm/0.00005"	0.010mm/0.0004"	0.001mm/0.00005"

Digital Micro Indicator with Absolute Capacitive system



IDA935
IDA935W



0.5μ

SPC
数据输出

SPC-B+C-07
SPC-W1-RS6
SPC-W2-RS6



模拟指针显示
Analog pointer display



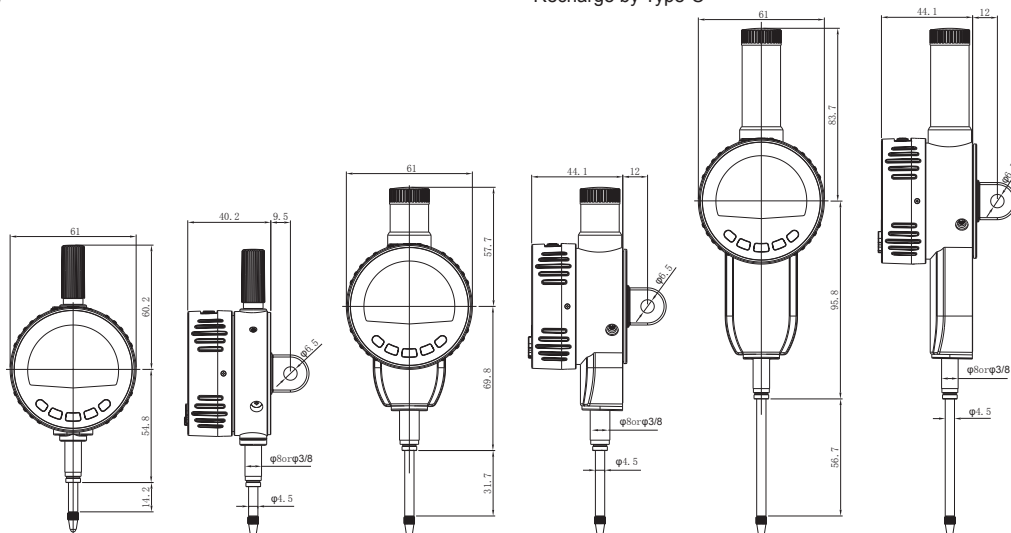
GO

NG



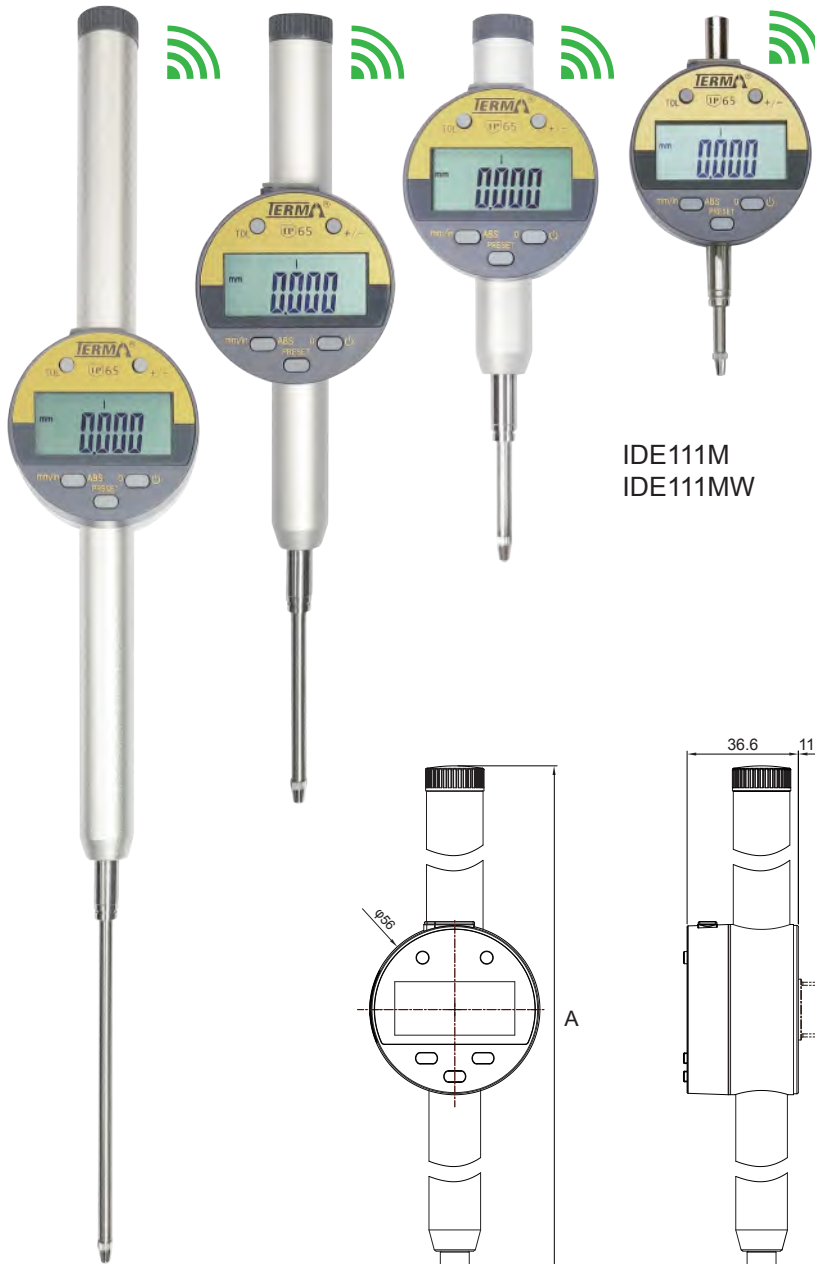
- * 绝对式容栅测量系统
- * IP54防护等级
- * 带SPC数据输出(内置无线传输机型, SPC输出端口仅作为外部电源供电输入端口)
- * 内置无线传输(可选择)
- * 可在任意位置设置绝对原点
- * 可设置公差, 并进行GO(绿光)/NG(红光)判断
- * 可设置“+”“-”显示方向
- * 分辨率: 0.0005mm/0.001mm转换
- * 超大屏幕显示
- * Type-C充电

- * Absolute capacitive measurement system
- * IP54 Protection grade
- * SPC data output(To built in wireless transmission model, the SPC output port is only used as external power input port)
- * Built in wireless transmission (optional)
- * Absolute origin set at any position
- * Tolerance preset and GO(Green light)/NG(Red light) judgement
- * “+” or “-” direction set
- * Resolution: 0.0005mm/0.001mm convert
- * Large screen display
- * Recharge by Type-C



货号 Item	规格 SPEC	分辨率 Resolution	精度(公差带) Accuracy(Tolerance Range)	重复性 Repeatability
IDA935/IDA935W-12	0-12.7mm/0-0.5"	0.0005mm/0.00002"	0.002mm/0.0001"	0.0005mm/0.00002"
IDA935/IDA935W-25	0-25.4mm/0-1.0"	0.0005mm/0.00002"	0.0025mm/0.0001"	0.0005mm/0.00002"
IDA935/IDA935W-50	0-50.8mm/0-2.0"	0.0005mm/0.00002"	0.003mm/0.00015"	0.0005mm/0.00002"

Water-Proof Digital Micro Indicator with inductive measuring system



SPC
数据输出

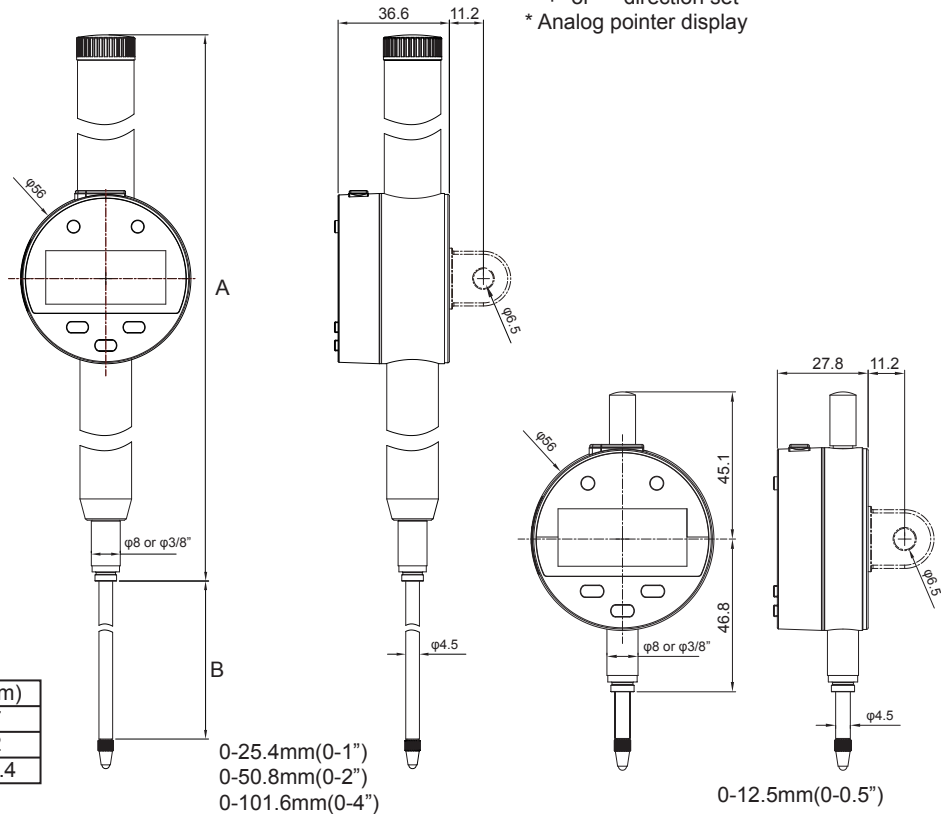
IP65

SPC-B+C-01
SPC-W1-RS1,RS3
SPC-W2-RS1,RS3

IDE111M
IDE111MW

- * 电感测量系统
- * IP65防护等级
- * 3V锂电池CR2032, 电池寿命>1年
- * 带SPC数据输出(内置无线传输机型, SPC输出端口仅作为外部电源供电输入端口)
- * 内置无线传输(可选择)
- * 可设置公差, 并进行GO/NG判断
- * 可设置“+”“-”显示方向
- * 模拟指针

- * Inductive measurement system
- * IP65 Protection grade
- * 3V Lithium battery CR2032, battery life > 1 year
- * SPC data output(To built in wireless transmission model, the SPC output port is only used as external power input port)
- * Built in wireless transmission (optional)
- * Tolerance preset and GO/NG judgement
- * “+” or “-” direction set
- * Analog pointer display



	A(mm)	B(mm)
0-25.4mm(0-1")	129.2	27
0-50.8mm(0-2")	179.7	52
0-101.6mm(0-4")	281.8	103.4

货号 Item	规格 SPEC	分辨率 Resolution	精度(公差带) Accuracy(Tolerance Range)	重复性 Repeatability
IDE111M/IDE111MW-12	0-12.7mm/0-0.5"	0.001mm/0.00005"	0.007mm/0.0003"	0.003mm/0.0001"
IDE111M/IDE111MW-25	0-25.4mm/0-1.0"	0.001mm/0.00005"	0.008mm/0.0003"	0.003mm/0.0001"
IDE111M/IDE111MW-50	0-50.8mm/0-2.0"	0.001mm/0.00005"	0.010mm/0.0004"	0.003mm/0.0001"
IDE111M/IDE111MW-100	0-101.6mm/0-4.0"	0.001mm/0.00005"	0.015mm/0.0006"	0.003mm/0.0001"

Water-Proof Digital Indicator with inductive measuring system



SPC
数据输出

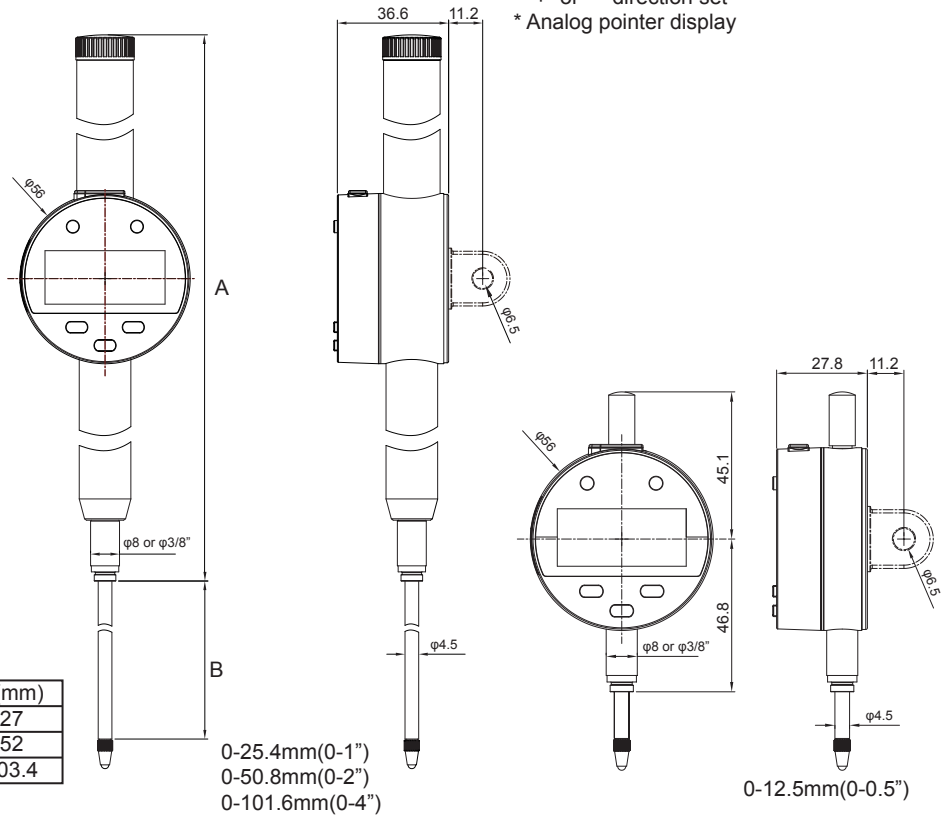
IP65

SPC-B+C-01
SPC-W1-RS1,RS3
SPC-W2-RS1,RS3

IDE111N
IDE111NW

- * 电感测量系统
- * IP65防护等级
- * 3V锂电池CR2032, 电池寿命>1年
- * 带SPC数据输出(内置无线传输机型, SPC输出端口仅作为外部电源供电输入端口)
- * 内置无线传输(可选择)
- * 可设置公差, 并进行GO/NG判断
- * 可设置“+”“-”显示方向
- * 模拟指针

- * Inductive measurement system
- * IP65 Protection grade
- * 3V Lithium battery CR2032, battery life > 1 year
- * SPC data output(To built in wireless transmission model, the SPC output port is only used as external power input port)
- * Built in wireless transmission (optional)
- * Tolerance preset and GO/NG judgement
- * “+” or “-” direction set
- * Analog pointer display



	A(mm)	B(mm)
0-25.4mm(0-1")	129.2	27
0-50.8mm(0-2")	179.7	52
0-101.6mm(0-4")	281.8	103.4

货号 Item	规格 SPEC	分辨率 Resolution	精度(公差带) Accuracy(Tolerance Range)	重复性 Repeatability
IDE111N/IDE111NW-12	0-12.7mm/0-0.5"	0.01mm/0.0005"	0.015mm/0.0006"	0.010mm/0.0004"
IDE111N/IDE111NW-25	0-25.4mm/0-1.0"	0.01mm/0.0005"	0.015mm/0.0006"	0.010mm/0.0004"
IDE111N/IDE111NW-50	0-50.8mm/0-2.0"	0.01mm/0.0005"	0.020mm/0.0008"	0.010mm/0.0004"
IDE111N/IDE111NW-100	0-101.6mm/0-4.0"	0.01mm/0.0005"	0.025mm/0.0010"	0.010mm/0.0004"

Water-Proof Digital Micro Indicator with inductive measuring system

SPC
数据输出

IP65

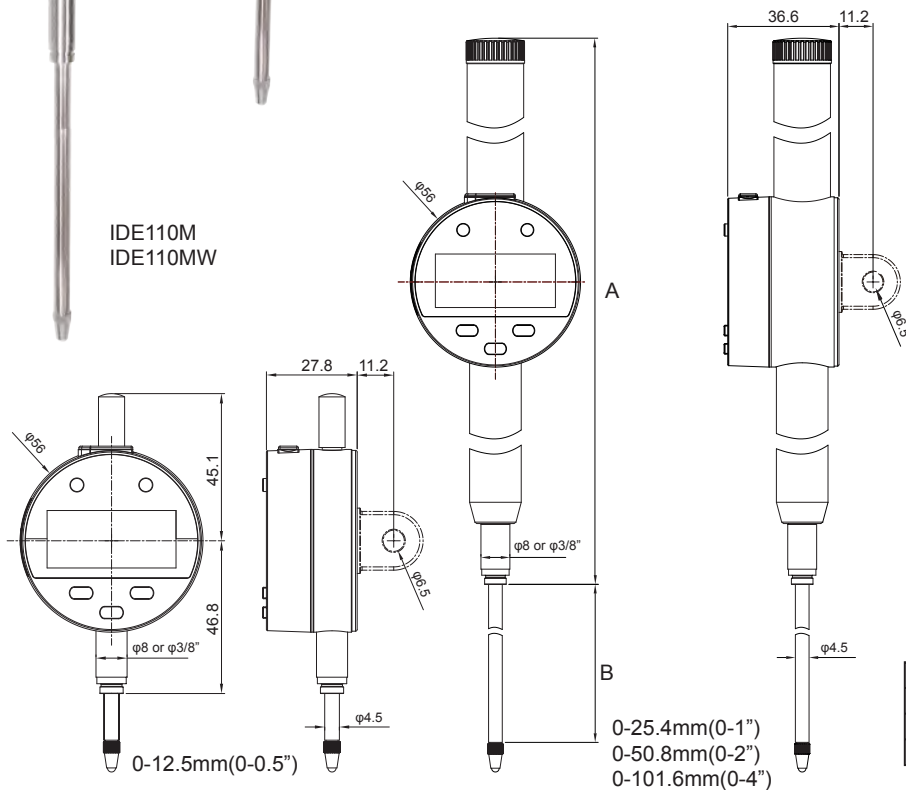
SPC-B+C-01
SPC-W1-RS1,RS3
SPC-W2-RS1,RS3

- * 电感测量系统
- * IP65防护等级
- * 3V锂电池CR2032, 电池寿命>1年
- * 带SPC数据输出(内置无线传输机型, SPC输出端口仅作为外部电源供电输入端口)
- * 内置无线传输(可选择)
- * 可设置公差, 并进行GO/NG判断
- * 可设置“+”“-”显示方向
- * 模拟指针

- * Inductive measurement system
- * IP65 Protection grade
- * 3V Lithium battery CR2032, battery life > 1 year
- * SPC data output(To built in wireless transmission model, the SPC output port is only used as external power input port)
- * Built in wireless transmission (optional)
- * Tolerance preset and GO/NG judgement
- * “+” or “-” direction set
- * Analog pointer display



IDE110M
IDE110MW



	A(mm)	B(mm)
0-25.4mm(0-1")	129.2	27
0-50.8mm(0-2")	179.7	52
0-101.6mm(0-4")	281.8	103.4

货号 Item	规格 SPEC	分辨率 Resolution	精度(公差带) Accuracy(Tolerance Range)	重复性 Repeatability
IDE110M/IDE110MW-12	0-12.7mm/0-0.5"	0.001mm/0.00005"	0.007mm/0.0003"	0.003mm/0.0001"
IDE110M/IDE110MW-25	0-25.4mm/0-1.0"	0.001mm/0.00005"	0.008mm/0.0003"	0.003mm/0.0001"
IDE110M/IDE110MW-50	0-50.8mm/0-2.0"	0.001mm/0.00005"	0.010mm/0.0004"	0.003mm/0.0001"
IDE110M/IDE110MW-100	0-101.6mm/0-4.0"	0.001mm/0.00005"	0.015mm/0.0006"	0.003mm/0.0001"

Water-Proof Digital Indicator with inductive measuring system



SPC
数据输出

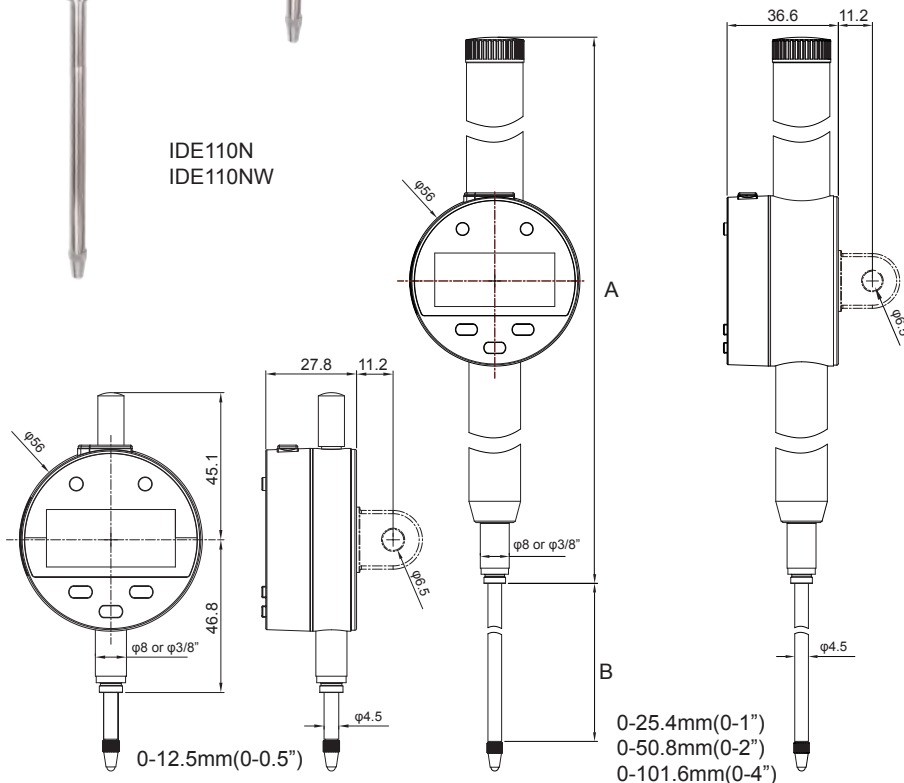
iP65

SPC-B+C-01
SPC-W1-RS1,RS3
SPC-W2-RS1,RS3

- * 电感测量系统
- * IP65防护等级
- * 3V锂电池CR2032, 电池寿命>1年
- * 带SPC数据输出(内置无线传输机型, SPC输出端口仅作为外部电源供电输入端口)
- * 内置无线传输(可选择)
- * 可设置公差, 并进行GO/NG判断
- * 可设置“+”“-”显示方向
- * 模拟指针

- * Inductive measurement system
- * IP65 Protection grade
- * 3V Lithium battery CR2032, battery life > 1 year
- * SPC data output(To built in wireless transmission model, the SPC output port is only used as external power input port)
- * Built in wireless transmission (optional)
- * Tolerance preset and GO/NG judgement
- * “+” or “-” direction set
- * Analog pointer display

IDE110N
IDE110NW



	A(mm)	B(mm)
0-25.4mm(0-1")	129.2	27
0-50.8mm(0-2")	179.7	52
0-101.6mm(0-4")	281.8	103.4

货号 Item	规格 SPEC	分辨率 Resolution	精度(公差带) Accuracy(Tolerance Range)	重复性 Repeatability
IDE110N/IDE110NW-12	0-12.7mm/0-0.5"	0.01mm/0.0005"	0.015mm/0.0006"	0.010mm/0.0004"
IDE110N/IDE110NW-25	0-25.4mm/0-1.0"	0.01mm/0.0005"	0.015mm/0.0006"	0.010mm/0.0004"
IDE110N/IDE110NW-50	0-50.8mm/0-2.0"	0.01mm/0.0005"	0.020mm/0.0008"	0.010mm/0.0004"
IDE110N/IDE110NW-100	0-101.6mm/0-4.0"	0.01mm/0.0005"	0.025mm/0.0010"	0.010mm/0.0004"

Digital Micro Indicator with Absolute Capacitive system



SPC
数据输出

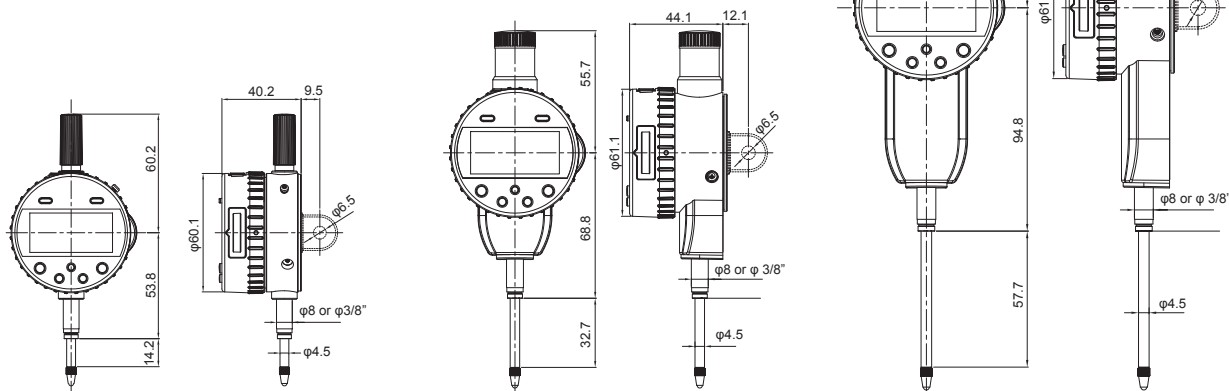
SPC-B+C-04
SPC-W1-RS,RS2
SPC-W2-RS,RS2
SPC-W3-RS

-ABS→

- * 绝对式电容栅测量系统
- * IP54防护等级
- * 3V锂电池CR2032, 电池寿命>1年
- * 带SPC数据输出(内置无线传输机型, SPC输出端口仅作为外部电源供电输入端口)
- * 内置无线传输(可选择)
- * 可在任意位置设置绝对原点
- * 可设置公差, 并进行GO/NG判断
- * 可设置“+”“-”显示方向

- * Absolute capacitive measurement system
- * IP54 Protection grade
- * 3V Lithium battery CR2032, battery life > 1 year
- * SPC data output(To built in wireless transmission model, the SPC output port is only used as external power input port)
- * Built in wireless transmission (optional)
- * Absolute origin set at any position
- * Tolerance preset and GO/NG judgement
- * “+” or “-” direction set

IDA910
IDA910W



货号 Item	规格 SPEC	分辨率 Resolution	精度(公差带) Accuracy(Tolerance Range)	重复性 Repeatability
IDA910-10/910W-10	0-12.7mm/0-0.5"	0.001mm/0.00005"	0.003mm/0.00012"	0.001mm/0.00005"
IDA910-25/910W-25	0-25.4mm/0-1.0"	0.001mm/0.00005"	0.003mm/0.00012"	0.001mm/0.00005"
IDA910-50/910W-50	0-50.8mm/0-2.0"	0.001mm/0.00005"	0.004mm/0.00016"	0.001mm/0.00005"

Digital Indicator with Absolute Capacitive system



SPC
数据输出

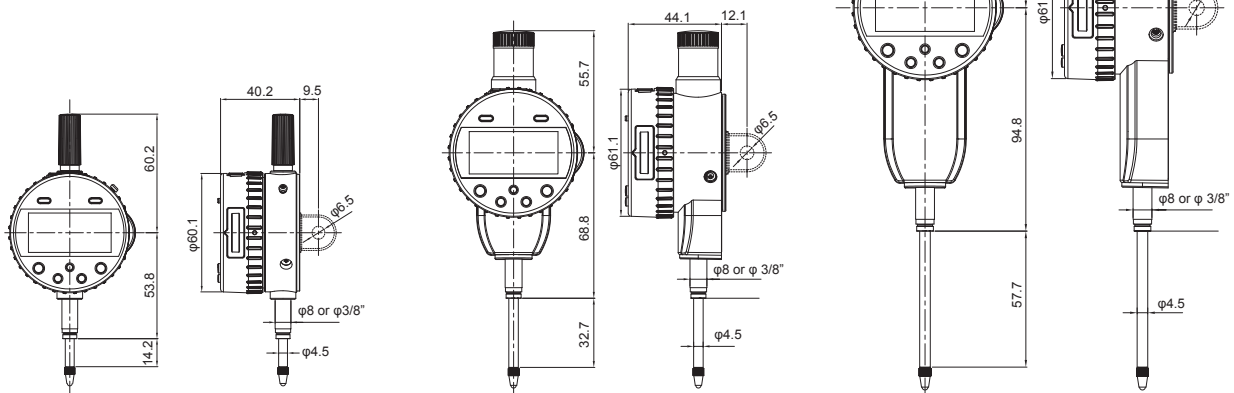
SPC-B+C-04
SPC-W1-RS,RS2
SPC-W2-RS,RS2
SPC-W3-RS

-ABS→

- * Absolute capacitive measurement system
- * IP54 Protection grade
- * 3V Lithium battery CR2032, battery life > 1 year
- * SPC data output (To built in wireless transmission model, the SPC output port is only used as external power input port)
- * Built in wireless transmission (optional)
- * Absolute origin set at any position
- * Tolerance preset and GO/NG judgement
- * "+" or "-" direction set

- * 绝对式容栅测量系统
- * IP54防护等级
- * 3V锂电池CR2032, 电池寿命>1年
- * 带SPC数据输出(内置无线传输机型, SPC输出端口仅作为外部电源供电输入端口)
- * 内置无线传输(可选择)
- * 可在任意位置设置绝对原点
- * 可设置公差, 并进行GO/NG判断
- * 可设置“+”“-”显示方向

IDA910N
IDA910NW



货号 Item	规格 SPEC	分辨率 Resolution	精度(公差带) Accuracy(Tolerance Range)	重复性 Repeatability
IDA910N-10/910NW-10	0-12.7mm/0-0.5"	0.01mm/0.0005"	0.01mm/0.0005"	0.01mm/0.0005"
IDA910N-25/910NW-25	0-25.4mm/0-1.0"	0.01mm/0.0005"	0.01mm/0.0005"	0.01mm/0.0005"
IDA910N-50/910NW-50	0-50.8mm/0-2.0"	0.01mm/0.0005"	0.015mm/0.001"	0.01mm/0.0005"

Digital Micro Indicator with Absolute Capacitive system



提升杆
Lifting bar



快门线(选购)
Lifting release



提升架(0.5"选购)
Lifting frame



具备无线传输功能的数显量表带有DATA键(可选择)

The indicator with data button on the face for wireless data transmission function (option)

表头可旋转330°

Display can be rotated from 0-330°



Digital Indicator with Absolute Capacitive system



IDA920N

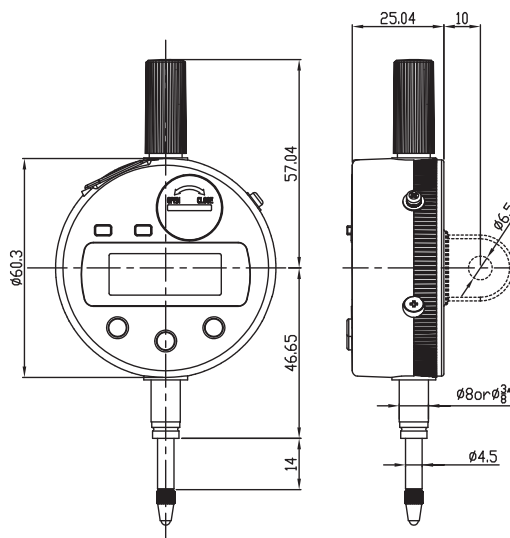
SPC
数据输出

SPC-B+C-04
SPC-W1-RS,RS2
SPC-W2-RS,RS2
SPC-W3-RS

-ABS→

- * 绝对式容栅测量系统
- * IP54防护等级
- * 3V锂电池CR1130, 电池寿命>1年
- * 带SPC数据输出
- * 可在任意位置设置绝对原点
- * 可设置公差, 并进行GO/NG判断
- * 可设置“+”“-”显示方向

- * Absolute capacitive measurement system
- * IP54 Protection grade
- * 3V Lithium battery CR1130, battery life > 1 year
- * SPC data output
- * Absolute origin set at any position
- * Tolerance preset and GO/NG judgement
- * “+” or “-” direction set



货号 Item	规格 SPEC	分辨率 Resolution	精度(公差带) Accuracy(Tolerance Range)	重复性 Repeatability
IDA920N	0-12.7mm/0-0.5"	0.01mm/0.0005"	0.015mm/0.001"	0.01mm/0.0005"



IDA910-BM
IDA910W-BM

SPC
数据输出

SPC-B+C-04
SPC-W1-RS,RS2
SPC-W2-RS,RS2
SPC-W3-RS

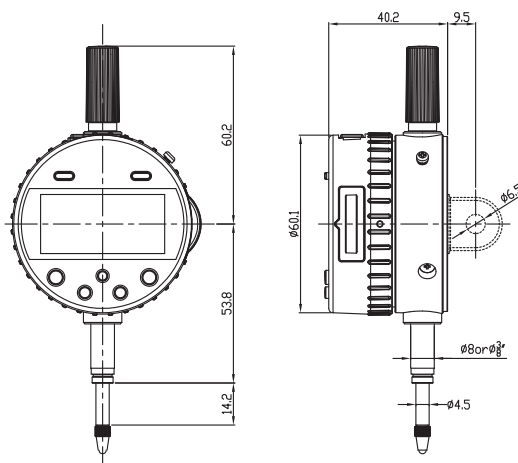
-ABS-

- * 绝对式容栅测量系统
- * IP54防护等级
- * 3V锂电池CR2032, 电池寿命>1年
- * 带SPC数据输出(内置无线传输机型, SPC输出端口仅作为外部电源供电输入端口)
- * 内置无线传输(可选择)
- * 可在任意位置设置绝对原点
- * 可设置“+”“-”显示方向
- * 最小值跟踪功能可自动寻找被测直径

- * Absolute capacitive measurement system
- * IP54 Protection grade
- * 3V Lithium battery CR2032, battery life > 1 year
- * SPC data output(To built in wireless transmission model, the SPC output port is only used as external power input port)
- * Built in wireless transmission (optional)
- * Absolute origin set at any position
- * “+” or “-” direction set
- * Minimum data tracing function can find the diameter measured automatically



IDA910-BN
IDA910W-BN



货号 Item	规格 SPEC	分辨率 Resolution	精度(公差带) Accuracy(Tolerance Range)	重复性 Repeatability
IDA910-BM/IDA910W-BM	0-12.7mm/0-0.5"	0.001mm/0.00005"	0.003mm/0.00012"	0.001mm/0.00005"
IDA910-BN/IDA910W-BN	0-12.7mm/0-0.5"	0.001mm/0.00005"	0.01mm/0.0005"	0.003mm/0.00015"

Digital Micro Indicator with Absolute Capacitive system



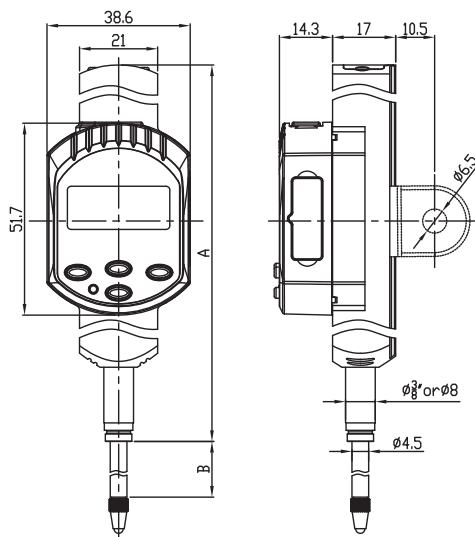
-ABS→

SPC
数据输出

SPC-B+C-04
SPC-W1-RS,RS2
SPC-W2-RS,RS2
SPC-W3-RS

- * 绝对式容栅测量系统
- * IP54防护等级
- * SPC数据输出
- * Absolute capacitive measurement system
- * IP54 Protection grade
- * SPC data output

IDA950



	A(mm)	B(mm)
0-12.7mm	101.4	15
0-25.4mm	126.4	37
0-50.8mm	176.9	63
0-101.6mm	277.4	113

货号 Item	规格 SPEC	分辨率 Resolution	精度(公差带) Accuracy(Tolerance Range)	重复性 Repeatability
IDA950-12.7	0-12.7mm/0-0.5"	0.001mm/0.00005"	0.007mm/0.0003"	0.003mm/0.0001"
IDA950-25	0-25.4mm/0-1.0"	0.001mm/0.00005"	0.008mm/0.0003"	0.003mm/0.0001"
IDA950-50	0-50.8mm/0-2.0"	0.001mm/0.00005"	0.010mm/0.0004"	0.003mm/0.0001"
IDA950-100	0-101.6mm/0-4.0"	0.001mm/0.00005"	0.015mm/0.0006"	0.003mm/0.0001"

Digital Micro Indicator with Absolute Capacitive system



IDA950H-30

SPC
数据输出

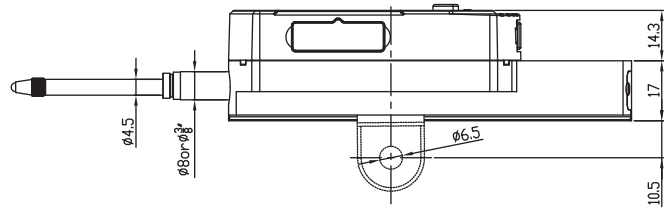
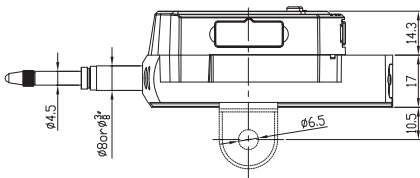
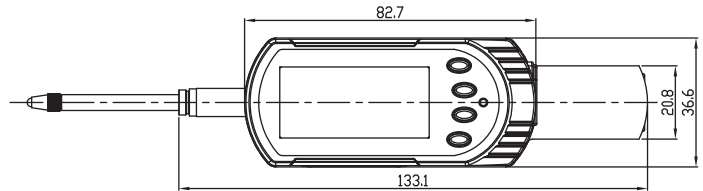
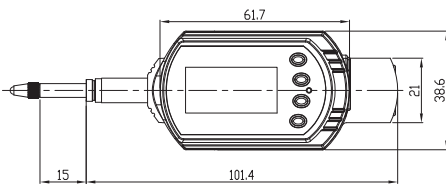
SPC-B+C-04
SPC-W1-RS,RS2
SPC-W2-RS,RS2
SPC-W3-RS



IDA950H-12

- * 绝对式容栅测量系统
- * IP54防护等级
- * 3V锂电池CR2032, 电池寿命>1年
- * 带SPC数据输出
- * 可在任意位置设置绝对原点
- * 可设置“+”“-”显示方向

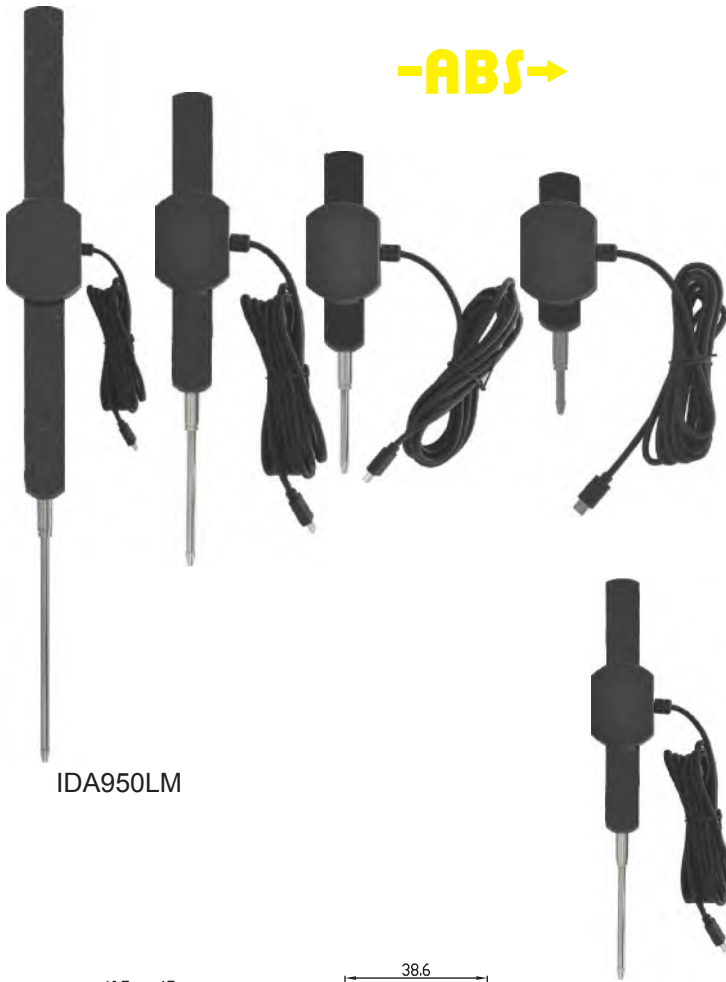
- * Absolute capacitive measurement system
- * IP54 Protection grade
- * 3V Lithium battery CR2032, battery life > 1 year
- * SPC data output
- * Absolute origin set at any position
- * “+” or “-” direction set



货号 Item	规格 SPEC	分辨率 Resolution	精度(公差带) Accuracy(Tolerance Range)	重复性 Repeatability
IDA950H-30	0-30mm/0-1.2"	0.001mm/0.00005"	0.004mm/0.00015"	0.001mm/0.00005"
IDA950H-12.7	0-12.7mm/0-0.5"	0.001mm/0.00005"	0.003mm/0.00015"	0.001mm/0.00005"

ABSOLUTE linear probe

-ABS-→

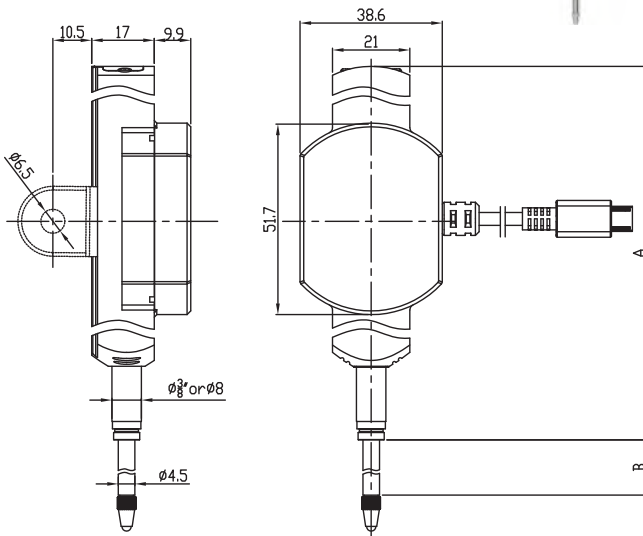


IDA950LM

- * 绝对式容栅测量系统
- * IP54防护等级
- * 可外接显示器
- * 数据信号可接入用户设备中，满足扩展用户功能需求

- * Absolute capacitive measurement system
- * IP54 Protection grade
- * External display
- * The data signal can be transmitted to user equipment to expand function

ZDA250-T



	A(mm)	B(mm)
0-12.7mm	101.4	15
0-25.4mm	126.4	37
0-50.8mm	176.9	63
0-101.6mm	277.4	113

货号 Item	规格 SPEC	分辨率 Resolution	精度(公差带) Accuracy(Tolerance Range)	重复性 Repeatability
IDA950LM-12.7	0-12.7mm/0-0.5"	0.001mm/0.00005"	0.007mm/0.0003"	0.003mm/0.0001"
IDA950LM-25	0-25.4mm/0-1.0"	0.001mm/0.00005"	0.008mm/0.0003"	0.003mm/0.0001"
IDA950LM-50	0-50.8mm/0-2.0"	0.001mm/0.00005"	0.010mm/0.0004"	0.003mm/0.0001"
IDA950LM-100	0-101.6mm/0-4.0"	0.001mm/0.00005"	0.015mm/0.0006"	0.003mm/0.0001"

Water-Proof linear probe with inductive measuring system



IDE 120M
IDE 120MW

SPC
数据输出

SPC-B+C-01
SPC-W1-RS1,RS3
SPC-W2-RS1,RS3

iP65

- * 电感测量系统
- * IP65防护等级
- * 3V锂电池CR2032, 电池寿命>1年
- * 带SPC数据输出(内置无线传输机型, SPC输出端口仅作为外部电源供电输入端口)
- * 内置无线传输(可选择)
- * 模拟指针

- * Inductive measurement system
- * IP65 Protection grade
- * 3V Lithium battery CR2032, battery life > 1 year
- * SPC data output(To built in wireless transmission model, the SPC output port is only used as external power input port)
- * Built in wireless transmission(optional)
- * Analog pointer display

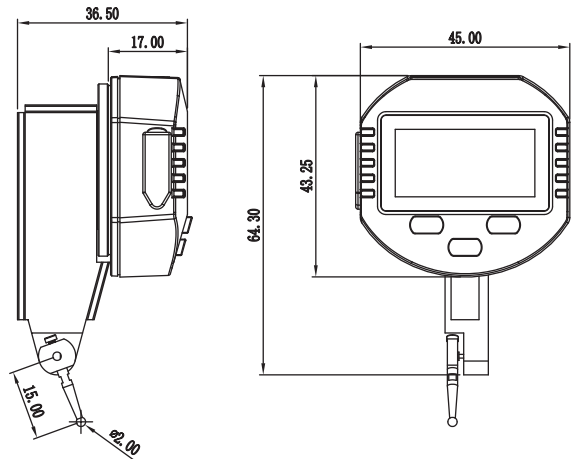


IDE 120
IDE 120W

SPC
数据输出

SPC-B+C-01
SPC-W1-RS1,RS3
SPC-W2-RS1,RS3

iP65



货号 Item	规格 SPEC	分辨率 Resolution	精度(公差带) Accuracy(Tolerance Range)	重复性 Repeatability
IDE 120/IDE 120W	0-0.8mm/0-0.03"	0.001mm/0.00005"	0.013mm/0.0005"	0.003mm/0.0005"
IDE 120M/IDE 120MW	0-0.2mm/0-0.008"	0.001mm/0.00005"	0.005mm/0.0002"	0.001mm/0.00005"

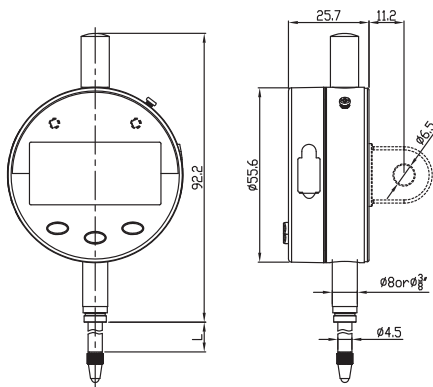
Digital Indicator



ID220

SPC
数据输出

SPC-A+C-01



- * 相对容栅测量系统
- * 3V锂电池CR2032, 电池寿命>1年
- * 带SPC数据输出

- * Incremental capacitive measurement system
- * 3V Lithium battery CR2032, battery life > 1 year
- * SPC data output

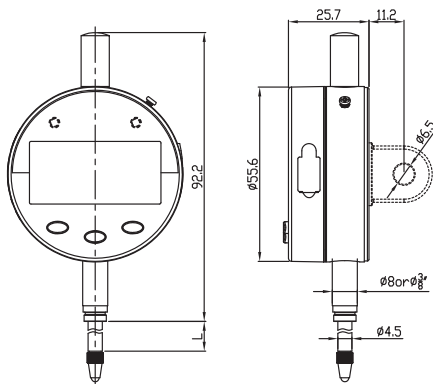
货号 Item	规格 SPEC	分辨率 Resolution	精度(公差带) Accuracy(Tolerance Range)
ID220-12	0-12.7mm/0-0.5"	0.01mm/0.0005"	0.02mm/0.001"
ID220-25	0-25.4mm/0-1.0"	0.01mm/0.0005"	0.03mm/0.0015"



ID220F

SPC
数据输出

SPC-A+C-01



- * 相对容栅测量系统
- * 3V锂电池CR2032, 电池寿命>1年
- * 带SPC数据输出

- * Incremental capacitive measurement system
- * 3V Lithium battery CR2032, battery life > 1 year
- * SPC data output

货号 Item	规格 SPEC	分辨率 Resolution	精度(公差带) Accuracy(Tolerance Range)
ID220F-12	0-12.7mm/0-0.5"	0.01mm/0.0005"/1/128"	0.02mm/0.001"
ID220F-25	0-25.4mm/0-1.0"	0.01mm/0.0005"/1/128"	0.03mm/0.0015"



IB210M

- * 全金属表圈和表壳
- * 硬质不锈钢夹持杆和测杆
- * 量程：0-1mm
- * 分度值：0.001mm
- * 精度：0.005mm
- * 回程差：0.002mm
- * 另带有红色反向读数

- * Full-metal bezel and case housing
- * Shank and plunger in hardened stainless steel
- * Range: 0-1mm
- * Resolution: 0.001mm
- * Accuracy: 0.005mm
- * Hysteresis: 0.002mm
- * With extra red tinted reverse numbering



IB210N

- * 全金属表圈和表壳
- * 硬质不锈钢夹持杆和测杆
- * 量程：0-10mm
- * 分度值：0.01mm
- * 精度：0.02mm
- * 回程差：0.003mm
- * 另带有红色反向读数

- * Full-metal bezel and case housing
- * Shank and plunger in hardened stainless steel
- * Range: 0-10mm
- * Resolution: 0.01mm
- * Accuracy: 0.02mm
- * Hysteresis: 0.003mm
- * With extra red tinted reverse numbering

Dial Lever Indicator



IB220M

- * 量程: 0-0.2mm
- * 分度值: 0.002mm
- * 精度: 0.007mm
- * 回程差: 0.002mm
- * 硬质合金测量头

- * Range: 0-0.2mm
- * Resolution: 0.002mm
- * Accuracy: 0.007mm
- * Hysteresis: 0.002mm
- * Carbide contact point



IB220N

- * 量程: 0-0.8mm
- * 分度值: 0.01mm
- * 精度: 0.013mm
- * 回程差: 0.003mm
- * 硬质合金测量头

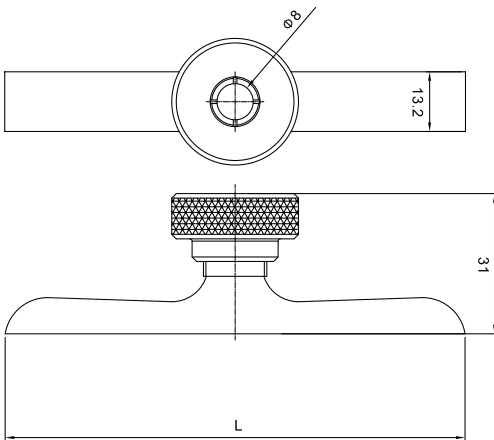
- * Range: 0-0.8mm
- * Resolution: 0.01mm
- * Accuracy: 0.013mm
- * Hysteresis: 0.003mm
- * Carbide contact point



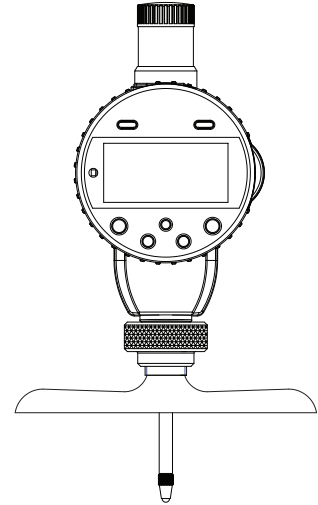
与百分表、千分表配合使用，
可精确测量槽、孔等深度。

Use with indicator, it can
accurately measure the depth
of slot, hole, etc.

DMS210



货号 Item	L
DMS210-2.5"	64mm/2.5"
DMS210-4"	101.6/4"
DMS210-5"	127mm/5"
DMS210-8"	200mm/8"



C



SPC
数据输出

SPC-B+C-04
SPC-W1-RS,RS2
SPC-W2-RS,RS2
SPC-W3-RS

-ABS- →

BGA910M
BGA910MW

- * 绝对式容栅测量系统
- * IP54防护等级
- * 3V锂电池CR2032, 电池寿命>1年
- * 带SPC数据输出(内置无线传输机型, SPC输出端口仅作为外部电源供电输入端口)
- * 内置无线传输(可选择)
- * 输入环规尺寸后可直接读取被测直径值
- * 最小值跟踪功能可自动寻找被测直径
- * 可在任意位置设置绝对原点
- * 可设置“+”“-”显示方向

- * Absolute capacitive measurement system
- * IP54 Protection grade
- * 3V lithium battery CR2032,battery life more than 1 year
- * SPC data output(To built in wireless transmission model, the SPC output port is only used as external power input port)
- * Built in bluetooth transmission (optional)
- * You can get the diameter value you want to measure directly after you finish calibrate the gage
- * Minimum data tracing function can find the diameter you measured automaticly
- * Absolute origin set at any position
- * “+” or “-” direction set

规格 SPEC	分辨率 Resolution	精度(公差带) Accuracy(Tolerance Range)	重复性 Repeatability
18-35mm/0.7-1.4"	0.001mm/0.00005"	0.006mm/0.00024"	0.002mm/0.0001"
35-50mm/1.4-2.0"	0.001mm/0.00005"	0.006mm/0.00024"	0.002mm/0.0001"
50-160mm/2.0-6.0"	0.001mm/0.00005"	0.007mm/0.00028"	0.002mm/0.0001"
160-250mm/6.0-10.0"	0.001mm/0.00005"	0.007mm/0.00028"	0.002mm/0.0001"
250-450mm/10.0-17.7"	0.001mm/0.00005"	0.007mm/0.00028"	0.002mm/0.0001"



SPC
数据输出

SPC-B+C-04
SPC-W1-RS,RS2
SPC-W2-RS,RS2
SPC-W3-RS

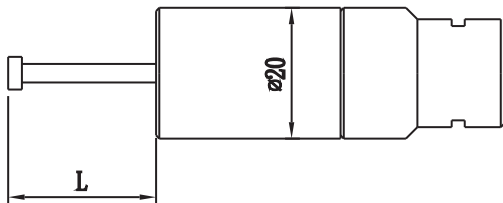
-ABS-→

BGA910N
BGA910NW

- * 绝对式容栅测量系统
 - * IP54防护等级
 - * 3V锂电池CR2032, 电池寿命>1年
 - * 带SPC数据输出(内置无线传输机型, SPC输出端口仅作为外部电源供电输入端口)
 - * 内置无线传输(可选择)
 - * 输入环规尺寸后可直接读取被测直径值
 - * 最小值跟踪功能可自动寻找被测直径
 - * 可在任意位置设置绝对原点
 - * 可设置“+”“-”显示方向
-
- * Absolute capacitive measurement system
 - * IP54 Protection grade
 - * 3V lithium battery CR2032,battery life more than 1 year
 - * SPC data output(To built in wireless transmission model, the SPC output port is only used as external power input port)
 - * Built in bluetooth transmission (optional)
 - * You can get the diameter value you want to measure directly after you finish calibrate the gage
 - * Minimum data tracing function can find the diameter you measured automatically
 - * Absolute origin set at any position
 - * “+” or “-” direction set

规格 SPEC	分辨率 Resolution	精度(公差带) Accuracy(Tolerance Range)	重复性 Repeatability
18-35mm/0.7-1.4"	0.001mm/0.00005"	0.013mm/0.0005"	0.003mm/0.0001"
35-50mm/1.4-2.0"	0.001mm/0.00005"	0.013mm/0.0005"	0.003mm/0.0001"
50-160mm/2.0-6.0"	0.001mm/0.00005"	0.015mm/0.0006"	0.003mm/0.0001"
160-250mm/6.0-10.0"	0.001mm/0.00005"	0.015mm/0.0006"	0.003mm/0.0001"
250-450mm/10.0-17.7"	0.001mm/0.00005"	0.015mm/0.0006"	0.003mm/0.0001"

Three Point Internal Micrometer



- * 适用于盲孔和通孔的精密测量
- * 棘轮测力
- * 测量范围2-6mm
- * 硬质合金测量面
- * 校正环规(可选)

- * Precise measurement suitable for blind holes and through holes
- * Ratchet wheel load
- * Rang: 2-6mm
- * Carbide measuring face
- * Setting rings for origin point setting (optional)

货号Item	规格SPEC	精度Accuracy	环规Ring gauge	L(mm)
MDE723H-2/MDE723HW-2	2.0-2.5mm/0.08-0.10"	0.004mm/0.00015"	Ø2.5mm	12.5
MDE723H-2.5/MDE723HW-2.5	2.5-3.0mm/0.10-0.12"	0.004mm/0.00015"	Ø2.5mm	12.5
MDE723H-3/MDE723HW-3	3.0-4.0mm/0.12-0.16"	0.004mm/0.00015"	Ø4mm	22.5
MDE723H-4/MDE723HW-4	4.0-5.0mm/0.16-0.20"	0.004mm/0.00015"	Ø5mm	22.5
MDE723H-5/MDE723HW-5	5.0-6.0mm/0.20-0.24"	0.004mm/0.00015"	Ø6mm	22.5
MD730H-2/MDE730HW-2	2.0-2.5mm/0.08-0.10"	0.004mm/0.00015"	Ø2.5mm	12.5
MD730H-2.5/MD730HW-2.5	2.5-3.0mm/0.10-0.12"	0.004mm/0.00015"	Ø2.5mm	12.5
MD730H-3/MD730HW-3	3.0-4.0mm/0.12-0.16"	0.004mm/0.00015"	Ø4mm	22.5
MD730H-4/MD730HW-4	4.0-5.0mm/0.16-0.20"	0.004mm/0.00015"	Ø5mm	22.5
MD730H-5/MD730HW-5	5.0-6.0mm/0.20-0.24"	0.004mm/0.00015"	Ø6mm	22.5
MA250H-2	2.0-2.5mm/0.08-0.10"	0.004mm/0.00015"	Ø2.5mm	12.5
MA250H-2.5	2.5-3.0mm/0.10-0.12"	0.004mm/0.00015"	Ø2.5mm	12.5
MA250H-3	3.0-4.0mm/0.12-0.16"	0.004mm/0.00015"	Ø4mm	22.5
MA250H-4	4.0-5.0mm/0.16-0.20"	0.004mm/0.00015"	Ø5mm	22.5
MA250H-5	5.0-6.0mm/0.20-0.24"	0.004mm/0.00015"	Ø6mm	22.5



SPC
数据输出

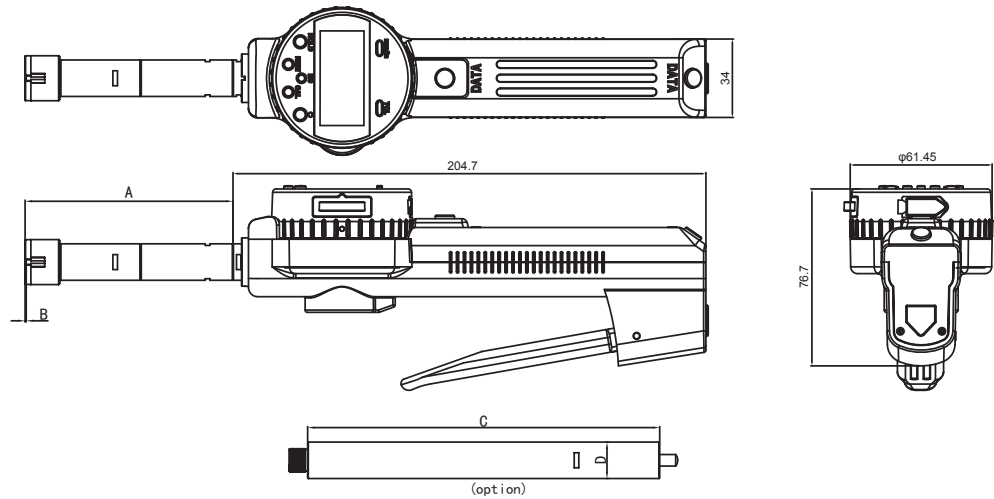
SPC-B+C-04
SPC-W1-RS,RS2
SPC-W2-RS,RS2
SPC-W3-RS

-ABS- →

- * 绝对式容栅测量系统
- * 3V锂电池CR2450, 电池寿命>1年
- * 带SPC数据输出(内置无线传输机型, SPC输出端口仅作为外部电源供电输入端口)
- * 内置无线传输(可选择)
- * 可设置公差, 并进行GO/NG判断
- * 330°可旋转显示屏, 可多角度读取数值
- * 可测盲孔
- * 硬质合金测量面 (12mm以上)
- * 加长杆(可选)
- * 校正环规(可选)

- * Absolute capacitive measurement system
- * 3V Lithium battery CR2450, battery life > 1 year
- * SPC data output (To built in wireless transmission model, the SPC output port is only used as external power input port)
- * Built in bluetooth transmission (optional)
- * Tolerance preset and GO/NG judgement
- * 330° rotating display easy to read measurement data in multi-angle
- * Measuring contact points are designed to allow measurements near the bottom of blind holes
- * Measuring surface are carbide (12mm above)
- * Additional extensions can be added to increase the measuring depth (optional)
- * Setting rings for origin point setting (optional)

MDA760H
MDA760HW



货号 Item	规格 SPEC	精度 Accuracy	环规 Ring gauge	延长杆C Extension rod C	A(mm)	B(mm)	D(mm)
MDA760H-6/MDA760HW-6	6-8mm/0.236-0.315"	0.004mm/0.00015"	Ø8mm	101.6mm/4"	55	1	Ø5.8
MDA760H-8/MDA760HW-8	8-10mm/0.315-0.425"	0.004mm/0.00015"	Ø8mm	101.6mm/4"	55	1.5	Ø5.8
MDA760H-10/MDA760HW-10	10-12mm/0.425-0.5"	0.004mm/0.00015"	Ø12mm	101.6mm/4"	55	1.5	Ø5.8
MDA760H-12/MDA760HW-12	12-16mm/0.5-0.65"	0.004mm/0.00015"	Ø16mm	152.4mm/6"	80	0.5	Ø11.8
MDA760H-16/MDA760HW-16	16-20mm/0.65-0.8"	0.004mm/0.00015"	Ø16mm	152.4mm/6"	80	0.5	Ø11.8
MDA760H-20/MDA760HW-20	20-25mm/0.8-1.0"	0.004mm/0.00015"	Ø25mm	152.4mm/6"	90	0.5	Ø15.8
MDA760H-25/MDA760HW-25	25-30mm/1-1.2"	0.004mm/0.00015"	Ø25mm	152.4mm/6"	90	0.5	Ø15.8
MDA760H-30/MDA760HW-30	30-40mm/1.2-1.6"	0.004mm/0.00015"	Ø40mm	152.4mm/6"	105	0.5	Ø23.5
MDA760H-40/MDA760HW-40	40-50mm/1.6-2.0"	0.004mm/0.00015"	Ø40mm	152.4mm/6"	105	0.5	Ø23.5
MDA760H-50/MDA760HW-50	50-63mm/2-2.5"	0.005mm/0.0002"	Ø62mm	152.4mm/6"	127	0.5	Ø23.5
MDA760H-62/MDA760HW-62	62-75mm/2.5-3.0"	0.005mm/0.0002"	Ø62mm	152.4mm/6"	127	0.5	Ø23.5
MDA760H-75/MDA760HW-75	75-88mm/3-3.5"	0.005mm/0.0002"	Ø87mm	152.4mm/6"	127	0.5	Ø23.5
MDA760H-87/MDA760HW-87	87-100mm/3.5-4.0"	0.005mm/0.0002"	Ø87mm	152.4mm/6"	127	0.5	Ø23.5

Three Point Internal Micrometer

SPC
数据输出

-ABS-→

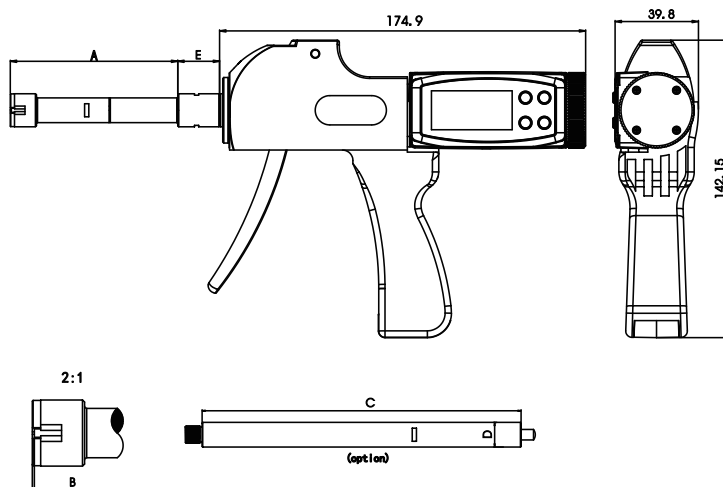
SPC-B+C-01
SPC-W1-RS1,RS3
SPC-W2-RS1,RS3



MDA750H
MDA750HW

- * 绝对式容栅测量系统
- * 3V锂电池CR2032, 电池寿命>1年
- * SPC数据输出
- * 内置无线数据输出(可选, 无SPC输出)
- * 恒定测力
- * 可测盲孔
- * 硬质合金测量面(12mm以上)
- * 加长杆(可选)
- * 校正环规(可选)
- * 显示屏可旋转90°

- * Absolute capacitive measurement system
- * 3V Lithium battery CR2032, battery life> 1 year
- * SPC data output
- * Built in bluetooth data transmission (optional, no SPC port output)
- * Ratchet stop
- * Measuring contact points are designed to allow measurements near the bottom of blind holes
- * Measuring surface are carbide (12mm above)
- * Additional extensions can be added to increase the measuring depth (optional)
- * Setting rings for origin point setting (optional)
- * Display can rotate 90°



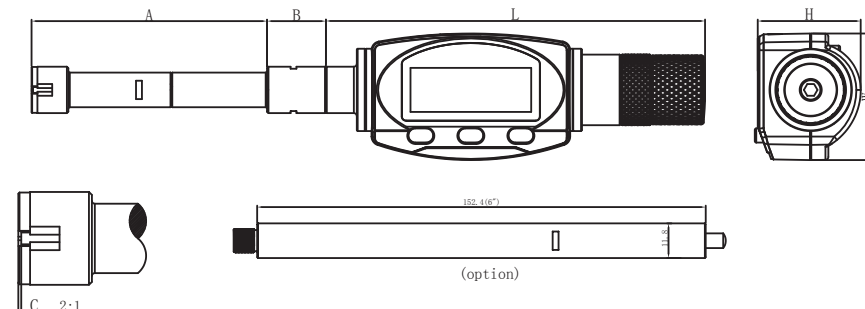
货号 Item	规格 SPEC	精度 Accuracy	环规 Ring gauge	延长杆C Extension rod C	A(mm)	B(mm)	D(mm)
MDA750H-6/MDA750HW-6	6-8mm/0.236-0.315"	0.004mm/0.00015"	Ø8mm	101.6mm/4"	55	1	Ø5.8
MDA750H-8/MDA750HW-8	8-10mm/0.315-0.425"	0.004mm/0.00015"	Ø8mm	101.6mm/4"	55	1.5	Ø5.8
MDA750H-10/MDA750HW-10	10-12mm/0.425-0.5"	0.004mm/0.00015"	Ø12mm	101.6mm/4"	55	1.5	Ø5.8
MDA750H-12/MDA750HW-12	12-16mm/0.5-0.65"	0.004mm/0.00015"	Ø16mm	152.4mm/6"	80	0.5	Ø11.8
MDA750H-16/MDA750HW-16	16-20mm/0.65-0.8"	0.004mm/0.00015"	Ø16mm	152.4mm/6"	80	0.5	Ø11.8
MDA750H-20/MDA750HW-20	20-25mm/0.8-1.0"	0.004mm/0.00015"	Ø25mm	152.4mm/6"	90	0.5	Ø15.8
MDA750H-25/MDA750HW-25	25-30mm/1-1.2"	0.004mm/0.00015"	Ø25mm	152.4mm/6"	90	0.5	Ø15.8
MDA750H-30/MDA750HW-30	30-40mm/1.2-1.6"	0.004mm/0.00015"	Ø40mm	152.4mm/6"	105	0.5	Ø23.5
MDA750H-40/MDA750HW-40	40-50mm/1.6-2.0"	0.004mm/0.00015"	Ø40mm	152.4mm/6"	105	0.5	Ø23.5
MDA750H-50/MDA750HW-50	50-63mm/2-2.5"	0.005mm/0.0002"	Ø62mm	152.4mm/6"	127	0.5	Ø23.5
MDA750H-62/MDA750HW-62	62-75mm/2.5-3.0"	0.005mm/0.0002"	Ø62mm	152.4mm/6"	127	0.5	Ø23.5
MDA750H-75/MDA750HW-75	75-88mm/3-3.5"	0.005mm/0.0002"	Ø87mm	152.4mm/6"	127	0.5	Ø23.5
MDA750H-87/MDA750HW-87	87-100mm/3.5-4.0"	0.005mm/0.0002"	Ø87mm	152.4mm/6"	127	0.5	Ø23.5
MDA750H-100/MDA750HW-100	100-125mm/4-5.0"	0.005mm/0.0002"	Ø125mm	152.4mm/6"	156	1	Ø25.5
MDA750H-125/MDA750HW-125	125-150mm/5-6.0"	0.005mm/0.0002"	Ø125mm	152.4mm/6"	156	1	Ø25.5
MDA750H-150/MDA750HW-150	150-175mm/6-7.0"	0.006mm/0.00025"	Ø175mm	152.4mm/6"	156	1	Ø25.5
MDA750H-175/MDA750HW-175	175-200mm/7-8.0"	0.006mm/0.00025"	Ø175mm	152.4mm/6"	156	1	Ø25.5
MDA750H-200/MDA750HW-200	200-225mm/8-9.0"	0.007mm/0.0003"	Ø225mm	152.4mm/6"	156	1	Ø25.5
MDA750H-225/MDA750HW-225	225-250mm/9-10.0"	0.007mm/0.0003"	Ø225mm	152.4mm/6"	156	1	Ø25.5
MDA750H-250/MDA750HW-250	250-275mm/10-11.0"	0.008mm/0.0003"	Ø275mm	152.4mm/6"	156	1	Ø25.5
MDA750H-275/MDA750HW-275	275-300mm/11-12.0"	0.008mm/0.0003"	Ø275mm	152.4mm/6"	156	1	Ø25.5
MDA750H-300/MDA750HW-300	300-325mm/12-13.0"	0.009mm/0.00035"	Ø325mm	152.4mm/6"	156	1	Ø25.5
MDA750H-325/MDA750HW-325	325-350mm/13-14.0"	0.009mm/0.00035"	Ø325mm	152.4mm/6"	156	1	Ø25.5



- * 电感测量系统
- * 3V锂电池CR2032, 电池寿命>1年
- * 内置无线数据输出(可选)
- * 恒定测力
- * 可测盲孔
- * 硬质合金测量面(12mm以上)
- * 加长杆(可选)
- * 校正环规(可选)

- * Inductive measurement system
- * 3V Lithium battery CR2032, battery life > 1 year
- * Built in bluetooth data transmission (optional)
- * Ratchet stop
- * Measuring contact points are designed to allow measurements near the bottom of blind holes
- * Measuring surface are carbide (12mm above)
- * Additional extensions can be added to increase the measuring depth (optional)
- * Setting rings for origin point setting (optional)

MDE723H
MDE723HW



货号 Item	规格 SPEC	精度 Accuracy	环规 Ring gauge	延长杆C Extension rod C	A(mm)	B(mm)	D(mm)
MDE723H-6/MDE723HW-6	6-8mm/0.236-0.315"	0.004mm/0.00015"	Ø8mm	101.6mm/4"	55	1	Ø5.8
MDE723H-8/MDE723HW-8	8-10mm/0.35-0.425"	0.004mm/0.00015"	Ø8mm	101.6mm/4"	55	1.5	Ø5.8
MDE723H-10/MDE723HW-10	10-12mm/0.425-0.5"	0.004mm/0.00015"	Ø12mm	101.6mm/4"	55	1.5	Ø5.8
MDE723H-12/MDE723HW-12	12-16mm/0.5-0.65"	0.004mm/0.00015"	Ø16mm	152.4mm/6"	80	0.5	Ø11.8
MDE723H-16/MDE723HW-16	16-20mm/0.65-0.8"	0.004mm/0.00015"	Ø16mm	152.4mm/6"	80	0.5	Ø11.8
MDE723H-20/MDE723HW-20	20-25mm/0.8-1.0"	0.004mm/0.00015"	Ø25mm	152.4mm/6"	90	0.5	Ø15.8
MDE723H-25/MDE723HW-25	25-30mm/1-1.2"	0.004mm/0.00015"	Ø25mm	152.4mm/6"	90	0.5	Ø15.8
MDE723H-30/MDE723HW-30	30-40mm/1.2-1.6"	0.004mm/0.00015"	Ø40mm	152.4mm/6"	105	0.5	Ø23.5
MDE723H-40/MDE723HW-40	40-50mm/1.6-2.0"	0.004mm/0.00015"	Ø40mm	152.4mm/6"	105	0.5	Ø23.5
MDE723H-50/MDE723HW-50	50-63mm/2-2.5"	0.005mm/0.0002"	Ø62mm	152.4mm/6"	127	0.5	Ø23.5
MDE723H-62/MDE723HW-62	62-75mm/2.5-3.0"	0.005mm/0.0002"	Ø62mm	152.4mm/6"	127	0.5	Ø23.5
MDE723H-75/MDE723HW-75	75-88mm/3-3.5"	0.005mm/0.0002"	Ø87mm	152.4mm/6"	127	0.5	Ø23.5
MDE723H-87/MDE723HW-87	87-100mm/3.5-4.0"	0.005mm/0.0002"	Ø87mm	152.4mm/6"	127	0.5	Ø23.5
MDE723H-100/MDE723HW-100	100-125mm/4-5.0"	0.005mm/0.0002"	Ø125mm	152.4mm/6"	156	1	Ø25.5
MDE723H-125/MDE723HW-125	125-150mm/5-6.0"	0.005mm/0.0002"	Ø125mm	152.4mm/6"	156	1	Ø25.5
MDE723H-150/MDE723HW-150	150-175mm/6-7.0"	0.006mm/0.00025"	Ø175mm	152.4mm/6"	156	1	Ø25.5
MDE723H-175/MDE723HW-175	175-200mm/7-8.0"	0.006mm/0.00025"	Ø175mm	152.4mm/6"	156	1	Ø25.5
MDE723H-200/MDE723HW-200	200-225mm/8-9.0"	0.007mm/0.0003"	Ø225mm	152.4mm/6"	156	1	Ø25.5
MDE723H-225/MDE723HW-225	225-250mm/9-10.0"	0.007mm/0.0003"	Ø225mm	152.4mm/6"	156	1	Ø25.5
MDE723H-250/MDE723HW-250	250-275mm/10-11.0"	0.008mm/0.0003"	Ø275mm	152.4mm/6"	156	1	Ø25.5
MDE723H-275/MDE723HW-275	275-300mm/11-12.0"	0.008mm/0.0003"	Ø275mm	152.4mm/6"	156	1	Ø25.5
MDE723H-300/MDE723HW-300	300-325mm/12-13.0"	0.009mm/0.00035"	Ø325mm	152.4mm/6"	156	1	Ø25.5
MDE723H-325/MDE723HW-325	325-350mm/13-14.0"	0.009mm/0.00035"	Ø325mm	152.4mm/6"	156	1	Ø25.5



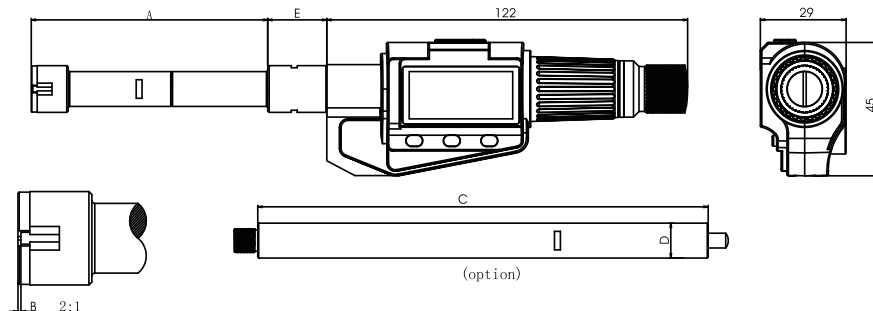
MD730H
MD730HW

SPC
数据输出

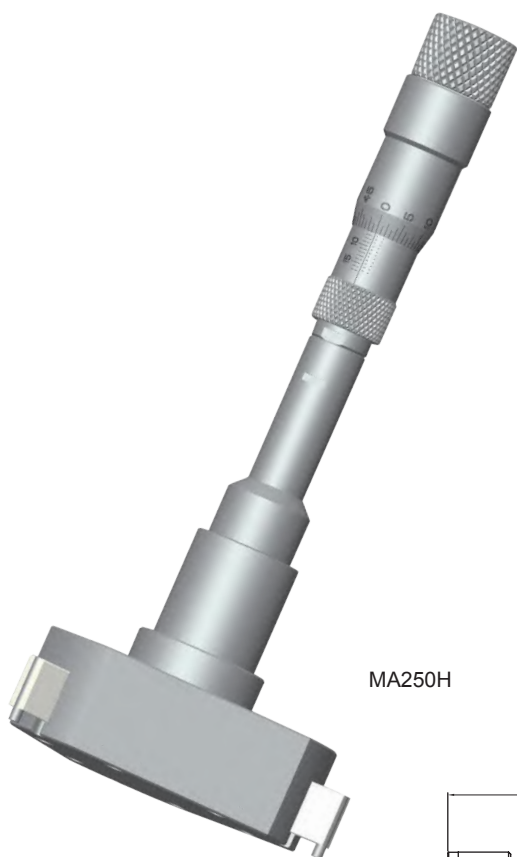
SPC-B+C-04
SPC-W1-RS,RS2
SPC-W2-RS,RS2
SPC-W3-RS

- * 相对式容栅测量系统
- * 3V锂电池CR2032, 电池寿命>1年
- * SPC数据输出(内置无线传输机型, SPC输出端口不可用)
- * 内置无线数据输出(可选)
- * 恒定测力
- * 可测盲孔
- * 硬质合金测量面(12mm以上)
- * 加长杆(可选)
- * 校正环规(可选)

- * Incremental capacitive measurement system
- * 3V Lithium battery CR2032, battery life> 1 year
- * SPC data output(To built in wireless transmission model, the SPC output port is unavailable)
- * Built in bluetooth data transmission (optional)
- * Ratchet stop
- * Measuring contact points are designed to allow measurements near the bottom of blind holes
- * Measuring surface are carbide (12mm above)
- * Additional extensions can be added to increase the measuring depth (optional)
- * Setting rings for origin point setting (optional)

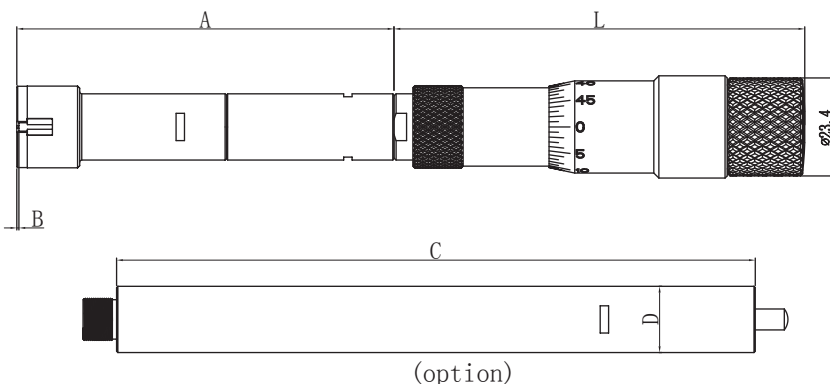


货号 Item	规格 SPEC	精度 Accuracy	环规 Ring gauge	延长杆C Extension rod C	A(mm)	B(mm)	D(mm)
MD730H-6/MD730HW-6	6-8mm/0.236-0.315"	0.004mm/0.00015"	Ø8mm	101.6mm/4"	55	1	Ø5.8
MD730H-8/MD730HW-8	8-10mm/0.315-0.425"	0.004mm/0.00015"	Ø8mm	101.6mm/4"	55	1.5	Ø5.8
MD730H-10/MD730HW-10	10-12mm/0.425-0.5"	0.004mm/0.00015"	Ø12mm	101.6mm/4"	55	1.5	Ø5.8
MD730H-12/MD730HW-12	12-16mm/0.5-0.65"	0.004mm/0.00015"	Ø16mm	152.4mm/6"	80	0.5	Ø11.8
MD730H-16/MD730HW-16	16-20mm/0.65-0.8"	0.004mm/0.00015"	Ø16mm	152.4mm/6"	80	0.5	Ø11.8
MD730H-20/MD730HW-20	20-25mm/0.8-1.0"	0.004mm/0.00015"	Ø25mm	152.4mm/6"	90	0.5	Ø15.8
MD730H-25/MD730HW-25	25-30mm/1-1.2"	0.004mm/0.00015"	Ø25mm	152.4mm/6"	90	0.5	Ø15.8
MD730H-30/MD730HW-30	30-40mm/1.2-1.6"	0.004mm/0.00015"	Ø40mm	152.4mm/6"	105	0.5	Ø23.5
MD730H-40/MD730HW-40	40-50mm/1.6-2.0"	0.004mm/0.00015"	Ø40mm	152.4mm/6"	105	0.5	Ø23.5
MD730H-50/MD730HW-50	50-63mm/2-2.5"	0.005mm/0.0002"	Ø62mm	152.4mm/6"	127	0.5	Ø23.5
MD730H-62/MD730HW-62	62-75mm/2.5-3.0"	0.005mm/0.0002"	Ø62mm	152.4mm/6"	127	0.5	Ø23.5
MD730H-75/MD730HW-75	75-88mm/3-3.5"	0.005mm/0.0002"	Ø87mm	152.4mm/6"	127	0.5	Ø23.5
MD730H-87/MD730HW-87	87-100mm/3.5-4.0"	0.005mm/0.0002"	Ø87mm	152.4mm/6"	127	0.5	Ø23.5
MD730H-100/MD730HW-100	100-125mm/4-5.0"	0.005mm/0.0002"	Ø125mm	152.4mm/6"	156	1	Ø25.5
MD730H-125/MD730HW-125	125-150mm/5-6.0"	0.005mm/0.0002"	Ø125mm	152.4mm/6"	156	1	Ø25.5
MD730H-150/MD730HW-150	150-175mm/6-7.0"	0.006mm/0.00025"	Ø175mm	152.4mm/6"	156	1	Ø25.5
MD730H-175/MD730HW-175	175-200mm/7-8.0"	0.006mm/0.00025"	Ø175mm	152.4mm/6"	156	1	Ø25.5
MD730H-200/MD730HW-200	200-225mm/8-9.0"	0.007mm/0.0003"	Ø225mm	152.4mm/6"	156	1	Ø25.5
MD730H-225/MD730HW-225	225-250mm/9-10.0"	0.007mm/0.0003"	Ø225mm	152.4mm/6"	156	1	Ø25.5
MD730H-250/MD730HW-250	250-275mm/10-11.0"	0.008mm/0.0003"	Ø275mm	152.4mm/6"	156	1	Ø25.5
MD730H-275/MD730HW-275	275-300mm/11-12.0"	0.008mm/0.0003"	Ø275mm	152.4mm/6"	156	1	Ø25.5
MD730H-300/MD730HW-300	300-325mm/12-13.0"	0.009mm/0.00035"	Ø325mm	152.4mm/6"	156	1	Ø25.5
MD730H-325/MD730HW-325	325-350mm/13-14.0"	0.009mm/0.00035"	Ø325mm	152.4mm/6"	156	1	Ø25.5



MA250H

- * 恒定测力
- * 可测盲孔
- * 硬质合金测量面(12mm以上)
- * 加长杆(可选)
- * 校正环规(可选)
- * 分度值0.001mm
- * Ratchet stop
- * Measuring contact points are designed to allow measurements near the bottom of blind holes
- * Measuring surface are carbide (12mm above)
- * Additional extensions can be added to increase the measuring depth (optional)
- * Setting rings for origin point setting (optional)
- * Resolution:0.001mm



货号 Item	规格 SPEC	精度 Accuracy	环规 Ring gauge	延长杆C Extension rod C	A(mm)	B(mm)	L(mm)	D(mm)
MA250H-6	6-8mm/0.236-0.315"	0.004mm/0.00015"	Ø8mm	101.6mm/4"	55	1	84	Ø5.8
MA250H-8	8-10mm/0.315-0.425"	0.004mm/0.00015"	Ø8mm	101.6mm/4"	55	1.5	84	Ø5.8
MA250H-10	10-12mm/0.425-0.5"	0.004mm/0.00015"	Ø12mm	101.6mm/4"	55	1.5	84	Ø5.8
MA250H-12	12-16mm/0.5-0.65"	0.004mm/0.00015"	Ø16mm	152.4mm/6"	80	0.5	84	Ø11.8
MA250H-16	16-20mm/0.65-0.8"	0.004mm/0.00015"	Ø16mm	152.4mm/6"	80	0.5	84	Ø11.8
MA250H-20	20-25mm/0.8-1.0"	0.004mm/0.00015"	Ø25mm	152.4mm/6"	90	0.5	84	Ø15.8
MA250H-25	25-30mm/1-1.2"	0.004mm/0.00015"	Ø25mm	152.4mm/6"	90	0.5	84	Ø15.8
MA250H-30	30-40mm/1.2-1.6"	0.004mm/0.00015"	Ø40mm	152.4mm/6"	105	0.5	98	Ø23.5
MA250H-40	40-50mm/1.6-2.0"	0.004mm/0.00015"	Ø40mm	152.4mm/6"	105	0.5	98	Ø23.5
MA250H-50	50-63mm/2-2.5"	0.005mm/0.0002"	Ø62mm	152.4mm/6"	127	0.5	98	Ø23.5
MA250H-62	62-75mm/2.5-3.0"	0.005mm/0.0002"	Ø62mm	152.4mm/6"	127	0.5	98	Ø23.5
MA250H-75	75-88mm/3-3.5"	0.005mm/0.0002"	Ø87mm	152.4mm/6"	127	0.5	98	Ø23.5
MA250H-87	87-100mm/3.5-4.0"	0.005mm/0.0002"	Ø87mm	152.4mm/6"	127	0.5	98	Ø23.5
MA250H-100	100-125mm/4-5"	0.005mm/0.0002"	Ø125mm	152.4mm/6"	156	1	98	Ø25.5
MA250H-125	125-150mm/5-6"	0.005mm/0.0002"	Ø125mm	152.4mm/6"	156	1	98	Ø25.5
MA250H-150	150-175mm/6-7"	0.006mm/0.00025"	Ø175mm	152.4mm/6"	156	1	98	Ø25.5
MA250H-175	175-200mm/7-8"	0.006mm/0.00025"	Ø175mm	152.4mm/6"	156	1	98	Ø25.5
MA250H-200	200-225mm/8-9"	0.007mm/0.0003"	Ø225mm	152.4mm/6"	156	1	98	Ø25.5
MA250H-225	225-250mm/9-10"	0.007mm/0.0003"	Ø225mm	152.4mm/6"	156	1	98	Ø25.5
MA250H-250	250-275mm/10-11"	0.008mm/0.0003"	Ø275mm	152.4mm/6"	156	1	98	Ø25.5
MA250H-275	275-300mm/11-12"	0.008mm/0.0003"	Ø275mm	152.4mm/6"	156	1	98	Ø25.5
MA250H-300	300-325mm/12-13"	0.009mm/0.00035"	Ø325mm	152.4mm/6"	156	1	98	Ø25.5
MA250H-325	325-350mm/13-14"	0.009mm/0.00035"	Ø325mm	152.4mm/6"	156	1	98	Ø25.5

Water-Proof Digital Height Gauge with inductive measuring system

IP65

μ

SPC
数据输出

SPC-B+C-04
SPC-W1-RS,RS2
SPC-W2-RS,RS2
SPC-W3-RS

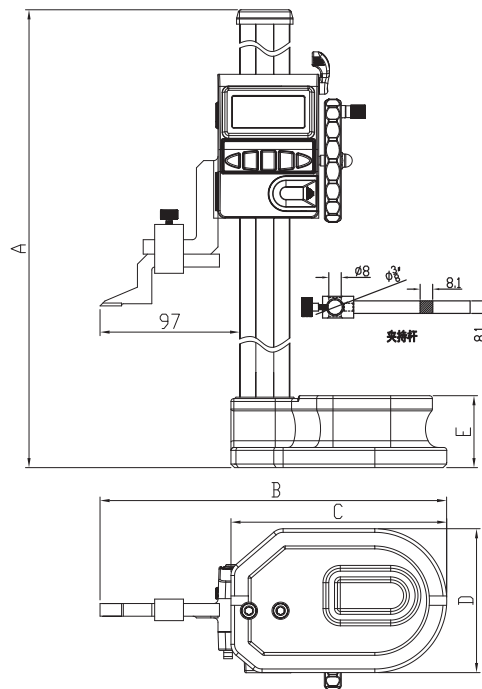


HDE650M
HDE650MW



- * 电感式测量系统
- * IP65防护等级
- * 3V锂电池CR2450, 电池寿命>1年
- * SPC数据输出(内置无线传输机型, SPC输出端口不可用)
- * 内置无线数据输出(可选)
- * 外接数显指示表数据输入功能, 无需反复, 对正指示表“0”位, 实现快速检测
- * 内置外接电源端口

- * Inductive measurement system
- * IP65 Protection grade
- * 3V Lithium battery CR2450, battery life> 1 year
- * SPC data output(To built in wireless transmission model, the SPC output port is unavailable)
- * Built in bluetooth data transmission (optional)
- * External digital data input function, no need to repeat dial “0” to achieve rapid detection
- * Built in external power port



	A(mm)	B(mm)	C(mm)
0-300mm	492	241	150
0-600mm	796	274	183
	D(mm)	E(mm)	
0-300mm	100	50	
0-600mm	120	57	

货号 Item	规格 SPEC	分辨率 Resolution	精度(公差带) Accuracy(Tolerance Range)
HDE650-300/HDE650W-300	0-300mm/0-12"	0.01mm/0.0005"	0.03mm/0.001"
HDE650-450/HDE650W-450	0-450mm/0-18"	0.01mm/0.0005"	0.05mm/0.002"
HDE650-600/HDE650W-600	0-600mm/0-24"	0.01mm/0.0005"	0.05mm/0.002"
HDE650M-300/HDE650MW-300	0-300mm/0-12"	0.001mm/0.00005"	0.02mm/0.0008"
HDE650M-450/HDE650MW-450	0-450mm/0-18"	0.001mm/0.00005"	0.04mm/0.0015"
HDE650M-600/HDE650MW-600	0-600mm/0-24"	0.001mm/0.00005"	0.04mm/0.0015"

SPC
数据输出

SPC-B+C-04
SPC-W1-RS,RS2
SPC-W2-RS,RS2
SPC-W3-RS



HD220
HD220W

- * 相对式容栅测量系统
- * 超大屏显示
- * 示值锁定
- * 3V锂电池CR2450, 电池寿命>3年
- * 带SPC数据输出(对于内置无线传输的机型, 该端口没有输出功能)
- * 内置无线数据输出(可选)
- * 外接数显指示表数据输入功能, 无需反复对正指示表“0”位, 实现快速检测
- * 内置外接电源端口
- * 可设置公差, 进行超差判断, 通过符号和红绿背光提示(红绿背光仅当外接电源时可用)
- * 高精度, 百分/千分切换
- * 硬质合金测量爪

- * Incremental capacitive measurement system
- * Large LCD display
- * Display values can be locked
- * 3V Lithium battery CR2450, battery life > 3 years
- * SPC data output (this output port doesn't work for built-in wireless transmission model)
- * Built-in bluetooth data transmission (optional)
- * External data input function to digital indicator, start testing rapidly, not necessary to adjust "0" frequently
- * Built-in external power port
- * Tolerance detection, with sign and red/green backlight indicating (backlight works only when external power is used)
- * High accuracy, 0.01mm/0.001mm conversion
- * Carbide tipped scriber



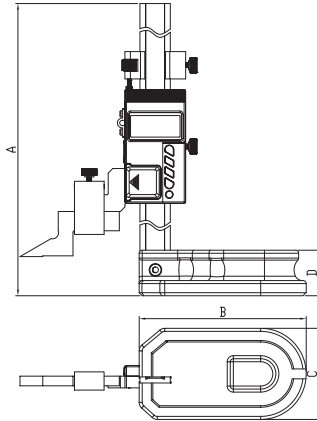
货号 Item	规格 SPEC	分辨率 Resolution	精度(公差带) Accuracy(Tolerance Range)
HD220M-300/HD220MW-300	0-300mm/0-12"	0.01mm/0.001mm/0.00005"	0.02mm/0.0008"
HD220M-600/HD220MW-600	0-600mm/0-24"	0.01mm/0.001mm/0.00005"	0.04mm/0.0015"

Digital Height Gauge



iP65

HDA620



- * 电感式测量系统
- * 3V锂电池CR2032, 电池寿命>1年
- * SPC数据输出
- * 硬质合金测量爪

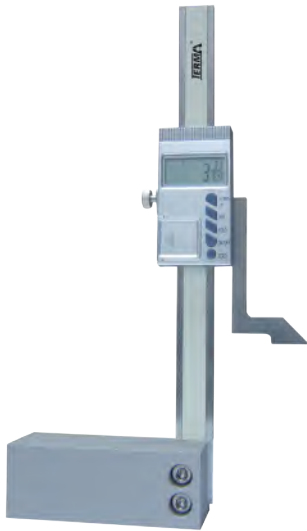
- * Inductive measurement system
- * 3V Lithium battery CR2032, battery life> 1 year
- * SPC data output
- * Carbide tipped scriber

SPC
数据输出

SPC-B+C-01
SPC-W1-RS1,RS3
SPC-W2-RS1,RS3

	A(mm)	B(mm)	C(mm)	D(mm)
0-150mm	297	110	60	30
0-200mm	347	110	60	30
0-300mm	465	137.5	90	45
0-450mm	617	137.5	90	45
0-600mm	770	137.5	90	45

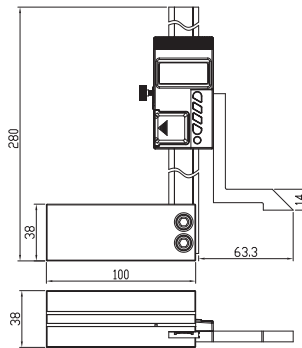
货号 Item	规格 SPEC	分辨率 Resolution	精度(公差带) Accuracy(Tolerance Range)
HDA620-150	0-150mm/0-6"	0.01mm/0.0005"	0.02mm/0.001"
HDA620-200	0-200mm/0-8"	0.01mm/0.0005"	0.03mm/0.0015"
HDA620-300	0-300mm/0-12"	0.01mm/0.0005"	0.04mm/0.002"
HDA620-450	0-450mm/0-18"	0.01mm/0.0005"	0.05mm/0.002"
HDA620-600	0-600mm/0-24"	0.01mm/0.0005"	0.05mm/0.002"



HD620

SPC
数据输出

SPC-A+C-01



- * 相对式容栅测量系统
- * 3V锂电池CR2032, 电池寿命>1年
- * SPC数据输出
- * 底座底面带磁, 方便在工作台上定位

- * Incremental capacitive measurement system
- * 3V Lithium battery CR2032, battery life> 1 year
- * SPC data output
- * Strong magnetic base makes it easy to position on workbench

货号 Item	规格 SPEC	分辨率 Resolution	精度(公差带) Accuracy(Tolerance Range)
HD620-150	0-150mm/0-6"	0.01mm/0.0005"/1/128"	0.03mm/0.0015"

0.1 μ



SPC
数据输出



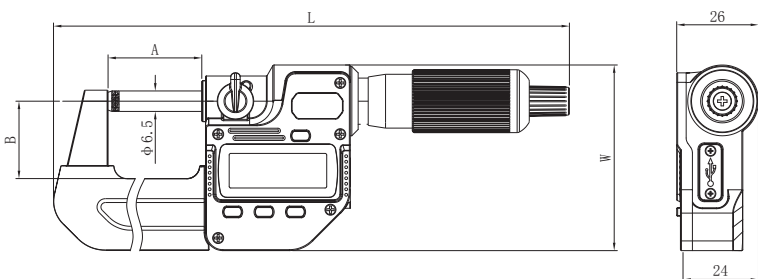
SPC-B+C-01
SPC-W1-RS1,RS3
SPC-W2-RS1,RS3

任意**0.5mm**精度**0.5 μ m**
Accuracy **0.5 μ m** in each **0.5mm**

MDE310 μ /MDE310 μ W

- * 电感式相对测量系统
- * IP65防护等级
- * 内置充电锂电池，磁吸式充电接口
- * SPC数据输出(内置无线传输机型，SPC输出端口不可用)
- * 内置无线数据输出(可选)
- * 棘轮恒测力
- * 硬质合金测量面

- * Inductive measurement system
- * IP65 Protection grade
- * Built-in rechargeable lithium battery, magnetic charging port
- * SPC data output (For built in wireless transmission model, the SPC output port is unavailable)
- * Built in bluetooth data transmission (optional)
- * Ratchet stop
- * Carbide measuring face



	A(mm)	B(mm)	L(mm)	W(mm)
0-25mm	29.8	24.6	164	59
25-50mm	55.3	31	190.7	76.4
50-75mm	80.8	44	221	91.5
75-100mm	105.8	56	251	108

货号 Item	规格 SPEC	分辨率 Resolution	精度(公差带) Accuracy(Tolerance Range)
MDE310 μ -25/MDE310 μ W-25	0-25mm/0-1"	0.0001mm/0.000005"	0.002mm/0.0001"
MDE310 μ -50/MDE310 μ W-50	25-50mm/1-2"	0.0001mm/0.000005"	0.002mm/0.0001"
MDE310 μ -75/MDE310 μ W-75	50-75mm/2-3"	0.0001mm/0.000005"	0.003mm/0.00015"
MDE310 μ -100/MDE310 μ W-100	75-100mm/3-4"	0.0001mm/0.000005"	0.003mm/0.00015"

电感测量防水数显千分尺



Water-Proof Digital Micrometer with inductive measuring system



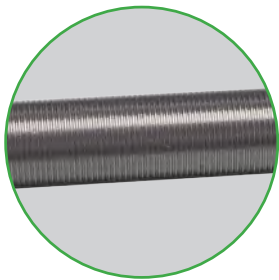
SPC
数据输出



SPC-B+C-01
SPC-W1-RS1,RS3
SPC-W2-RS1,RS3

快速测量
Measuring Quickly

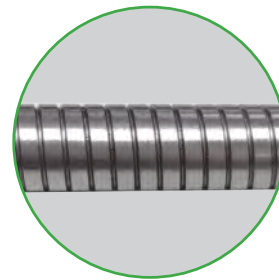
MDE310Q
MDE310QW



0.5mm螺距普通丝杆

0.5mm Screw pitch's normal lead screw

VS



2mm螺距大螺距丝杆

2mm Large screw pitch's lead screw

2mm ↻ 速度 ↗ 4倍

- * 电感测量系统
- * 内置无线数据输出(可选)
- * SPC数据输出
- * 硬质合金测量面

- * Inductive measurement system
- * Built in bluetooth data transmission (optional)
- * SPC data output
- * Carbide measurement surface

货号 Item	规格 SPEC	分辨率 Resolution	精度(公差带) Accuracy(Tolerance Range)
MDE310Q-25/MDE310QW-25	0-25mm/0-1"	0.001mm/0.00005"	0.003mm/0.00015"
MDE310Q-50/MDE310QW-50	25-50mm/1-2"	0.001mm/0.00005"	0.003mm/0.00015"
MDE310Q-75/MDE310QW-75	50-75mm/2-3"	0.001mm/0.00005"	0.004mm/0.00015"
MDE310Q-100/MDE310QW-100	75-100mm/3-4"	0.001mm/0.00005"	0.004mm/0.00015"



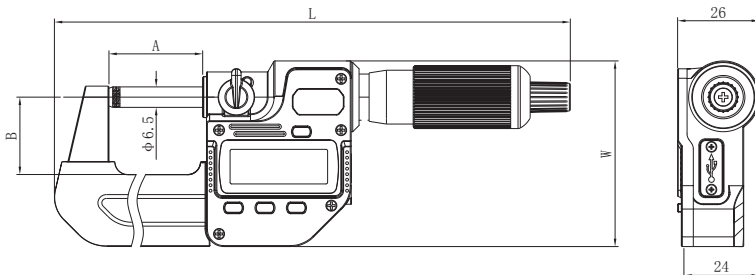
SPC
数据输出

SPC-B+C-01
SPC-W1-RS1,RS3
SPC-W2-RS1,RS3

MDE310/MDE310W

- * 电感式相对测量系统
- * IP65防护等级
- * 内置充电锂电池，磁吸式充电接口
- * SPC数据输出(内置无线传输机型，SPC输出端口不可用)
- * 内置无线数据输出(可选)
- * 棘轮恒测力
- * 硬质合金测量面

- * Inductive measurement system
- * IP65 Protection grade
- * Built-in rechargeable lithium battery, magnetic charging port
- * SPC data output(To built in wireless transmission model, the SPC output port is unavailable)
- * Built in bluetooth data transmission (optional)
- * Ratchet stop
- * Carbide measurement surface



	A(mm)	B(mm)	L(mm)	W(mm)
0-25mm	29.8	24.6	164	59
25-50mm	55.3	31	190.7	76.4
50-75mm	80.8	44	221	91.5
75-100mm	105.8	56	251	108

货号 Item	规格 SPEC	分辨率 Resolution	精度(公差带) Accuracy(Tolerance Range)
MDE310-25/MDE310W-25	0-25mm/0-1"	0.001mm/0.00005"	0.003mm/0.00015"
MDE310-50/MDE310W-50	25-50mm/1-2"	0.001mm/0.00005"	0.003mm/0.00015"
MDE310-75/MDE310W-75	50-75mm/2-3"	0.001mm/0.00005"	0.004mm/0.00015"
MDE310-100/MDE310W-100	75-100mm/3-4"	0.001mm/0.00005"	0.004mm/0.00015"

Water-Proof Digital Micrometer with inductive measuring system

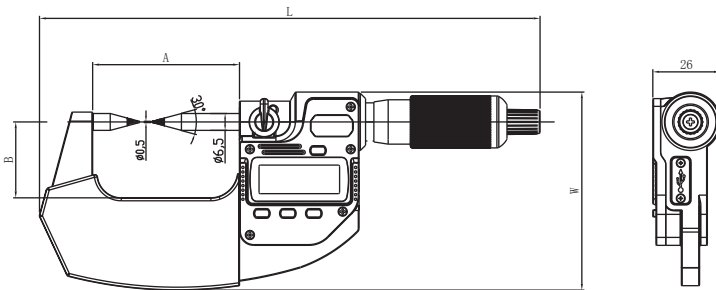


SPC
数据输出

SPC-B+C-01
SPC-W1-RS1,RS3
SPC-W2-RS1,RS3

- * 电感式相对测量系统
- * 内置充电锂电池, 磁吸式充电接口
- * SPC数据输出(内置无线传输机型, SPC输出端口不可用)
- * 内置无线数据传输(可选)
- * 用于测量小凹槽、键槽等

- * Inductive measurement system
- * Built-in rechargeable lithium battery, magnetic charging port
- * SPC data output(To built in wireless transmission model, the SPC output port is unavailable)
- * Built in bluetooth transmission (optional)
- * Used to measure small grooves, keyways, etc.



	A(mm)	B(mm)	L(mm)	W(mm)
0-25mm	55.3	29.2	193	76.4
25-50mm	80.8	44	221	91.5
50-75mm	105.8	56	251	108

货号 Item	规格 SPEC	分辨率 Resolution	精度(公差带) Accuracy(Tolerance Range)
MDE310-B-25/MDE310W-B-25	0-25mm/0-1"	0.001mm/0.00005"	0.003mm/0.0001"
MDE310-B-50/MDE310W-B-50	25-50mm/1-2"	0.001mm/0.00005"	0.004mm/0.00015"
MDE310-B-75/MDE310W-B-75	50-75mm/2-3"	0.001mm/0.00005"	0.004mm/0.00015"

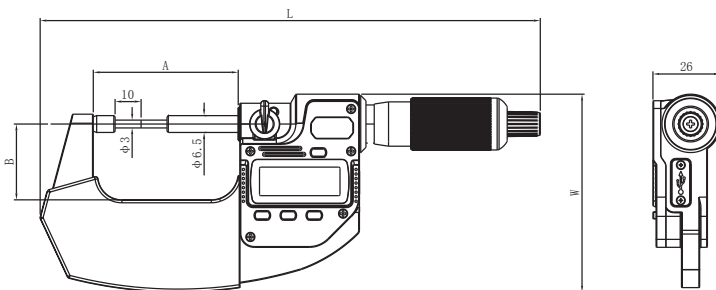


SPC
数据输出

SPC-B+C-01
SPC-W1-RS1,RS3
SPC-W2-RS1,RS3

- * 电感式相对测量系统
- * 内置充电锂电池, 磁吸式充电接口
- * SPC数据输出(内置无线传输机型, SPC输出端口不可用)
- * 内置无线数据传输(可选)
- * 适合测量异型零件不易测量的尺寸

- * Inductive measurement system
- * Built-in rechargeable lithium battery, magnetic charging port
- * SPC data output(To built in wireless transmission model, the SPC output port is unavailable)
- * Built in bluetooth transmission (optional)
- * Adapt to measuring the dimension that is not easy to measure



	A(mm)	B(mm)	L(mm)	W(mm)
0-25mm	55.3	31	193	76.4
25-50mm	80.8	44	221	91.5
50-75mm	105.8	56	251	108

货号 Item	规格 SPEC	分辨率 Resolution	精度(公差带) Accuracy(Tolerance Range)
MDE310-C-25/MDE310W-C-25	0-25mm/0-1"	0.001mm/0.00005"	0.003mm/0.0001"
MDE310-C-50/MDE310W-C-50	25-50mm/1-2"	0.001mm/0.00005"	0.004mm/0.00015"
MDE310-C-75/MDE310W-C-75	50-75mm/2-3"	0.001mm/0.00005"	0.004mm/0.00015"

Water-Proof Digital Micrometer with inductive measuring system

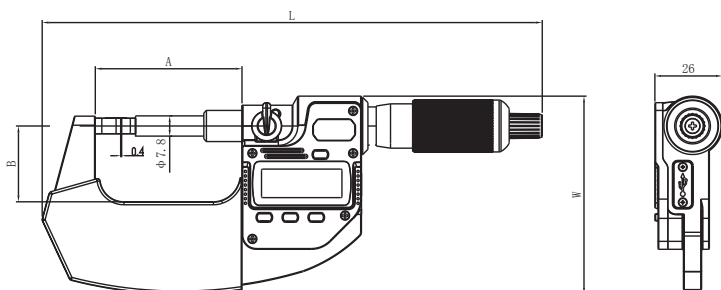


MDE310-F
MDE310W-F
叶片数显千分尺
Blade Digital Micrometers

SPC-B+C-01
SPC-W1-RS1,RS3
SPC-W2-RS1,RS3

- * 电感式相对测量系统
- * 内置充电锂电池, 磁吸式充电接口
- * SPC数据输出(内置无线传输机型, SPC输出端口不可用)
- * 内置无线数据传输(可选)
- * 适合测量异型零件不易测量的尺寸

- * Inductive measurement system
- * Built-in rechargeable lithium battery, magnetic charging port
- * SPC data output(To built in wireless transmission model, the SPC output port is unavailable)
- * Built in bluetooth transmission (optional)
- * Adapt to measuring the dimension that is not easy to measure



	A(mm)	B(mm)	L(mm)	W(mm)
0-25mm	55.3	29.2	193	76.4
25-50mm	80.8	44	221	91.5
50-75mm	105.8	56	251	108

货号 Item	规格 SPEC	分辨率 Resolution	精度(公差带) Accuracy(Tolerance Range)
MDE310-F-25/MDE310W-F-25	0-25mm/0-1"	0.001mm/0.00005"	0.003mm/0.0001"
MDE310-F-50/MDE310W-F-50	25-50mm/1-2"	0.001mm/0.00005"	0.004mm/0.00015"
MDE310-F-75/MDE310W-F-75	50-75mm/2-3"	0.001mm/0.00005"	0.004mm/0.00015"

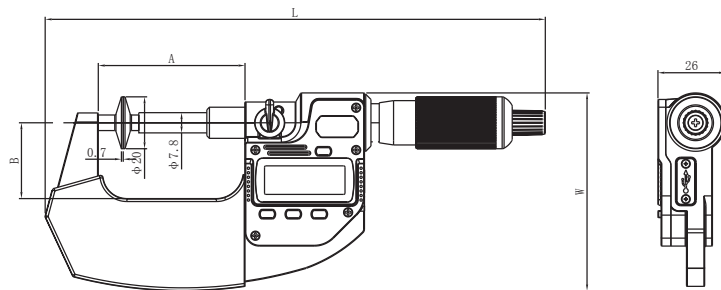


MDE310-G
MDE310W-G
公法线数显千分尺
Disc Digital Micrometers

SPC-B+C-01
SPC-W1-RS1,RS3
SPC-W2-RS1,RS3

- * 电感式相对测量系统
- * 内置充电锂电池, 磁吸式充电接口
- * SPC数据输出(内置无线传输机型, SPC输出端口不可用)
- * 内置无线数据传输(可选)
- * 盘型测头可以插入缝隙测量, 可测量齿根切线方向长度

- * Inductive measurement system
- * Built-in rechargeable lithium battery, magnetic charging port
- * SPC data output(To built in wireless transmission model, the SPC output port is unavailable)
- * Built in bluetooth transmission (optional)
- * Disc measuring face can measure small slot, it can also measure the length of gear tooth tangent.



	A(mm)	B(mm)	L(mm)	W(mm)
0-25mm	55.3	29.2	193	76.4
25-50mm	80.8	44	221	91.5
50-75mm	105.8	56	251	108

货号 Item	规格 SPEC	分辨率 Resolution	精度(公差带) Accuracy(Tolerance Range)
MDE310-G-25/MDE310W-G-25	0-25mm/0-1"	0.001mm/0.00005"	0.003mm/0.0001"
MDE310-G-50/MDE310W-G-50	25-50mm/1-2"	0.001mm/0.00005"	0.004mm/0.00015"
MDE310-G-75/MDE310W-G-75	50-75mm/2-3"	0.001mm/0.00005"	0.004mm/0.00015"

F

Digital Micrometer

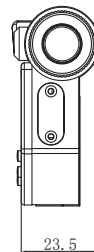
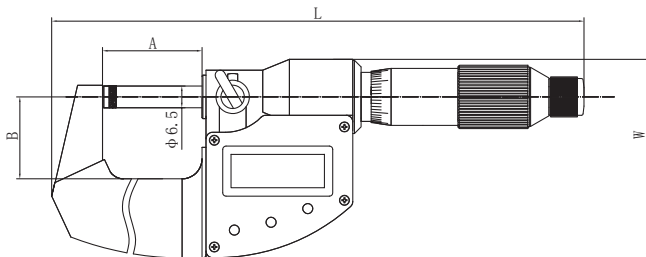


SPC-B+C-01
SPC-W1-RS1,RS3
SPC-W2-RS1,RS3

MD310

- * 相对式容栅测量系统
- * IP65防护等级
- * 3V锂电池CR2032, 电池寿命>1年
- * SPC数据输出
- * 硬质合金测量面

- * Incremental capacitive measurement system
- * IP65 Protection grade
- * 3V lithium battery CR2032, battery life> 1 year
- * SPC data output
- * Carbide measurement surface



	A(mm)	B(mm)	L(mm)	W(mm)
0-25mm	29.8	24.5	159.5	59.6
25-50mm	55.3	31	188.5	75.7
50-75mm	80.8	44	219	90.7
75-100mm	105.8	56	246.5	107.2
100-125mm	130.8	68	278	125.3
125-150mm	155.8	81	307.5	141.3

货号 Item	规格 SPEC	分辨率 Resolution	精度(公差带) Accuracy(Tolerance Range)
MD310-25	0-25mm/0-1"	0.001mm/0.00005"	0.003mm/0.00015"
MD310-50	25-50mm/1-2"	0.001mm/0.00005"	0.003mm/0.00015"
MD310-75	50-75mm/2-3"	0.001mm/0.00005"	0.004mm/0.00015"
MD310-100	75-100mm/3-4"	0.001mm/0.00005"	0.004mm/0.00015"
MD310-125	100-125mm/4-5"	0.001mm/0.00005"	0.005mm/0.0002"
MD310-150	125-150mm/5-6"	0.001mm/0.00005"	0.005mm/0.0002"



SPC
数据输出

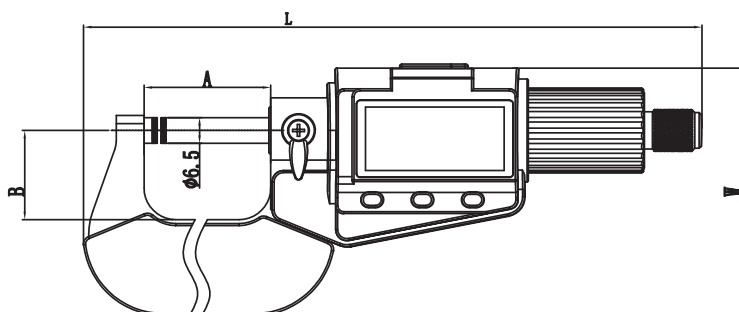
SPC-B+C-04
SPC-W1-RS,RS2
SPC-W2-RS,RS2
SPC-W3-RS

MD730
MD730W

- * 相对式容栅测量系统
- * 3V锂电池CR2032, 电池寿命>1年
- * SPC数据输出(内置无线传输机型, SPC输出端口不可用)
- * 内置无线数据传输(可选)
- * 硬质合金测量面

	A(mm)	B(mm)	L(mm)	W(mm)
0-25mm	32	22.5	156	62.5
25-50mm	56.5	31	185.4	79.6
50-75mm	81.5	44	211.9	95.1
75-100mm	107.1	56	239.9	113.1
100-125mm	132	68	269.2	128.3
125-150mm	156.5	81	295.5	145.5
150-175mm	183	101.5	330.7	160.8
175-200mm	209	114.5	357.7	179.8
200-225mm	234	127	383.7	198.3
225-250mm	259	139.5	409.7	216.8
250-275mm	285	152.5	436.7	235.8
275-300mm	310	165	462.7	254.3

- * Incremental capacitive measurement system
- * 3V Lithium battery CR2032, battery life> 1 year
- * SPC data output(To built in wireless transmission model, the SPC output port is unavailable)
- * Built in bluetooth transmission (optional)
- * Carbide measurement surface



货号 Item	规格 SPEC	分辨率 Resolution	精度(公差带) Accuracy(Tolerance Range)
MD730-25/MD730W-25	0-25mm/0-1"	0.001mm/0.00005"	0.003mm/0.00015"
MD730-50/MD730W-50	25-50mm/1-2"	0.001mm/0.00005"	0.003mm/0.00015"
MD730-75/MD730W-75	50-75mm/2-3"	0.001mm/0.00005"	0.004mm/0.00015"
MD730-100/MD730W-100	75-100mm/3-4"	0.001mm/0.00005"	0.004mm/0.00015"
MD730-125/MD730W-125	100-125mm/4-5"	0.001mm/0.00005"	0.005mm/0.0002"
MD730-150/MD730W-150	125-150mm/5-6"	0.001mm/0.00005"	0.005mm/0.0002"
MD730-175/MD730W-175	150-175mm/6-7"	0.001mm/0.00005"	0.006mm/0.00024"
MD730-200/MD730W-200	175-200mm/7-8"	0.001mm/0.00005"	0.006mm/0.00024"
MD730-225/MD730W-225	200-225mm/8-9"	0.001mm/0.00005"	0.007mm/0.00028"
MD730-250/MD730W-250	225-250mm/9-10"	0.001mm/0.00005"	0.007mm/0.00028"
MD730-275/MD730W-275	250-275mm/10-11"	0.001mm/0.00005"	0.008mm/0.00032"
MD730-300/MD730W-300	275-300mm/11-12"	0.001mm/0.00005"	0.008mm/0.00032"

F

Digital Micrometer

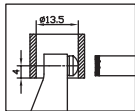


MD730-A
MD730W-A

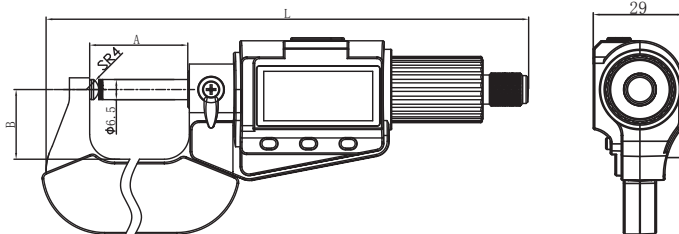
SPC
数据输出

SPC-B+C-04
SPC-W1-RS,RS2
SPC-W2-RS,RS2
SPC-W3-RS

- * 相对式容栅测量系统
- * 3V锂电池CR2032, 电池寿命>1年
- * SPC数据输出(内置无线传输机型, SPC输出端口不可用)
- * 内置无线数据传输(可选)
- * 测量管厚等尺寸
- * Incremental capacitive measurement system
- * 3V Lithium battery CR2032, battery life> 1 year
- * SPC data output(To built in wireless transmission model, the SPC output port is unavailable)
- * Built in bluetooth transmission (optional)
- * Measuring tube thickness



管厚数显千分尺
Tube Thickness measuring Digital Micrometer



	A(mm)	B(mm)	L(mm)	W(mm)
0-25mm	31.5	22.5	156	62.5
25-50mm	56.5	31	185.4	79.6
50-75mm	81.5	44	211.9	95.1
75-100mm	107.2	56	239.9	113.1

货号 Item	规格 SPEC	分辨率 Resolution	精度(公差带) Accuracy(Tolerance Range)
MD730-A-25/MD730W-A-25	0-25mm/0-1"	0.001mm/0.00005"	0.003mm/0.0001"
MD730-A-50/MD730W-A-50	25-50mm/1-2"	0.001mm/0.00005"	0.003mm/0.0001"
MD730-A-75/MD730W-A-75	50-75mm/2-3"	0.001mm/0.00005"	0.004mm/0.00015"
MD730-A-100/MD730W-A-100	75-100mm/3-4"	0.001mm/0.00005"	0.004mm/0.00015"

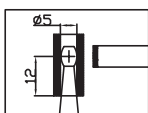


MD730-AII
MD730W-AII

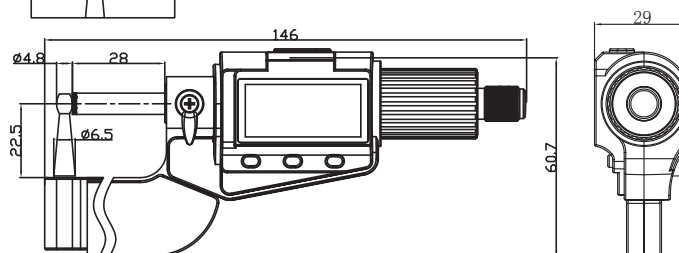
SPC
数据输出

SPC-B+C-04
SPC-W1-RS,RS2
SPC-W2-RS,RS2
SPC-W3-RS

- * 相对式容栅测量系统
- * 3V锂电池CR2032, 电池寿命>1年
- * SPC数据输出(内置无线传输机型, SPC输出端口不可用)
- * 内置无线数据传输(可选)
- * 测量管厚等尺寸
- * Incremental capacitive measurement system
- * 3V Lithium battery CR2032, battery life> 1 year
- * SPC data output(To built in wireless transmission model, the SPC output port is unavailable)
- * Built in bluetooth transmission (optional)
- * Measuring tube thickness



管厚II型数显千分尺
Tube Thickness measuring II Digital Micrometer

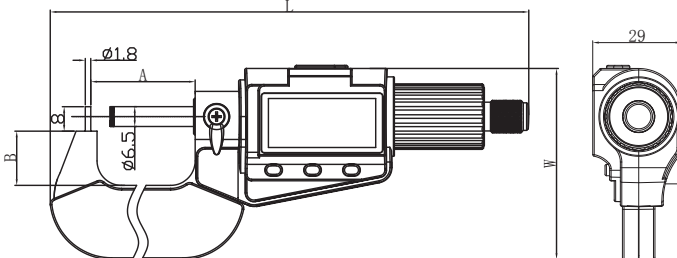


货号 Item	规格 SPEC	分辨率 Resolution	精度(公差带) Accuracy(Tolerance Range)
MD730-AII-25/MD730W-AII-25	0-25mm/0-1"	0.001mm/0.00005"	0.003mm/0.00015"



MD730-AIII
MD730W-AIII

管厚III型数显千分尺
Tube Thickness measuring III Digital Micrometer



SPC
数据输出

SPC-B+C-04
SPC-W1-RS,RS2
SPC-W2-RS,RS2
SPC-W3-RS

- * 相对式容栅测量系统
- * 3V锂电池CR2032, 电池寿命>1年
- * SPC数据输出(内置无线传输机型, SPC输出端口不可用)
- * 内置无线数据传输(可选)
- * 测量管厚等尺寸

- * Incremental capacitive measurement system
- * 3V Lithium battery CR2032, battery life> 1 year
- * SPC data output(To built in wireless transmission model, the SPC output port is unavailable)
- * Built in bluetooth transmission (optional)
- * Measuring tube thickness

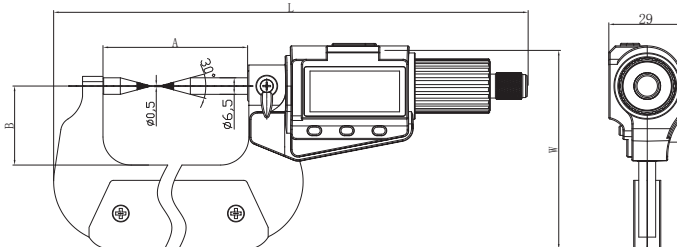
	A(mm)	B(mm)	L(mm)	W(mm)
0-25mm	34.1	22.5	156	62.5
25-50mm	58.8	31	185.4	79.6
50-75mm	83.6	44	211.9	95.1
75-100mm	109.2	56	239.9	113.1

货号 Item	规格 SPEC	分辨率 Resolution	精度(公差带) Accuracy(Tolerance Range)
MD730-AIII-25/MD730W-AIII-25	0-25mm/0-1"	0.001mm/0.00005"	0.003mm/0.0001"
MD730-AIII-50/MD730W-AIII-50	25-50mm/1-2"	0.001mm/0.00005"	0.003mm/0.0001"
MD730-AIII-75/MD730W-AIII-75	50-75mm/2-3"	0.001mm/0.00005"	0.004mm/0.00015"
MD730-AIII-100/MD730W-AIII-100	75-100mm/3-4"	0.001mm/0.00005"	0.004mm/0.00015"



MD730-B
MD730W-B

双尖头数显千分尺
Double Point Digital Micrometer



SPC
数据输出

SPC-B+C-04
SPC-W1-RS,RS2
SPC-W2-RS,RS2
SPC-W3-RS

- * 相对式容栅测量系统
- * 3V锂电池CR2032, 电池寿命>1年
- * SPC数据输出(内置无线传输机型, SPC输出端口不可用)
- * 内置无线数据传输(可选)
- * 用于测量小凹槽、键槽等

- * Incremental capacitive measurement system
- * 3V Lithium battery CR2032, battery life> 1 year
- * SPC data output(To built in wireless transmission model, the SPC output port is unavailable)
- * Built in bluetooth transmission (optional)
- * Used to measure small grooves, keyways, etc.

	A(mm)	B(mm)	L(mm)	W(mm)
0-25mm	56.5	31	185.4	77.9
25-50mm	81.5	44	211.9	93.4
50-75mm	107.1	56	239.9	111.4
75-100mm	132	66	269.7	127.8

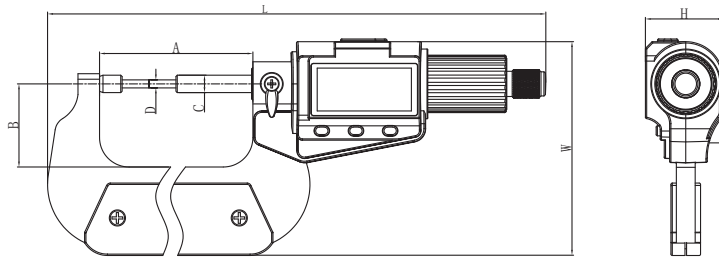
货号 Item	规格 SPEC	分辨率 Resolution	精度(公差带) Accuracy(Tolerance Range)
MD730-B-25/MD730W-B-25	0-25mm/0-1"	0.001mm/0.00005"	0.003mm/0.0001"
MD730-B-50/MD730W-B-50	25-50mm/1-2"	0.001mm/0.00005"	0.004mm/0.00015"
MD730-B-75/MD730W-B-75	50-75mm/2-3"	0.001mm/0.00005"	0.004mm/0.00015"
MD730-B-100/MD730W-B-100	75-100mm/3-4"	0.001mm/0.00005"	0.005mm/0.0002"

Digital Micrometer



MD730-C
MD730W-C

花键数显千分尺
Spline Digital Micrometer



SPC
数据输出

SPC-B+C-04
SPC-W1-RS,RS2
SPC-W2-RS,RS2
SPC-W3-RS

- * 相对式容栅测量系统
- * 3V锂电池CR2032, 电池寿命>1年
- * SPC数据输出(内置无线传输机型, SPC输出端口不可用)
- * 内置无线数据传输(可选)
- * 适合测量异型零件不易测量的尺寸

- * Incremental capacitive measurement system
- * 3V Lithium battery CR2032, battery life> 1 year
- * SPC data output(To built in wireless transmission model, the SPC output port is unavailable)
- * Built in bluetooth transmission (optional)
- * Adapt to measuring the dimension that is not easy to measure

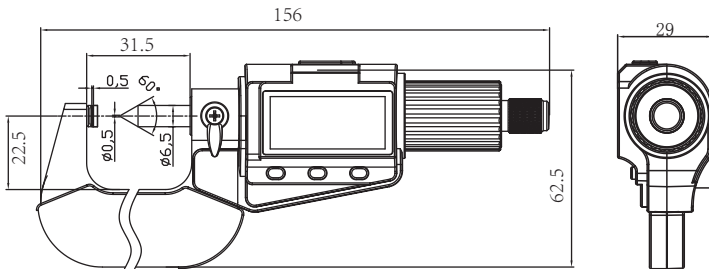
	A(mm)	B(mm)	L(mm)	W(mm)
0-25mm	56.5	31	185.4	79.6
25-50mm	81.5	44	211.9	95.1
50-75mm	107.1	56	239.9	113.1

货号 Item	规格 SPEC	分辨率 Resolution	精度(公差带) Accuracy(Tolerance Range)
MD730-C-25/MD730W-C-25	0-25mm/0-1"	0.001mm/0.00005"	0.003mm/0.0001"
MD730-C-50/MD730W-C-50	25-50mm/1-2"	0.001mm/0.00005"	0.004mm/0.00015"
MD730-C-75/MD730W-C-75	50-75mm/2-3"	0.001mm/0.00005"	0.004mm/0.00015"



MD730-D
MD730W-D

单尖头数显千分尺
Point Digital Micrometer



SPC
数据输出

SPC-B+C-04
SPC-W1-RS,RS2
SPC-W2-RS,RS2
SPC-W3-RS

- * 相对式容栅测量系统
- * 3V锂电池CR2032, 电池寿命>1年
- * SPC数据输出(内置无线传输机型, SPC输出端口不可用)
- * 内置无线数据传输(可选)
- * 适合测量异型零件不易测量的尺寸

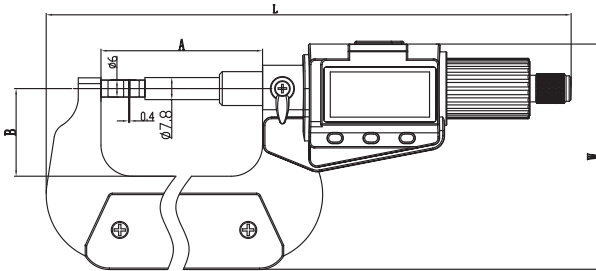
- * Incremental capacitive measurement system
- * 3V Lithium battery CR2032, battery life> 1 year
- * SPC data output(To built in wireless transmission model, the SPC output port is unavailable)
- * Built in bluetooth transmission (optional)
- * Adapt to measuring the dimension that is not easy to measure

货号 Item	规格 SPEC	分辨率 Resolution	精度(公差带) Accuracy(Tolerance Range)
MD730-D-20/MD73W-D-20	0-20mm/0-0.8"	0.001mm/0.00005"	0.003mm/0.00015"



MD730-F
MD730W-F

叶片数显千分尺
Blade Digital Micrometers



SPC-B+C-04
SPC-W1-RS,RS2
SPC-W2-RS,RS2
SPC-W3-RS

- * 相对式容栅测量系统
- * 3V锂电池CR2032, 电池寿命>1年
- * SPC数据输出(内置无线传输机型, SPC输出端口不可用)
- * 内置无线数据传输(可选)
- * 适合测量异型零件不易测量的尺寸

- * Incremental capacitive measurement system
- * 3V Lithium battery CR2032, battery life> 1 year
- * SPC data output(To built in wireless transmission model, the SPC output port is unavailable)
- * Built in bluetooth transmission (optional)
- * Adapt to measuring the dimension that is not easy to measure

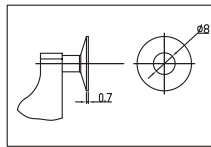
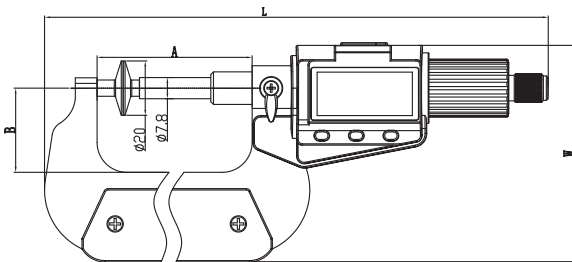
	A(mm)	B(mm)	L(mm)	W(mm)
0-25mm	56.5	31	185.4	79.6
25-50mm	81.5	44	211.9	95.1
50-75mm	107.1	56	239.9	113.1

货号 Item	规格 SPEC	分辨率 Resolution	精度(公差带) Accuracy(Tolerance Range)
MD730-F-25/MD730W-F-25	0-25mm/0-1"	0.001mm/0.00005"	0.004mm/0.00015"
MD730-F-50/MD730W-F-50	25-50mm/1-2"	0.001mm/0.00005"	0.004mm/0.00015"
MD730-F-75/MD730W-F-75	50-75mm/2-3"	0.001mm/0.00005"	0.005mm/0.0002"



MD730-G
MD730W-G

公法线数显千分尺
Disc Digital Micrometers



SPC-B+C-04
SPC-W1-RS,RS2
SPC-W2-RS,RS2
SPC-W3-RS

- * 相对式容栅测量系统
- * 3V锂电池CR2032, 电池寿命>1年
- * SPC数据输出(内置无线传输机型, SPC输出端口不可用)
- * 内置无线数据传输(可选)
- * 盘型测头可以插入缝隙测量, 可测量齿根切线方向长度

- * Incremental capacitive measurement system
- * 3V Lithium battery CR2032, battery life> 1 year
- * SPC data output(To built in wireless transmission model, the SPC output port is unavailable)
- * Built in bluetooth transmission (optional)
- * Disc measuring face can measure small slot, it can also measure the length of gear tooth tangent.

	A(mm)	B(mm)	L(mm)	W(mm)
0-25mm	56.5	31	185.4	79.6
25-50mm	81.5	44	211.9	95.1
50-75mm	107.1	56	239.9	113.1

货号 Item	规格 SPEC	分辨率 Resolution	精度(公差带) Accuracy(Tolerance Range)
MD730-G-25/MD730W-G-25	0-25mm/0-1"	0.001mm/0.00005"	0.004mm/0.00015"
MD730-G-50/MD730W-G-50	25-50mm/1-2"	0.001mm/0.00005"	0.004mm/0.00015"
MD730-G-75/MD730W-G-75	50-75mm/2-3"	0.001mm/0.00005"	0.005mm/0.0002"

Digital Micrometer

SPC
数据输出

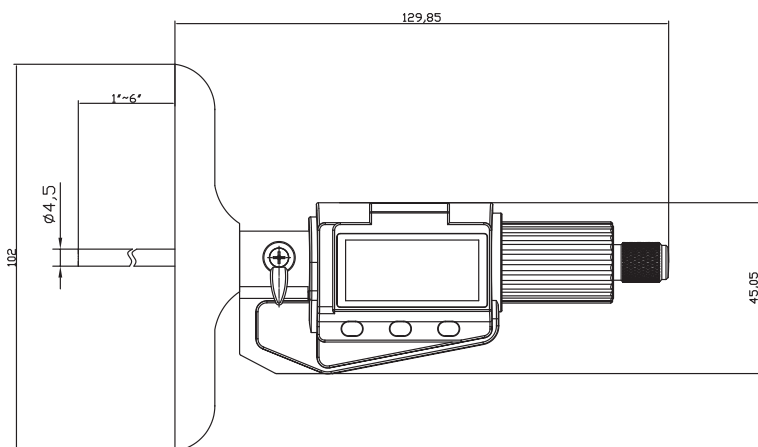


SPC-B+C-04
SPC-W1-RS,RS2
SPC-W2-RS,RS2
SPC-W3-RS

- * 相对式容栅测量系统
- * 3V锂电池CR2032, 电池寿命>1年
- * SPC数据输出(内置无线传输机型, SPC输出端口不可用)
- * 内置无线数据传输(可选)
- * 可替换不同的测砧

MD730DD
MD730WDD

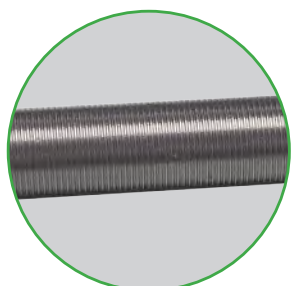
- * Incremental capacitive measurement system
- * 3V Lithium battery CR2032, battery life> 1 year
- * SPC data output(To built in wireless transmission model, the SPC output port is unavailable)
- * Built in bluetooth transmission (optional)
- * Interchangeable anvils



货号 Item	规格 SPEC	分辨率 Resolution	精度(公差带) Accuracy(Tolerance Range)
MD730DD/MD730WDD	0-150mm/0-6"	0.001mm/0.00005"	0.005mm/0.0002"



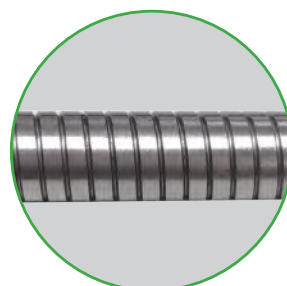
MD710Q



0.5mm螺距普通丝杆

0.5mm Screw pitch's normal lead screw

VS



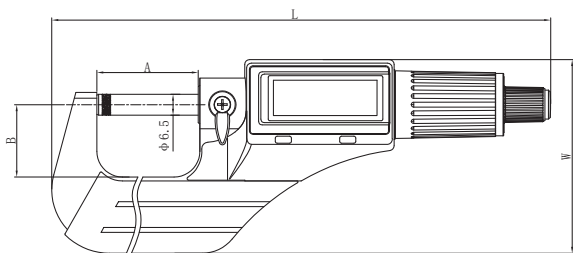
2mm螺距大螺距丝杆

2mm Large screw pitch's lead screw

2mm ↻ 速度 ↗ 4倍

- * 相对式容栅测量系统
- * 2mm螺距丝杆, 可进行快速测量, 测量速度提高4倍
- * 3V锂电池CR2032, 电池寿命>1年
- * 硬质合金测量面

- * Incremental capacitive measurement system
- * 3V lithium battery CR2032, battery life> 1 year
- * Carbide measurement surface



	A(mm)	B(mm)	L(mm)	W(mm)
0-25mm	31.5	22.5	155	60.2
25-50mm	56.5	31	185.4	77.9
50-75mm	81.5	44	211.9	93.4
75-100mm	107.1	56	239.9	111.4
100-125mm	132	66	269.7	127.8
125-150mm	156.5	80	296	145

货号 Item	规格 SPEC	分辨率 Resolution	精度(公差带) Accuracy(Tolerance Range)
MD710Q-25	0-25mm/0-1"	0.001mm/0.00005"	0.003mm/0.00015"
MD710Q-50	25-50mm/1-2"	0.001mm/0.00005"	0.003mm/0.00015"
MD710Q-75	50-75mm/2-3"	0.001mm/0.00005"	0.004mm/0.00015"
MD710Q-100	75-100mm/3-4"	0.001mm/0.00005"	0.004mm/0.00015"
MD710Q-125	100-125mm/4-5"	0.001mm/0.00005"	0.005mm/0.0002"
MD710Q-150	125-150mm/5-6"	0.001mm/0.00005"	0.005mm/0.0002"

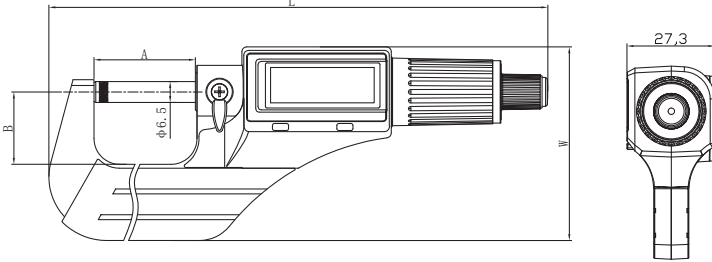
Digital Micrometer



MD710

- * 相对式容栅测量系统
- * 3V锂电池CR2032, 电池寿命>1年
- * 硬质合金测量面

- * Incremental capacitive measurement system
- * 3V lithium battery CR2032, battery life> 1 year
- * Carbide measurement surface



	A(mm)	B(mm)	L(mm)	W(mm)
0-25mm	31.5	22.5	155	60.2
25-50mm	56.5	31	185.4	77.9
50-75mm	81.5	44	211.9	93.4
75-100mm	107.1	56	239.9	111.4
100-125mm	132	66	269.7	127.8
125-150mm	156.5	80	296	145

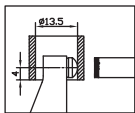
货号 Item	规格 SPEC	分辨率 Resolution	精度(公差带) Accuracy(Tolerance Range)
MD710-25	0-25mm/0-1"	0.001mm/0.00005"	0.003mm/0.00015"
MD710-50	25-50mm/1-2"	0.001mm/0.00005"	0.003mm/0.00015"
MD710-75	50-75mm/2-3"	0.001mm/0.00005"	0.004mm/0.00015"
MD710-100	75-100mm/3-4"	0.001mm/0.00005"	0.004mm/0.00015"
MD710-125	100-125mm/4-5"	0.001mm/0.00005"	0.005mm/0.0002"
MD710-150	125-150mm/5-6"	0.001mm/0.00005"	0.005mm/0.0002"



MD710-A

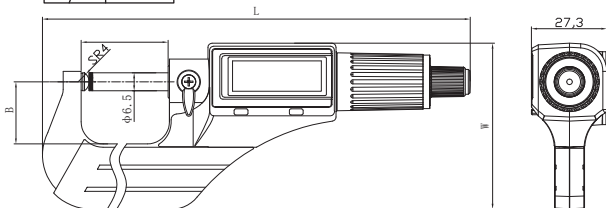
- * 相对式容栅测量系统
- * 3V锂电池CR2032, 电池寿命>1年
- * 硬质合金测量面

- * Incremental capacitive measurement system
- * 3V lithium battery CR2032, battery life> 1 year
- * Carbide measurement surface



管厚数显千分尺

Tube Thickness measuring Digital Micrometer



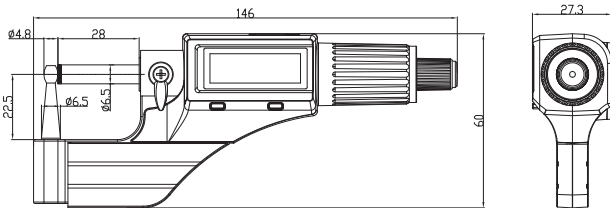
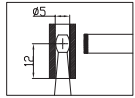
	A(mm)	B(mm)	L(mm)	W(mm)
0-25mm	31.5	22.5	155	60.2
25-50mm	56.5	31	185.4	77.9
50-75mm	81.5	44	211.9	93.4
75-100mm	107.1	56	239.9	111.4

货号 Item	规格 SPEC	分辨率 Resolution	精度(公差带) Accuracy(Tolerance Range)
MD710-A-25	0-25mm/0-1"	0.001mm/0.00005"	0.003mm/0.00015"
MD710-A-50	25-50mm/1-2"	0.001mm/0.00005"	0.003mm/0.00015"
MD710-A-75	50-75mm/2-3"	0.001mm/0.00005"	0.004mm/0.00015"
MD710-A-100	75-100mm/3-4"	0.001mm/0.00005"	0.004mm/0.00015"



MD710-AII

管厚II型数显千分尺
Tube Thickness measuring II Digital Micrometer



- * 相对式容栅测量系统
- * 3V锂电池CR2032, 电池寿命>1年
- * 硬质合金测量面
- * 测量管厚等尺寸

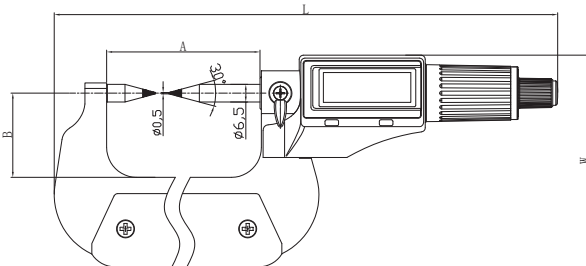
- * Incremental capacitive measurement system
- * 3V lithium battery CR2032, battery life> 1 year
- * Carbide measurement surface
- * Measuring tube thickness

货号 Item	规格 SPEC	分辨率 Resolution	精度(公差带) Accuracy(Tolerance Range)
MD710-AII-25	0-25mm/0-1"	0.001mm/0.00005"	0.003mm/0.00015"



MD710-B

双尖头数显千分尺
Double Point Digital Micrometer



- * 相对式容栅测量系统
- * 3V锂电池CR2032, 电池寿命>1年
- * 硬质合金测量面
- * 用于测量小凹槽、键槽等

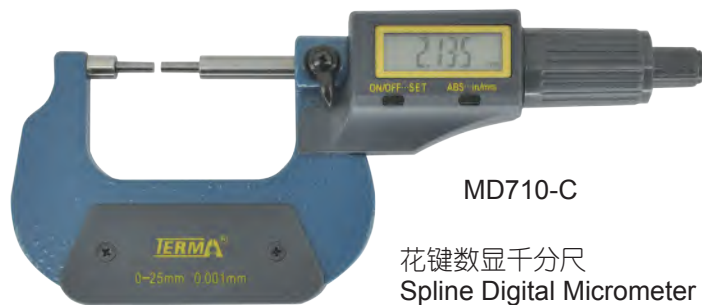
- * Incremental capacitive measurement system
- * 3V lithium battery CR2032, battery life> 1 year
- * Carbide measurement surface
- * Used to measure small grooves, keyways, etc.

	A(mm)	B(mm)	L(mm)	W(mm)
0-25mm	56.5	31	185.4	77.9
25-50mm	81.5	44	211.9	93.4
50-75mm	107.1	56	239.9	111.4
75-100mm	132	66	269.7	127.8

货号 Item	规格 SPEC	分辨率 Resolution	精度(公差带) Accuracy(Tolerance Range)
MD710-B-25	0-25mm/0-1"	0.001mm/0.00005"	0.003mm/0.00015"
MD710-B-50	25-50mm/1-2"	0.001mm/0.00005"	0.003mm/0.00015"
MD710-B-75	50-75mm/2-3"	0.001mm/0.00005"	0.004mm/0.00015"
MD710-B-100	75-100mm/3-4"	0.001mm/0.00005"	0.004mm/0.00015"

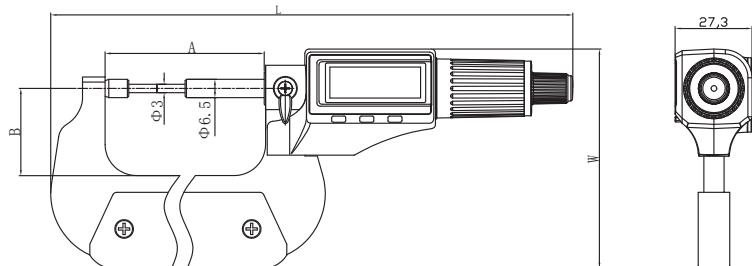
F

Digital Micrometer



- * 相对式容栅测量系统
- * 3V锂电池CR2032, 电池寿命>1年
- * 硬质合金测量面
- * 适合测量异型零件不易测量的尺寸

- * Incremental capacitive measurement system
- * 3V lithium battery CR2032, battery life> 1 year
- * Carbide measurement surface
- * Adapt to measuring the dimension that is not easy to measure



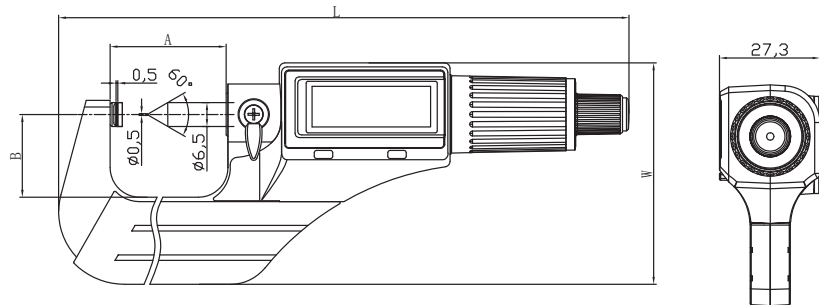
	A(mm)	B(mm)	L(mm)	W(mm)
0-25mm	56.5	31	185.4	77.9
25-50mm	81.5	44	211.9	93.4
50-75mm	107.1	56	239.9	111.4

货号 Item	规格 SPEC	分辨率 Resolution	精度(公差带) Accuracy(Tolerance Range)
MD710-C-25	0-25mm/0-1"	0.001mm/0.00005"	0.003mm/0.00015"
MD710-C-50	25-50mm/1-2"	0.001mm/0.00005"	0.003mm/0.00015"
MD710-C-75	50-75mm/2-3"	0.001mm/0.00005"	0.004mm/0.00015"



- * 相对式容栅测量系统
- * 3V锂电池CR2032, 电池寿命>1年
- * 适合测量异型零件不易测量的尺寸

- * Incremental capacitive measurement system
- * 3V lithium battery CR2032, battery life> 1 year
- * Adapt to measuring the dimension that is not easy to measure



	A(mm)	L(mm)	W(mm)
0-20mm	31.5	155	60.2

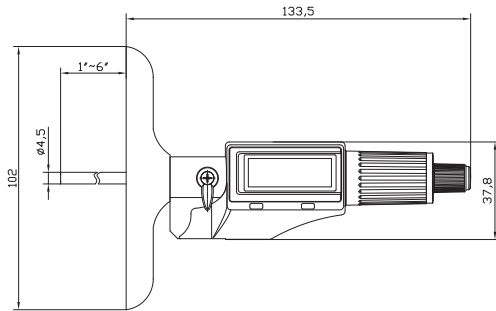
货号 Item	规格 SPEC	分辨率 Resolution	精度(公差带) Accuracy(Tolerance Range)
MD710-D-20	0-20mm/0-0.8"	0.001mm/0.00005"	0.003mm/0.00015"



数显深度千分尺
Digital Depth Micrometer

- * 相对式容栅测量系统
- * 3V锂电池CR2032, 电池寿命>1年
- * 可替换不同的测砧

- * Incremental capacitive measurement system
- * 3V lithium battery CR2032, battery life> 1 year
- * Interchangeable anvils



MD710DD

货号 Item	规格 SPEC	分辨率 Resolution	精度(公差带) Accuracy(Tolerance Range)
MD710DD	0-150mm/0-6"	0.001mm/0.00005"	0.005mm/0.0002"

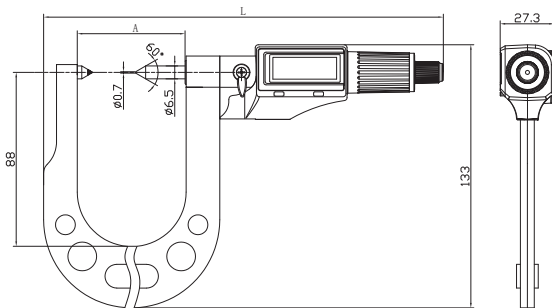


MD710DB

数显闸片千分尺
Digital Disk Brake Micrometer

- * 相对式容栅测量系统
- * 3V锂电池CR2032, 电池寿命>1年
- * 适合测量异型零件不易测量的尺寸

- * Incremental capacitive measurement system
- * 3V lithium battery CR2032, battery life> 1 year
- * Adapt to measuring the dimension that is not easy to measure



	A(mm)	L(mm)
7-32mm	44.5	192
18-43mm	54.5	202

货号 Item	规格 SPEC	分辨率 Resolution	精度(公差带) Accuracy(Tolerance Range)
MD710DDB	7-32mm/0.3-1.3"	0.001mm/0.00005"	0.004mm/0.0002"
MD710DDB	18-43mm/0.7-1.7"	0.001mm/0.00005"	0.004mm/0.0002"

F

Digital Micrometer



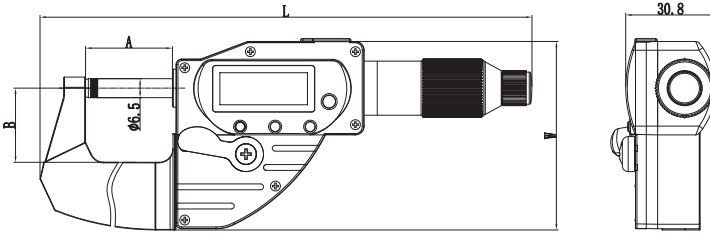
IP65

SPC
数据输出

SPC-B+C-04
SPC-W1-RS,RS2
SPC-W2-RS,RS2
SPC-W3-RS

- * 绝对式容栅测量系统
- * IP65防护等级
- * 3V锂电池CR2032, 电池寿命>1年
- * SPC数据输出(内置无线传输机型, SPC输出端口不可用)
- * 内置无线数据传输(可选)
- * 硬质合金测量面
- * 测杆不旋转, 不划伤工件
- * 杠杆驱动可进行快速测量

- * Absolute capacitive measurement system
- * IP65 Protection grade
- * 3V lithium battery CR2032, battery life> 1 year
- * SPC data output(To built in wireless transmission model, the SPC output port is unavailable)
- * Built in bluetooth transmission (optional)
- * Carbide measuring face
- * No rotating spindle avoiding scratch parts
- * Quick measuring with lever



	A(mm)	B(mm)	L(mm)	W(mm)
0-25mm	29.8	25.4	168.6	64.6
25-50mm	55.3	31	197.2	80.5
50-75mm	80.3	44	227.5	96
75-100mm	105.3	56	257.6	112.5

货号 Item	规格 SPEC	分辨率 Resolution	精度(公差带) Accuracy(Tolerance Range)
MDA910-25/MDA910W-25	0-25mm/0-1"	0.001mm/0.00005"	0.003mm/0.00015"
MDA910-50/MDA910W-50	25-50mm/1-2"	0.001mm/0.00005"	0.003mm/0.00015"
MDA910-75/MDA910W-75	50-75mm/2-3"	0.001mm/0.00005"	0.004mm/0.00015"
MDA910-100/MDA910W-100	75-100mm/3-4"	0.001mm/0.00005"	0.004mm/0.00015"



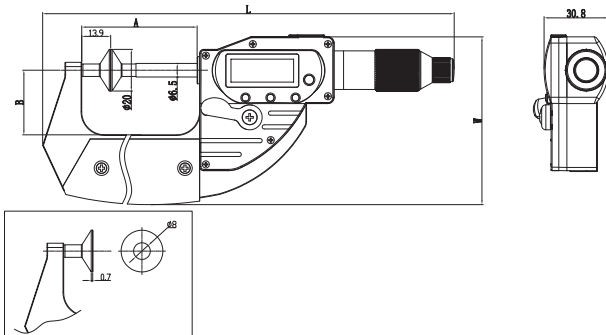
IP65

SPC
数据输出

SPC-B+C-04
SPC-W1-RS,RS2
SPC-W2-RS,RS2
SPC-W3-RS

- * 绝对式容栅测量系统
- * IP65防护等级
- * 3V锂电池CR2032, 电池寿命>1年
- * SPC数据输出
- * 内置无线数据传输(可选)
- * 测杆不旋转, 不划伤工件
- * 杠杆驱动可进行快速测量
- * 盘型测头可以插入缝隙测量, 可测量齿根切线方向长度

- * Absolute capacitive system
- * Protection grade IP65
- * 3V lithium battery CR2032, battery life> 1 year
- * SPC data output
- * Built in bluetooth transmission (optional)
- * No rotating spindle avoiding scratch parts
- * Quick measuring with lever
- * Disc measuring face can measure small slot, it can also measure the length of gear tooth tangent.

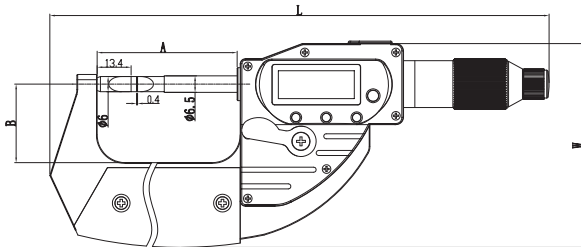


	A(mm)	B(mm)	L(mm)	W(mm)
0-25mm	55.3	31	197.2	80.5
25-50mm	80.3	44	227.5	96
50-75mm	105.3	56	257.6	112.5

货号 Item	规格 SPEC	分辨率 Resolution	精度(公差带) Accuracy(Tolerance Range)
MDA910-D-25/MDA910W-D-25	0-25mm/0-1"	0.001mm/0.00005"	0.003mm/0.00015"
MDA910-D-50/MDA910W-D-50	25-50mm/1-2"	0.001mm/0.00005"	0.004mm/0.0002"
MDA910-D-75/MDA910W-D-75	50-75mm/2-3"	0.001mm/0.00005"	0.004mm/0.0002"



叶片数显千分尺
Blade Digital Micrometers



	A(mm)	B(mm)	L(mm)	W(mm)
0-25mm	55.3	31	197.2	80.5
25-50mm	80.3	44	227.5	96
50-75mm	105.3	56	257.6	112.5

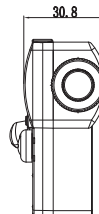
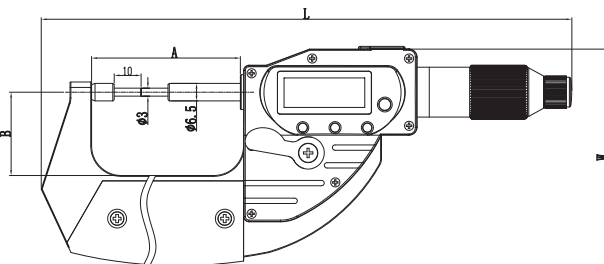
货号 Item	规格 SPEC	分辨率 Resolution	精度(公差带) Accuracy(Tolerance Range)
MDA910-B-25/MDA910W-B-25	0-25mm/0-1"	0.001mm/0.00005"	0.003mm/0.00015"
MDA910-B-50/MDA910W-B-50	25-50mm/1-2"	0.001mm/0.00005"	0.004mm/0.0002"
MDA910-B-75/MDA910W-B-75	50-75mm/2-3"	0.001mm/0.00005"	0.004mm/0.0002"

- * 绝对式容栅测量系统
- * IP65防护等级
- * 3V锂电池CR2032, 电池寿命>1年
- * SPC数据输出(内置无线传输机型, SPC输出端口不可用)
- * 内置无线数据传输(可选)
- * 测杆不旋转, 不划伤工件
- * 杠杆驱动可进行快速测量
- * 适合测量异型零件不易测量的尺寸

- * Absolute capacitive measurement system
- * IP65 Protection grade
- * 3V lithium battery CR2032, battery life> 1 year
- * SPC data output(To built in wireless transmission model, the SPC output port is unavailable)
- * Built in bluetooth transmission (optional)
- * No rotating spindle avoiding scratch parts
- * Quick measuring with lever
- * Adapt to measuring the dimension that is not easy to measure



花键数显千分尺
Spline Digital Micrometers



	A(mm)	B(mm)	L(mm)	W(mm)
0-25mm	55.3	31	197.2	80.5
25-50mm	80.3	44	227.5	96
50-75mm	105.3	56	257.6	112.5

货号 Item	规格 SPEC	分辨率 Resolution	精度(公差带) Accuracy(Tolerance Range)
MDA910-C-25/MDA910W-C-25	0-25mm/0-1"	0.001mm/0.00005"	0.003mm/0.00015"
MDA910-C-50/MDA910W-C-50	25-50mm/1-2"	0.001mm/0.00005"	0.004mm/0.0002"
MDA910-C-75/MDA910W-C-75	50-75mm/2-3"	0.001mm/0.00005"	0.004mm/0.0002"

- * 绝对式容栅测量系统
- * IP65防护等级
- * 3V锂电池CR2032, 电池寿命>1年
- * SPC数据输出(内置无线传输机型, SPC输出端口不可用)
- * 内置无线数据传输(可选)
- * 硬质合金测量面
- * 测杆不旋转, 不划伤工件
- * 杠杆驱动可进行快速测量
- * 适合测量花键等零件尺寸

- * Absolute capacitive measurement system
- * IP65 Protection grade
- * 3V lithium battery CR2032, battery life> 1 year
- * SPC data output(To built in wireless transmission model, the SPC output port is unavailable)
- * Built in bluetooth transmission (optional)
- * Carbide measuring face
- * No rotating spindle avoiding scratch parts
- * Quick measuring with lever
- * Adapt to measuring the dimension that is not easy to measure

Micrometer



MA210

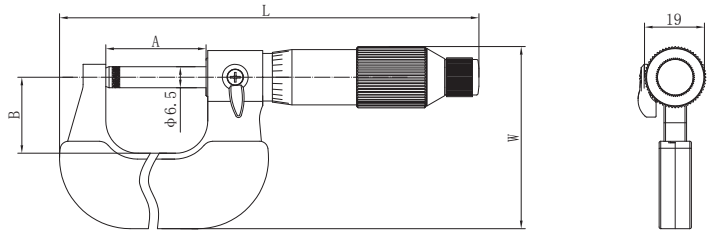
金属棘轮千分尺
Metal ratchet stop micrometer

- * 硬质合金测量面
- * 棘轮测力
- * Carbide measuring face
- * Ratchet stop



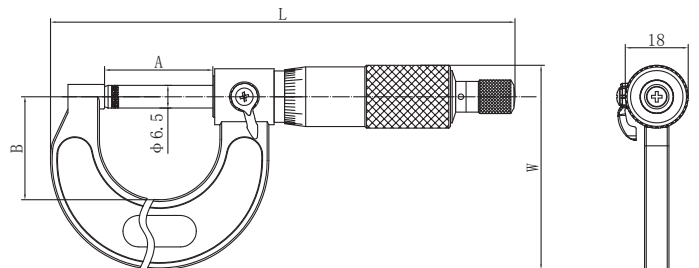
MA210

塑料棘轮千分尺
Plastic Ratchet stop Micrometer



MA220

金属棘轮千分尺
Metal ratchet stop micrometer



货号 Item	规格 SPEC	分辨率 Resolution	精度(公差带) Accuracy(Tolerance Range)	A(mm)	B(mm)	L(mm)	W(mm)
MA210-25	0-25mm/0-1"	0.01mm/0.0001"	0.004mm/0.00015"	31	23.5	127.8	56.2
MA210-50	25-50mm/1-2"	0.01mm/0.0001"	0.004mm/0.00015"	56.5	31	160.1	72.9
MA210-75	50-75mm/2-3"	0.01mm/0.0001"	0.005mm/0.0002"	81.5	44	186.6	88.2
MA210-100	75-100mm/3-4"	0.01mm/0.0001"	0.005mm/0.0002"	107.1	56	214.6	104.2
MA210-125	100-125mm/4-5"	0.01mm/0.0001"	0.006mm/0.00025"	132.5	66	243.3	122.2
MA210-150	125-150mm/5-6"	0.01mm/0.0001"	0.006mm/0.00025"	157.5	80	271.1	139.7
MA220-25	0-25mm/0-1"	0.01mm/0.0001"	0.004mm/0.00015"	31	29.5	133.8	58.5
MA220-50	25-50mm/1-2"	0.01mm/0.0001"	0.004mm/0.00015"	56	38	160	76
MA220-75	50-75mm/2-3"	0.01mm/0.0001"	0.005mm/0.0002"	81	51	185.5	91
MA220-100	75-100mm/3-4"	0.01mm/0.0001"	0.005mm/0.0002"	106	63.5	210.5	105
MA220-125	100-125mm/4-5"	0.01mm/0.0001"	0.006mm/0.00025"	131	76	237.3	125
MA220-150	125-150mm/5-6"	0.01mm/0.0001"	0.006mm/0.00025"	156	89	263.8	142
MA220-175	150-175mm/6-7"	0.01mm/0.0001"	0.007mm/0.00025"	180	115	290	160
MA220-200	175-200mm/7-8"	0.01mm/0.0001"	0.007mm/0.00025"	206	125	313	173
MA220-225	200-225mm/8-9"	0.01mm/0.0001"	0.008mm/0.0003"	232	140	340	190
MA220-250	225-250mm/9-10"	0.01mm/0.0001"	0.008mm/0.0003"	258	145	366	198
MA220-275	250-275mm/10-11"	0.01mm/0.0001"	0.009mm/0.00035"	281	160	392	220
MA220-300	275-300mm/11-12"	0.01mm/0.0001"	0.009mm/0.00035"	308	167	416	230

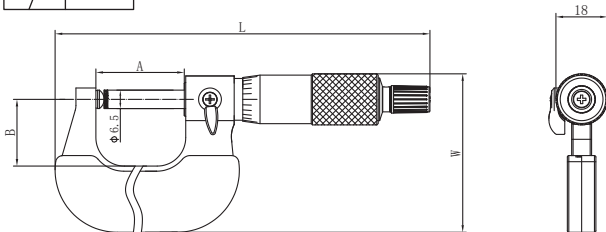
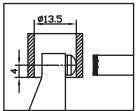


MA210-A

管厚千分尺
Tube Thickness measuring Micrometer

- * 硬质合金测量面
- * 棘轮测力
- * 测量管厚等尺寸

- * Carbide measuring face
- * Ratchet stop
- * Measuring tube thickness



	A(mm)	B(mm)	L(mm)	W(mm)
0-25mm	31	23.5	130.8	55.8
25-50mm	56.5	31	163.1	72.5
50-75mm	81.5	44	189.6	87.8
75-100mm	107.1	56	217.6	103.8

货号 Item	规格 SPEC	分辨率 Resolution	精度(公差带) Accuracy(Tolerance Range)
MA210-A-25	0-25mm/0-1"	0.01mm/0.0001"	0.004mm/0.00015"
MA210-A-50	25-50mm/1-2"	0.01mm/0.0001"	0.004mm/0.00015"
MA210-A-75	50-75mm/2-3"	0.01mm/0.0001"	0.005mm/0.0002"
MA210-A-100	75-100mm/3-4"	0.01mm/0.0001"	0.005mm/0.0002"

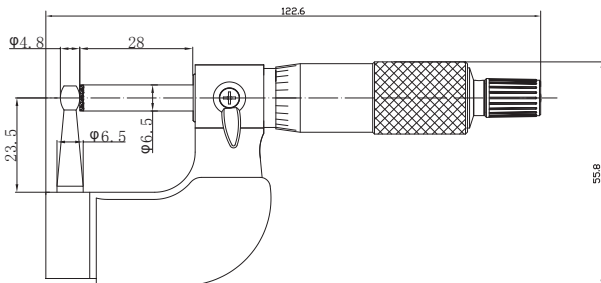


MA210-AII

管厚II千分尺
Tube Thickness measuring II Micrometer

- * 硬质合金测量面
- * 棘轮测力
- * 测量管厚等尺寸

- * Carbide measuring face
- * Ratchet stop
- * Measuring tube thickness



货号 Item	规格 SPEC	分辨率 Resolution	精度(公差带) Accuracy(Tolerance Range)
MA210-AII-25	0-25mm/0-1.0"	0.01mm/0.0001"	0.004mm/0.00015"

Micrometer

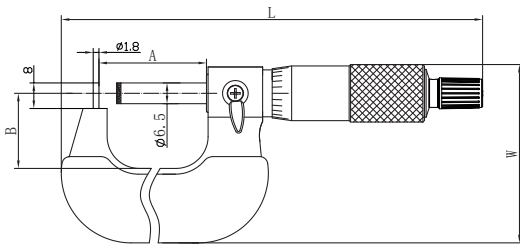


MA210-AIII

管厚III千分尺
Tube Thickness measuring III Micrometer

- * 硬质合金测量面
- * 棘轮测力
- * 测量管厚等尺寸

- * Carbide measuring face
- * Ratchet stop
- * Measuring tube thickness



	A(mm)	B(mm)	L(mm)	W(mm)
0-25mm	31	23.5	130.8	55.8
25-50mm	56.5	31	163.1	72.5
50-75mm	81.5	44	189.6	87.8
75-100mm	107.1	56	217.6	103.8

货号 Item	规格 SPEC	分辨率 Resolution	精度(公差带) Accuracy(Tolerance Range)
MA210-AIII-25	0-25mm/0-1"	0.01mm/0.0001"	0.004mm/0.00015"
MA210-AIII-50	25-50mm/1-2"	0.01mm/0.0001"	0.004mm/0.00015"
MA210-AIII-75	50-75mm/2-3"	0.01mm/0.0001"	0.005mm/0.0002"
MA210-AIII-100	75-100mm/3-4"	0.01mm/0.0001"	0.005mm/0.0002"

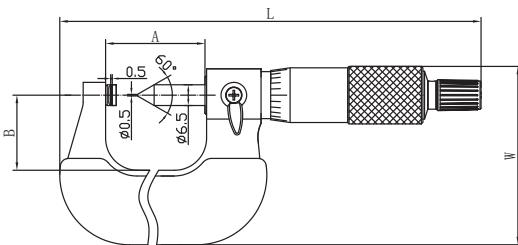


MA210-B

单尖头千分尺
Point Micrometer

- * 棘轮测力
- * 用于测量夹钳式压接的高度

- * Ratchet stop
- * Measure the height of contact



	A(mm)	B(mm)	L(mm)	W(mm)
0-25mm	31	23.5	130.8	55.8
25-50mm	56.5	31	163.1	72.5
50-75mm	81.5	44	189.6	87.8
75-100mm	107.1	56	217.6	103.8

货号 Item	规格 SPEC	分辨率 Resolution	精度(公差带) Accuracy(Tolerance Range)
MA210-B-25	0-25mm/0-1"	0.01mm/0.0001"	0.004mm/0.00015"
MA210-B-50	25-50mm/1-2"	0.01mm/0.0001"	0.004mm/0.00015"
MA210-B-75	50-75mm/2-3"	0.01mm/0.0001"	0.005mm/0.0002"
MA210-B-100	75-100mm/3-4"	0.01mm/0.0001"	0.005mm/0.0002"

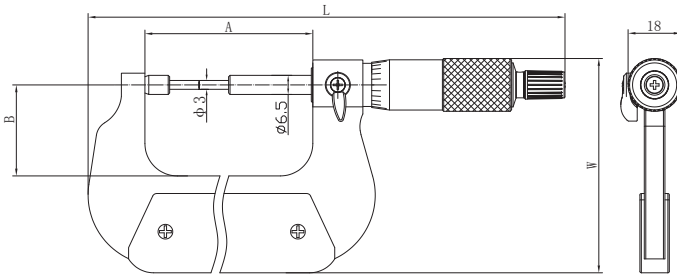


MA210-C

花键千分尺
Spline Micrometer

- * 硬质合金测量面
- * 棘轮测力
- * 用于测量花键轴、槽和键沟

- * Carbide measuring face
- * Ratchet stop
- * Used for measuring spline shaft, groove and key groove.



	A(mm)	B(mm)	L(mm)	W(mm)
0-25mm	56.5	31	163.1	72.5
25-50mm	81.5	44	189.6	87.8
50-75mm	107.1	56	217.6	103.8

货号 Item	规格 SPEC	分辨率 Resolution	精度(公差带) Accuracy(Tolerance Range)
MA210-C-25	0-25mm/0-1"	0.01mm/0.0001"	0.004mm/0.00015"
MA210-C-50	25-50mm/1-2"	0.01mm/0.0001"	0.004mm/0.00015"
MA210-C-75	50-75mm/2-3"	0.01mm/0.0001"	0.005mm/0.0002"

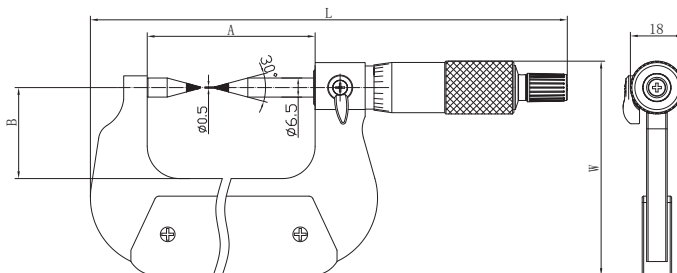


MA210-D

双尖头千分尺
Double Point Micrometer

- * 硬质合金测量面
- * 棘轮测力
- * 用于测量小凹槽、键槽等

- * Carbide measurement surface
- * Ratchet wheel load
- * Used to measure small grooves, keyways, etc.



	A(mm)	B(mm)	L(mm)	W(mm)
0-25mm	56.5	31	163.1	72.5
25-50mm	81.5	44	189.6	87.8
50-75mm	107.1	56	217.6	103.8

货号 Item	规格 SPEC	分辨率 Resolution	精度(公差带) Accuracy(Tolerance Range)
MA210-D-25	0-25mm/0-1"	0.01mm/0.0001"	0.004mm/0.00015"
MA210-D-50	25-50mm/1-2"	0.01mm/0.0001"	0.004mm/0.00015"
MA210-D-75	50-75mm/2-3"	0.01mm/0.0001"	0.005mm/0.0002"

Micrometer

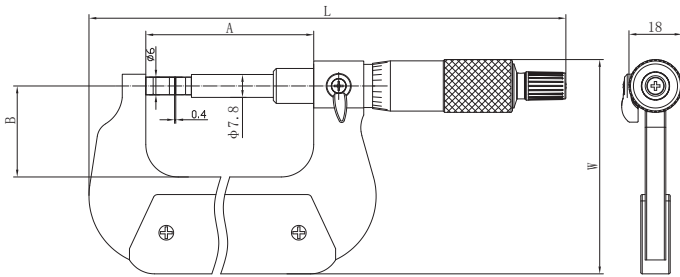


MA210-E

叶片千分尺
Blade Micrometers

- * 棘轮测力
- * 适合测量异型零件不易测量的尺寸

- * Ratchet wheel load
- * Adapt to measuring the dimension that is not easy to measure



	A(mm)	B(mm)	L(mm)	W(mm)
0-25mm	56.5	31	163.1	72.5
25-50mm	81.5	44	189.6	87.8
50-75mm	107.1	56	217.6	103.8

货号 Item	规格 SPEC	分辨率 Resolution	精度(公差带) Accuracy(Tolerance Range)
MA210-E-25	0-25mm/0-1"	0.01mm/0.0001"	0.004mm/0.00015"
MA210-E-50	25-50mm/1-2"	0.01mm/0.0001"	0.004mm/0.00015"
MA210-E-75	50-75mm/2-3"	0.01mm/0.0001"	0.005mm/0.0002"

F

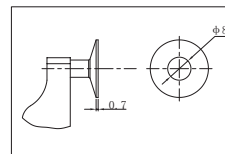
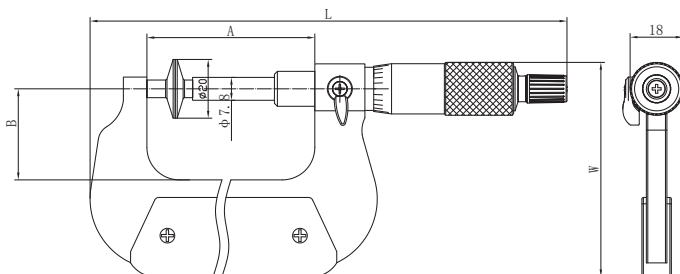


MA210-F

公法线千分尺
Disc Micrometers

- * 棘轮测力
- * 盘型测头可以插入缝隙测量，可测量齿根切线方向长度

- * Ratchet wheel load
- * Disc measuring face can measure small slot, it can also measure the length of gear tooth tangent.



	A(mm)	B(mm)	L(mm)	W(mm)
0-25mm	56.5	31	163.1	72.5
25-50mm	81.5	44	189.6	87.8
50-75mm	107.1	56	217.6	103.8

货号 Item	规格 SPEC	分辨率 Resolution	精度(公差带) Accuracy(Tolerance Range)
MA210-F-25	0-25mm/0-1"	0.01mm/0.0001"	0.004mm/0.00015"
MA210-F-50	25-50mm/1-2"	0.01mm/0.0001"	0.004mm/0.00015"
MA210-F-75	50-75mm/2-3"	0.01mm/0.0001"	0.005mm/0.0002"

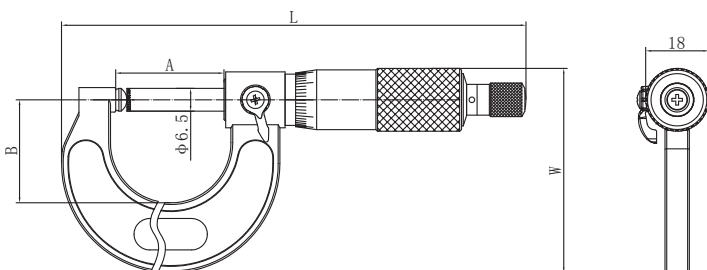


MA220-A

管厚千分尺
Tube Thickness measuring Micrometer

- * 硬质合金测量面
- * 棘轮测力
- * 测量管厚等尺寸

- * Carbide measuring face
- * Ratchet stop
- * Measuring tube thickness



	A(mm)	B(mm)	L(mm)	W(mm)
0-25mm	31	29.5	133	58.5
25-50mm	56	38	137.2	76
50-75mm	81	51	162.7	91
75-100mm	106	63.5	187.7	105
100-125mm	131	76	214.5	125
125-150mm	156	89	251	142

货号 Item	规格 SPEC	分辨率 Resolution	精度(公差带) Accuracy(Tolerance Range)
MA220-A-25	0-25mm/0-1"	0.01mm/0.0001"	0.004mm/0.00015"
MA220-A-50	25-50mm/1-2"	0.01mm/0.0001"	0.004mm/0.00015"
MA220-A-75	50-75mm/2-3"	0.01mm/0.0001"	0.005mm/0.0002"
MA220-A-100	75-100mm/3-4"	0.01mm/0.0001"	0.005mm/0.0002"
MA220-A-125	100-125mm/4-5"	0.01mm/0.0001"	0.006mm/0.00025"
MA220-A-150	125-150mm/5-6"	0.01mm/0.0001"	0.006mm/0.00025"

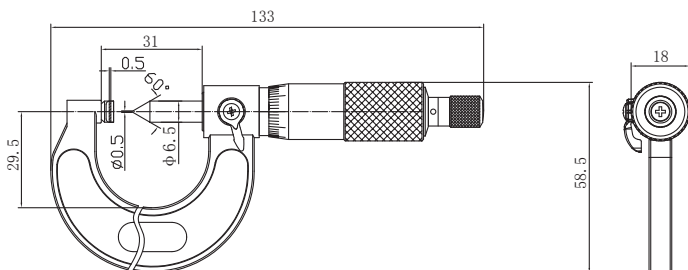


MA220-B

单尖头千分尺
Point Micrometer

- * 棘轮测力
- * 用于测量夹钳式压接的高度

- * Ratchet stop
- * Measure the height of contact



货号 Item	规格 SPEC	分辨率 Resolution	精度(公差带) Accuracy(Tolerance Range)
MA220-B-20	0-20mm/0-0.8"	0.01mm/0.0001"	0.004mm/0.00015"

F

Micrometer

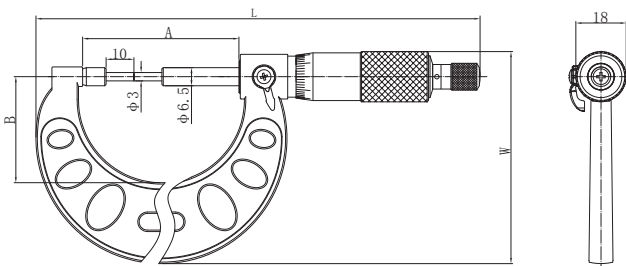


MA220-C

花键千分尺
Spline Micrometer

- * 硬质合金测量面
- * 棘轮测力
- * 用于测量花键轴、槽和键沟

- * Carbide measuring face
- * Ratchet stop
- * Used for measuring spline shaft, groove and key groove.



	A(mm)	B(mm)	L(mm)	W(mm)
0-25mm	56	38	160	76
25-50mm	81	51	185.5	91
50-75mm	106	63.5	210.5	105
75-100mm	131	76	237.3	125
100-125mm	156	89	263.8	142

货号 Item	规格 SPEC	分辨率 Resolution	精度(公差带) Accuracy(Tolerance Range)
MA220-C-25	0-25mm/0-1"	0.01mm/0.0001"	0.004mm/0.00015"
MA220-C-50	25-50mm/1-2"	0.01mm/0.0001"	0.004mm/0.00015"
MA220-C-75	50-75mm/2-3"	0.01mm/0.0001"	0.005mm/0.0002"
MA220-C-100	75-100mm/3-4"	0.01mm/0.0001"	0.005mm/0.0002"
MA220-C-125	100-125mm/4-5"	0.01mm/0.0001"	0.006mm/0.00025"

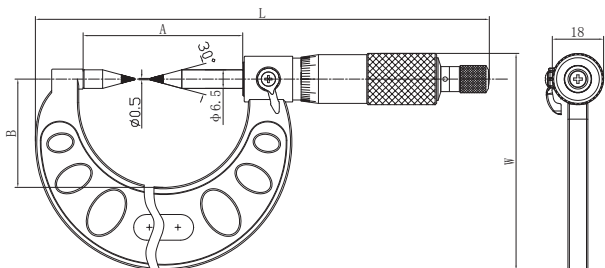


MA220-D

双尖头千分尺
Double Point Micrometer

- * 硬质合金测量面
- * 棘轮测力
- * 用于测量小凹槽、键槽等

- * Carbide measuring face
- * Ratchet wheel load
- * Used to measure small grooves, keyways, etc.



	A(mm)	B(mm)	L(mm)	W(mm)
0-25mm	56	38	160	76
25-50mm	81	51	185.5	91
50-75mm	106	63.5	210.5	105
75-100mm	131	76	237.3	125
100-125mm	156	89	263.8	142

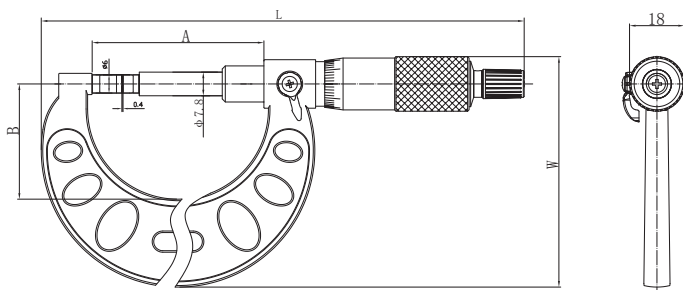
货号 Item	规格 SPEC	分辨率 Resolution	精度(公差带) Accuracy(Tolerance Range)
MA220-D-25	0-25mm/0-1"	0.01mm/0.0001"	0.004mm/0.00015"
MA220-D-50	25-50mm/1-2"	0.01mm/0.0001"	0.004mm/0.00015"
MA220-D-75	50-75mm/2-3"	0.01mm/0.0001"	0.005mm/0.0002"
MA220-D-100	75-100mm/3-4"	0.01mm/0.0001"	0.005mm/0.0002"
MA220-D-125	100-125mm/4-5"	0.01mm/0.0001"	0.006mm/0.00025"



MA220-E
叶片千分尺
Blade Micrometers

- * 棘轮测力
- * 适合测量异型零件不易测量的尺寸

- * Ratchet wheel load
- * Adapt to measuring the dimension that is not easy to measure



	A(mm)	B(mm)	L(mm)	W(mm)
0-25mm	56	38	160	76
25-50mm	81	51	185.5	91
50-75mm	106	63.5	210.5	105

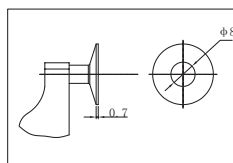
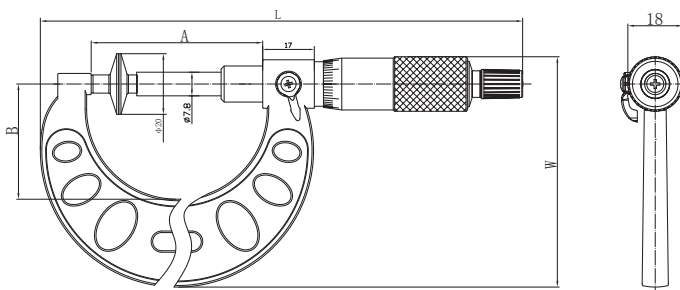
货号 Item	规格 SPEC	分辨率 Resolution	精度(公差带) Accuracy(Tolerance Range)
MA220-E-25	0-25mm/0-1"	0.01mm/0.0001"	0.004mm/0.00015"
MA220-E-50	25-50mm/1-2"	0.01mm/0.0001"	0.004mm/0.00015"
MA220-E-75	50-75mm/2-3"	0.01mm/0.0001"	0.005mm/0.0002"



MA220-F
公法线千分尺
Disc Micrometers

- * 棘轮测力
- * 盘型测头可以插入缝隙测量，可测量齿根切线方向长度

- * Ratchet wheel load
- * Disc measuring face can measure small slot, it can also measure the length of gear tooth tangent.

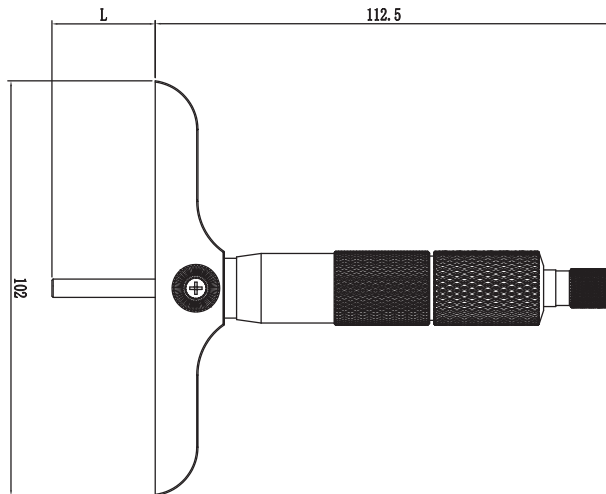


	A(mm)	B(mm)	L(mm)	W(mm)
0-25mm	56	38	160	76
25-50mm	81	51	185.5	91
50-75mm	106	63.5	210.5	105

货号 Item	规格 SPEC	分辨率 Resolution	精度(公差带) Accuracy(Tolerance Range)
MA220-F-25	0-25mm/0-1"	0.01mm/0.0001"	0.004mm/0.00015"
MA220-F-50	25-50mm/1-2"	0.01mm/0.0001"	0.004mm/0.00015"
MA220-F-75	50-75mm/2-3"	0.01mm/0.0001"	0.005mm/0.0002"

Micrometer

机械深度千分尺
Depth Micrometer



- * 测杆为平测头
- * 棘轮测力
- * 可替换不同的测砧
- * Flat measuring surface
- * Ratchet stop
- * Interchangeable anvils

	L(mm)
0-25mm/0-1"	25.4
0-50mm/0-2"	50.8
0-75mm/0-3"	76.2
0-100mm/0-4"	101.6
0-125mm/0-5"	127
0-150mm/0-6"	152.4

货号 Item	规格 SPEC	分辨率 Resolution	精度(公差带) Accuracy(Tolerance Range)
MA230	0-150mm/0-6"	0.01mm/0.0005"	0.005mm/0.0002"



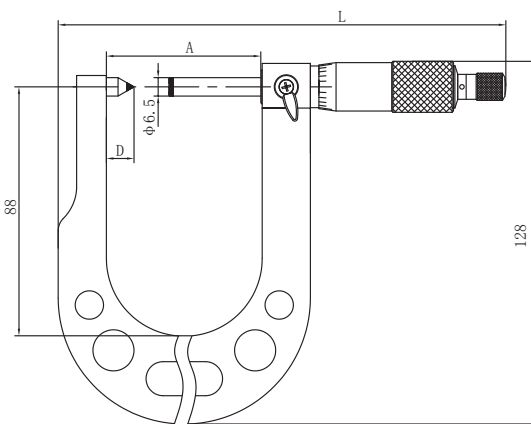
MB310

闸片千分尺
Disk Brake Micrometer

- * 硬质合金测量面
- * 棘轮测力
- * 用于测量刹车盘厚度

- * Carbide measuring face
- * Ratchet stop
- * Used to measure brake disc thickness in car

F



	A(mm)	L(mm)
7-32mm	44.5	148
10-45mm	54.5	158
0.3-1.3"	44.5	148
0.3-1.7"	54.5	158

货号 Item	规格 SPEC	分辨率 Resolution	精度(公差带) Accuracy(Tolerance Range)
MB310	7-32mm	0.01mm	0.004mm
MB310	10-45mm	0.01mm	0.004mm
MB310	0.3-1.3"	0.0001"	0.00015"
MB310	0.3-1.7"	0.0001"	0.00015"

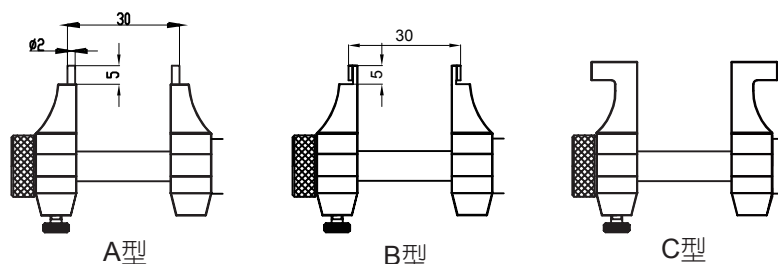
Water-Proof Digital Inside Micrometer with inductive measuring system



MDE310K
MDE310KW

- * 电感式相对测量系统
- * IP65防护等级
- * 内置充电锂电池，磁吸式充电接口
- * SPC数据输出(内置无线传输机型，SPC输出端口不可用)
- * 内置无线数据输出(可选)
- * 棘轮恒测力
- * 硬质合金测量面
- * 用于各种内尺寸的测量

- * Inductive measurement system
- * IP65 Protection grade
- * Built-in rechargeable lithium battery, magnetic charging port
- * SPC data output(To built in wireless transmission model, the SPC output port is unavailable)
- * Built in bluetooth data transmission (optional)
- * Ratchet stop
- * Carbide measurement surface
- * Measure the inside dimensions



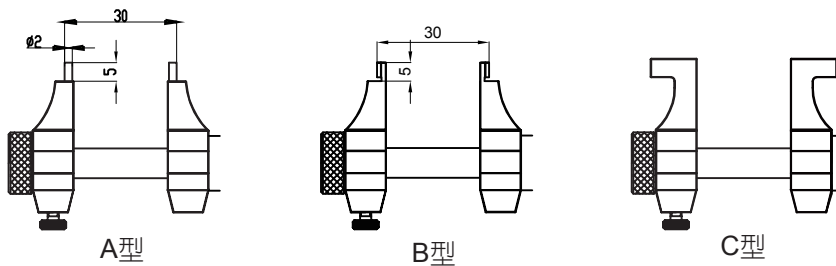
货号 Item	规格 SPEC	分辨率 Resolution	精度 Accuracy	型号 Model	环规 Ring gauge
MDE310K-30/MDE310KW-30	5-30mm	0.001mm/0.00005"	±0.005mm/±0.0002"	A/B	5mm
MDE310K-50/MDE310KW-50	25-50mm	0.001mm/0.00005"	±0.006mm/±0.00025"	C	25mm
MDE310K-75/MDE310KW-75	50-75mm	0.001mm/0.00005"	±0.007mm/±0.0003"	C	50mm(选配)
MDE310K-100/MDE310KW-100	75-100mm	0.001mm/0.00005"	±0.008mm/±0.0003"	C	75mm(选配)
MDE310K-125/MDE310KW-125	100-125mm	0.001mm/0.00005"	±0.009mm/±0.00035"	C	100mm(选配)
MDE310K-150/MDE310KW-150	125-150mm	0.001mm/0.00005"	±0.009mm/±0.00035"	C	125mm(选配)
MDE310K-175/MDE310KW-175	150-175mm	0.001mm/0.00005"	±0.010mm/±0.0004"	C	150mm(选配)
MDE310K-200/MDE310KW-200	175-200mm	0.001mm/0.00005"	±0.010mm/±0.0004"	C	175mm(选配)



MA260

- * 棘轮测力
- * 用于各种内尺寸的测量
- * 硬质合金测量面

- * Ratchet stop
- * Measure the inside dimensions
- * Carbide measuring face



A型

B型

C型

货号 Item	规格 SPEC	分辨率 Resolution	精度 Accuracy	型号 Model	环规 Ring gauge
MA260-30	5-30mm	0.01mm/0.001"	±0.005mm/±0.0002"	A/B	5mm
MA260-50	25-50mm	0.01mm/0.001"	±0.006mm/±0.00025"	C	25mm
MA260-75	50-75mm	0.01mm/0.001"	±0.007mm/±0.0003"	C	50mm(选配)
MA260-100	75-100mm	0.01mm/0.001"	±0.008mm/±0.0003"	C	75mm(选配)
MA260-125	100-125mm	0.01mm/0.001"	±0.009mm/±0.00035"	C	100mm(选配)
MA260-150	125-150mm	0.01mm/0.001"	±0.009mm/±0.00035"	C	125mm(选配)
MA260-175	150-175mm	0.01mm/0.001"	±0.010mm/±0.0004"	C	150mm(选配)
MA260-200	175-200mm	0.01mm/0.001"	±0.010mm/±0.0004"	C	175mm(选配)
MA260-225	200-225mm	0.01mm/0.001"	±0.011mm/±0.00045"	C	200mm(选配)
MA260-250	225-250mm	0.01mm/0.001"	±0.012mm/±0.0005"	C	225mm(选配)
MA260-275	250-275mm	0.01mm/0.001"	±0.013mm/±0.0005"	C	250mm(选配)
MA260-300	275-300mm	0.01mm/0.001"	±0.014mm/±0.00055"	C	275mm(选配)

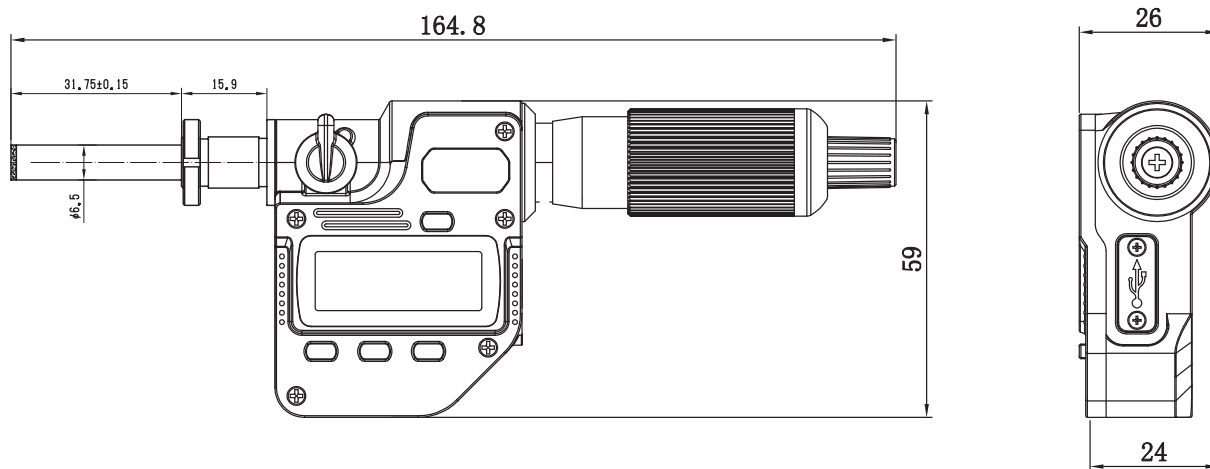
Water-Proof Digital Micrometer Head with inductive measuring system



MDE310H
MDE310HW

- * 电感式相对测量系统
- * IP65防护等级
- * 3V锂电池CR2450, 电池寿命>1年
- * SPC数据输出(内置无线传输机型, SPC输出端口不可用)
- * 内置无线数据输出(可选)
- * 棘轮恒测力
- * 硬质合金测量面

- * Inductive measurement system
- * IP65 Protection grade
- * 3V Lithium battery CR2450, battery life> 1 year
- * SPC data output(To built in wireless transmission model, the SPC output port is unavailable)
- * Built in bluetooth data transmission (optional)
- * Ratchet stop
- * Carbide measurement surface



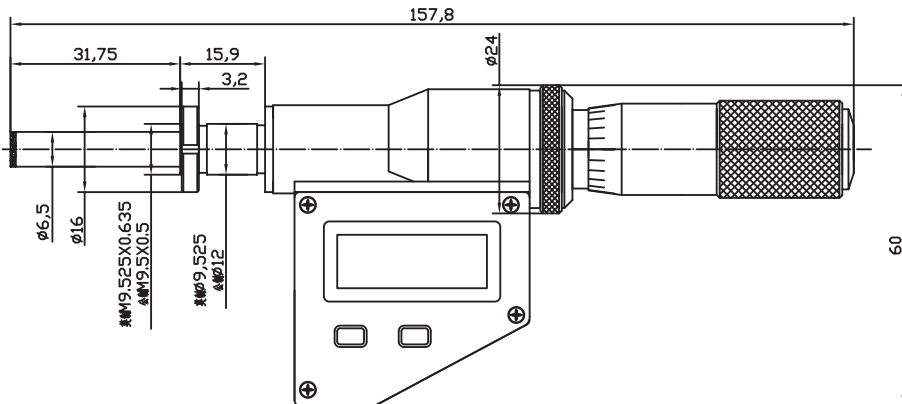
货号 Item	规格 SPEC	分辨率 Resolution	精度(公差带) Accuracy(Tolerance Range)
MDE310H-25/MDE310HW-25	0-25mm/0-1"	0.001mm/0.00005"	0.003m/0.00015"



MD320H

- * 相对式容栅测量系统
- * IP65防护等级
- * 3V锂电池CR2032, 电池寿命>1年
- * SPC数据输出
- * 硬质合金测量面
- * 烤漆尺架
- * 平头、球头可选

- * Incremental capacitive measurement system
- * IP65 Protection grade
- * 3V lithium battery CR2032, battery life> 1 year
- * SPC data output
- * Carbide measurement surface
- * Painted frame
- * Plate tip (spherical tip optional)



货号 Item	规格 SPEC	分辨率 Resolution	精度(公差带) Accuracy(Tolerance Range)
MD320H-25	0-25mm/0-1"	0.001mm/0.00005"	0.003mm/0.00015"
MD320H-50	0-50mm/0-2"	0.001mm/0.00005"	0.003mm/0.00015"

Digital Micrometer Head



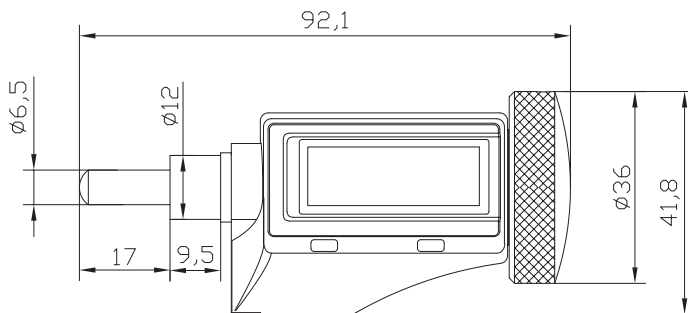
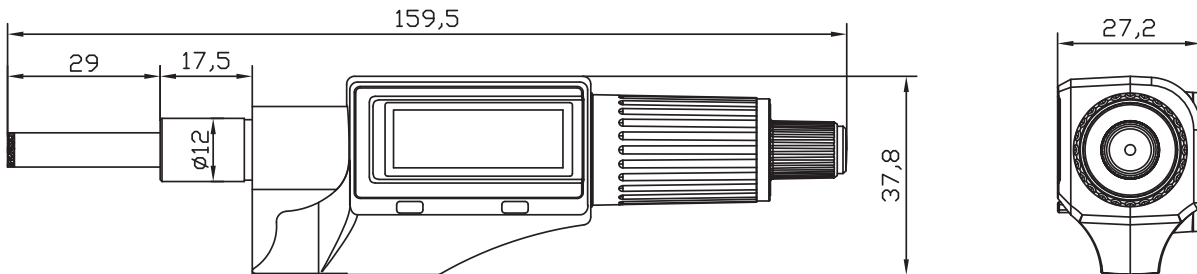
MD710H

- * 相对式容栅测量系统
- * 3V锂电池CR2032, 电池寿命>1年
- * SPC数据输出
- * 硬质合金测量面
- * 平头、球头可选



MD710AH

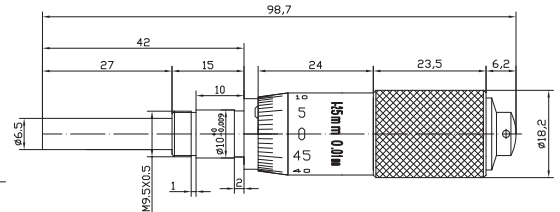
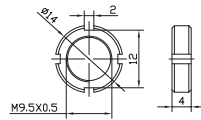
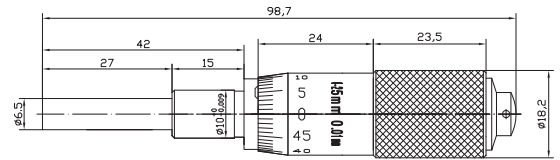
- * Incremental capacitive measurement system
- * 3V Lithium battery CR2032, battery life> 1 year
- * SPC data output
- * Carbide measurement surface
- * Plate tip (spherical tip optional)



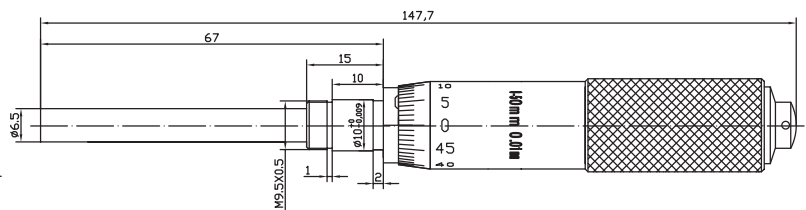
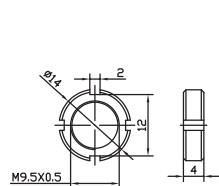
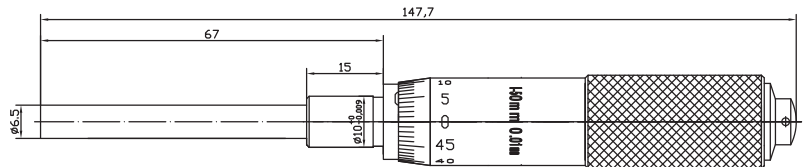
货号 Item	规格 SPEC	分辨率 Resolution	精度(公差带) Accuracy(Tolerance Range)
MD710H-25	0-25mm/0-1"	0.001mm/0.00005"	0.003mm/0.00015"
MD710AH-15	0-15mm/0-0.5"	0.001mm/0.00005"	0.003mm/0.00015"



MA310 0-25mm



MA310 0-50mm



- * 平头硬质合金测量可选
- * 平头、球头可选
- * 带并帽可选

- * Flat carbide tip optional
- * Flat, spherical steel tip optional
- * Fix nut optional

货号 Item	规格 SPEC	分辨率 Resolution	精度(公差带) Accuracy(Tolerance Range)
MA310C-25/1"	0-25mm/0-1"	0.01mm/0.001"	0.04mm/0.0015"
MA310C-50/2"	0-50mm/0-2"	0.01mm/0.001"	0.04mm/0.0015"
MA310-25/1"	0-25mm/0-1"	0.01mm/0.001"	0.04mm/0.0015"
MA310-50/2"	0-50mm/0-2"	0.01mm/0.001"	0.04mm/0.0015"

Water-Proof Digital Scale with inductive measuring system



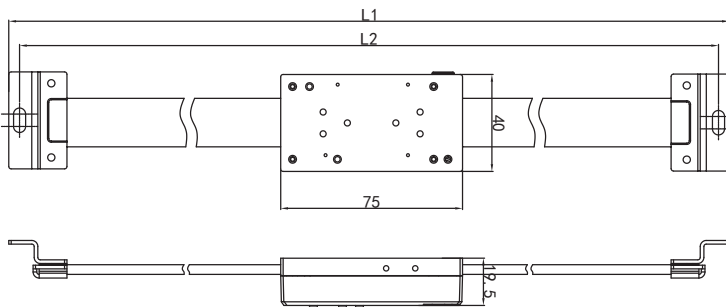
ZDE100
ZDE100W



ZDE110
ZDE110W

- * 电感测量系统
- * IP67防护等级, 确保卡尺在恶劣的环境中也能可靠工作
- * 3V锂电池CR2032, 电池寿命>1年
- * 内置蓝牙无线传输(可选择)

- * Inductive measurement system
- * IP67 protection grade, caliper can work reliably in hard environment
- * 3V lithium battery CR2032, battery life> 1 year
- * Built in bluetooth transmission (optional)



	L1(mm)	L2(mm)
0-100mm	236	227
0-150mm	286	277
0-200mm	326	317
0-300mm	426	417
0-500mm	646	637
0-1000mm	1146	1137

货号 Item	规格 SPEC	分辨率 Resolution	精度(公差带) Accuracy(Tolerance Range)
ZDE100-100/ZDE100W-100	0-100mm/0-4"	0.01mm/0.0005"	0.02mm/0.001"
ZDE100-150/ZDE100W-150	0-150mm/0-6"	0.01mm/0.0005"	0.02mm/0.001"
ZDE100-200/ZDE100W-200	0-200mm/0-8"	0.01mm/0.0005"	0.03mm/0.0015"
ZDE100-300/ZDE100W-300	0-300mm/0-12"	0.01mm/0.0005"	0.03mm/0.0015"
ZDE100-500/ZDE100W-500	0-500mm/0-20"	0.01mm/0.0005"	0.05mm/0.002"
ZDE100-1000/ZDE100W-1000	0-1000mm/0-40"	0.01mm/0.0005"	0.06mm/0.0025"
ZDE110-100/ZDE110W-100	0-100mm/0-4"	0.01mm/0.0005"	0.02mm/0.001"
ZDE110-150/ZDE110W-150	0-150mm/0-6"	0.01mm/0.0005"	0.02mm/0.001"
ZDE110-200/ZDE110W-200	0-200mm/0-8"	0.01mm/0.0005"	0.03mm/0.0015"
ZDE110-300/ZDE110W-300	0-300mm/0-12"	0.01mm/0.0005"	0.03mm/0.0015"
ZDE110-500/ZDE110W-500	0-500mm/0-20"	0.01mm/0.0005"	0.05mm/0.002"
ZDE110-1000/ZDE110W-1000	0-1000mm/0-40"	0.01mm/0.0005"	0.06mm/0.0025"

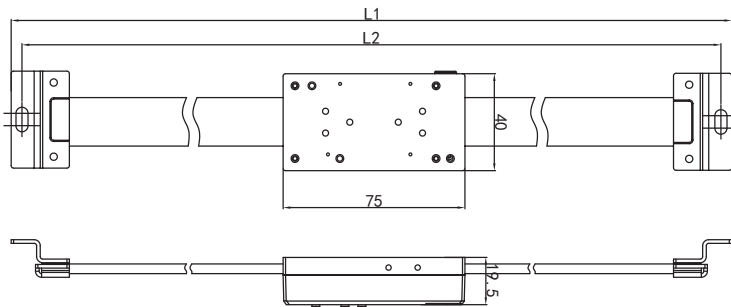
G

Water-Proof Digital Scale with inductive measuring system



- * 电感测量系统
- * IP67防护等级，确保卡尺在恶劣的环境中也能可靠工作
- * 内置外接电源端口

- * Inductive measurement system
- * IP67 protection grade, caliper can work reliably in hard environment
- * Built in power port



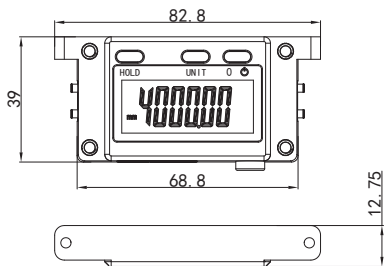
	L1(mm)	L2(mm)
0-100mm	236	227
0-150mm	286	277
0-200mm	326	317
0-300mm	426	417
0-500mm	646	637
0-1000mm	1146	1137

货号 Item	规格 SPEC	分辨率 Resolution	精度(公差带) Accuracy(Tolerance Range)
ZDE110S-150	0-150mm/0-6"	0.01mm/0.0005"	0.02mm/0.001"
ZDE110S-200	0-200mm/0-8"	0.01mm/0.0005"	0.03mm/0.0015"
ZDE110S-300	0-300mm/0-12"	0.01mm/0.0005"	0.03mm/0.0015"
ZDE110S-600	0-600mm/0-24"	0.01mm/0.0005"	0.05mm/0.002"
ZDE110S-1000	0-1000mm/0-40"	0.01mm/0.0005"	0.06mm/0.0025"

Water-Proof Digital Scale with inductive measuring system



ZDE120
ZDE120W



ZDE120T

- * 电感测量系统
- * IP67防护等级，确保卡尺在恶劣的环境中也能可靠工作
- * 3V锂电池CR2032，电池寿命>1年
- * 蓝牙数据输出(可选择)
- * 超大量程，柔性标尺(定栅)，满足各种安装尺寸要求

- * Inductive measurement system
- * IP67 protection grade, caliper can work reliably in hard environment
- * 3V Lithium battery CR2032, battery life > 1 year
- * Built in power port
- * Bluetooth data output (optional)
- * Super measuring range with flexible sensor scale can meet all kinds of application

货号 Item	规格 SPEC	分辨率 Resolution	精度(公差带) Accuracy(Tolerance Range)
ZDE120-1000/ZDE120W-1000	0-1000mm/0-40"	0.01mm/0.0005"	0.08mm/0.003"
ZDE120-2000/ZDE120W-2000	0-2000mm/0-80"	0.01mm/0.0005"	0.12mm/0.0047"
ZDE120-4000/ZDE120W-4000	0-4000mm/0-160"	0.01mm/0.0005"	0.2mm/0.0078"

G



ZDE120S



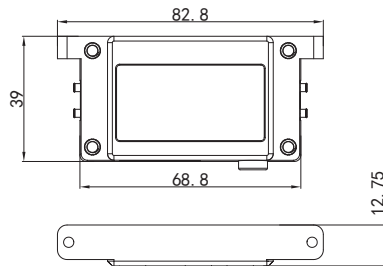
ZDE120T

- * 电感测量系统
- * IP67防护等级，确保卡尺在恶劣的环境中也能可靠工作
- * 内置外接电源接口
- * 超大量程，柔性标尺(定栅)，满足各种安装尺寸要求

- * Inductive measurement system
- * IP67 protection grade, caliper can work reliably in hard environment
- * Built in power port
- * Super measuring range with flexible sensor scale can meet all kinds of application



ZDA250-H



货号 Item	规格 SPEC	分辨率 Resolution	精度(公差带) Accuracy(Tolerance Range)
ZDE120S-1000	0-1000mm/0-40"	0.01mm/0.0005"	0.08mm/0.003"
ZDE120S-2000	0-2000mm/0-80"	0.01mm/0.0005"	0.12mm/0.0047"
ZDE120S-4000	0-4000mm/0-160"	0.01mm/0.0005"	0.2mm/0.0078"

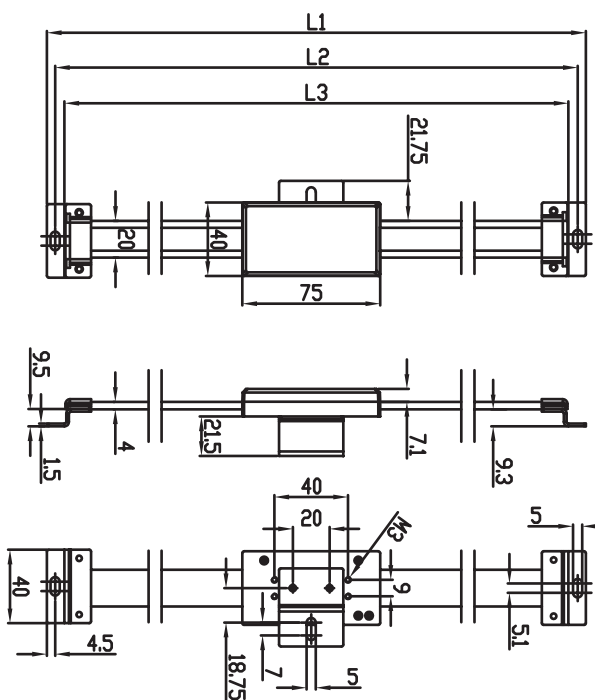
Digital Scale with Absolute Capacitive system



用于各种工业机床配套使用及旧机床升级
Extensively adopted in improvement of machine out of date.

- * 绝对式容栅测量系统
- * 玻璃定栅
- * IP54防护等级
- * 内置外接电源接口

- * Absolute capacitive measurement system
- * Glass scale
- * IP54 Protection grade
- * Built in external power port



	L1(mm)	L2(mm)	L3(mm)
0-150mm	301	292	282
0-200mm	351	342	332
0-300mm	451	442	432
0-600mm	746	737	727
0-1000mm	1126	1117	1107

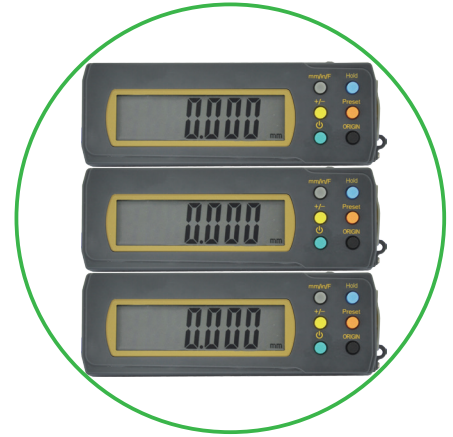
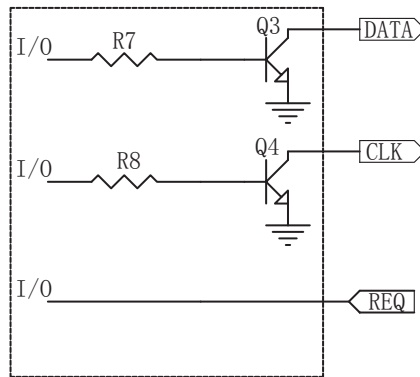
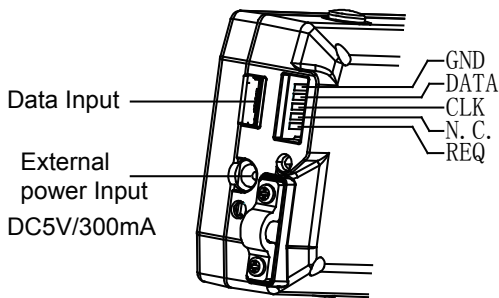
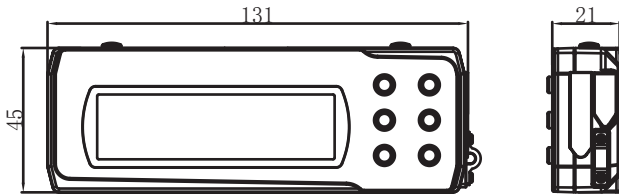
货号 Item	规格 SPEC	分辨率 Resolution	精度(公差带) Accuracy(Tolerance Range)
ZDA250S-150	0-150mm/0-6"	0.01mm/0.0005"	0.02mm/0.001"
ZDA250S-200	0-200mm/0-8"	0.01mm/0.0005"	0.03mm/0.0015"
ZDA250S-300	0-300mm/0-12"	0.01mm/0.0005"	0.03mm/0.0015"
ZDA250S-600	0-600mm/0-24"	0.01mm/0.0005"	0.05mm/0.002"
ZDA250S-1000	0-1000mm/0-40"	0.01mm/0.0005"	0.06mm/0.0025"



ZDA250-H

- * 超大屏幕显示，易于读数
- * 内置两颗3V锂电池，也可使用外接电源供电
- * 可读取数显量具的屏幕读数，不间断更新
- * 可实现多种功能(如：PRESET, HOLD, +/-切换等)
- * 可拓展的信号输出口

- * Easy read large LCD display
- * Bulit in 2pcs of 3V lithium battery, can use external power
- * Can continuously read display data of measuring tools and update continuously
- * With more functions(such as:PRESET,HOLD,+/-)
- * With expandable signal output

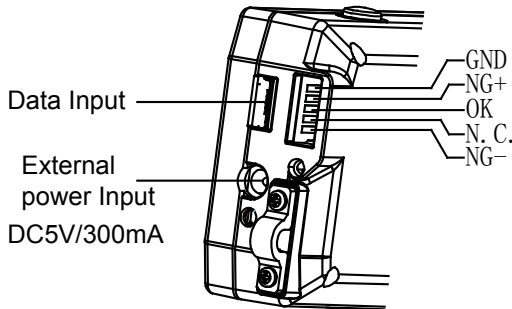


G

Digital Scale with Absolute Capacitive system

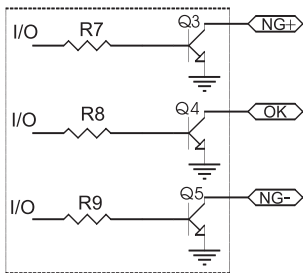


ZDA250-T



- * 超大屏幕显示, 易于读数
- * 内置两颗3V锂电池, 也可使用外接电源供电
- * 可读取数显量具的屏幕读数, 不间断更新
- * 公差设定及提示功能, 判定被测件是否符合要求(公差要求)
- * 可拓展的控制输出信号端口, 实现在线合格品与不合格品的自动分拣

- * Easy read super large LCD display
- * Built in 2pcs of 3V lithium battery, can use external power
- * Can continuously read display data of measuring tools and update continuously
- * Tolerance setting and indicating function can define the part Good or NG
- * You can sort the good and NG parts by the expandable data output port

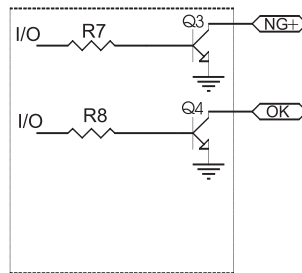


(一) .TOL -01模式(三种状态):

- 1.采集电平时NG+\OK\NG-脚位需接100K~200K上拉电阻;
- 2.当工件测量值高于公差上限时, NG+脚位输出低电平, NG-和OK脚位输出高电平;
- 3.当工件测量值低于公差下限时, NG-脚位输出低电平, NG+和OK脚位则输出高电平;
- 4.当工件测量值在公差范围以内时, OK脚位输出低电平, NG-和NG+脚位则输出高电平;

TOL-01 mode:

1. Connect NG+/OK/NG- to 100k-200k resistant to collect.
2. When higher than upper limited, NG+ output low volt, NG- and OK output high volt
3. When lower than lower limit, NG- output lower volt, NG+ and OK output high volt
4. When within the limits, OK output lower volt, NG- and NG+ output high volt

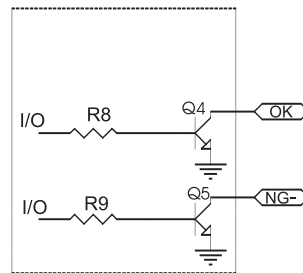


(二) .TOL -02模式(两种状态):

- 1.采集电平时NG+\OK\NG-脚位需接100K~200K上拉电阻;
- 2.此模式下, NG-始终输出高电平, 可以忽略不采集;
- 3.当工件测量值高于公差上限时, NG+脚位输出低电平, OK脚位则输出高电平;
- 4.当工件测量值在公差范围以内以及低于公差下限时, OK脚位输出低电平, NG+脚位则输出高电平;

TOL-02 mode:

1. Connect NG+/OK/NG- to 100k-200k resistant to collect.
2. In this mode, NG- always output high volt, to ignore
3. When high than high limit, NG+ output lower volt, OK output high volt
4. When within the limits or below the lower volt, OK output lower volt, NG+ output high volt



(三) .TOL -03模式(两种状态):

- 1.采集电平时NG+\OK\NG-脚位需接100K~200K上拉电阻;
- 2.此模式下, NG+始终输出高电平, 可以忽略不采集;
- 3.当工件测量值低于公差下限时, NG-脚位输出低电平, OK脚位则输出高电平;
- 4.当工件测量值在公差范围以内以及高于公差上限时, OK脚位输出低电平, NG-脚位则输出高电平。

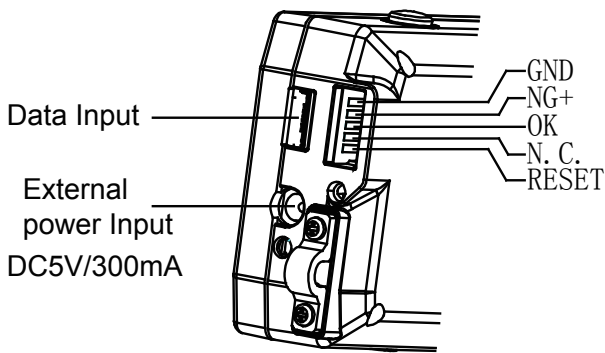
TOL-03 mode:

1. Connect NG+/OK/NG- to 100k-200k resistant to collect.
2. In this mode, NG+ always output high volt, to ignore
3. When lower than lower limit, NG- output lower volt, OK output high volt
4. When within the limits or below the high volt, OK output lower volt, NG- output high volt

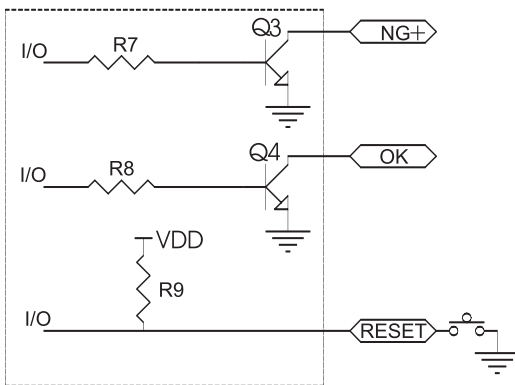


ZDA250-Z

- * 超大屏幕显示，易于读数
- * 内置两颗3V锂电池，也可使用外接电源供电
- * 可读取数显量具的屏幕读数，不间断更新
- * 独特的公差带警示功能，可判定被测件是否符合要求
- * 可拓展的控制输出信号端口，实现在线合格品与不合格品的自动分拣



- * Easy read super large LCD display
- * Built in 2pcs of 3V lithium battery, can use external power
- * Can continuously read display data of measuring tools and update continuously
- * Tol setting and indicating function can define the parts Good or NG
- * You can sort the good and NG parts by the expandable data output port



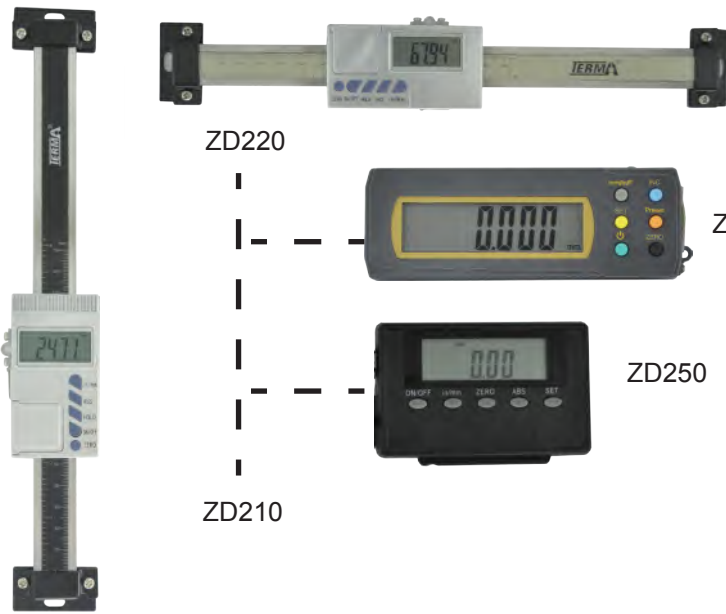
- 1.采集电平时NG+\OK脚位需接100K~200K上拉电阻;
- 2.当工件测量到的最大值、最小值或公差带没有超出设定的容许限定值时NG+脚位输出高电平，OK脚位输出低电平，超出设定的容许限定值时，则NG+脚位输出低电平，OK脚位输出高电平;
- 3.RESET复位脚：默认为高电平，接地超过200ms会将公差带\最大值、最小值复位，可外接对地触发开关或是通过输入低电平来实现复位。

TOL-01 mode:

1. Connect NG+/OK/NG- to 100k-200k resistant to collect.
2. When the maximum value, minimum value or tolerance band measured by the workpiece does not exceed the set allowable limit, NG+ pin output high volt, OK pin output lower volt, and beyond the set allowable limit, NG+ pin output low volt, and OK pin output high volt
3. RESET pin: high volt as default connecting ground more than 200ms tolerance range maximum, minimum will be reset through connecting trig switch or input low volt to reset

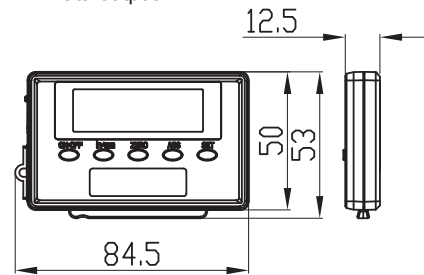
G

Digital Scale



- * 相对式容栅测量系统
- * 玻璃定栅
- * IP54防护等级
- * 3V锂电池CR2032, 电池寿命>1年
- * 数据输出

- * Incremental capacitive measurement system
- * Glass scale
- * IP54 Protection grade
- * 3V Lithium battery CR2032, battery life > 1 year
- * Data output



货号 Item	规格 SPEC	分辨率 Resolution	精度(公差带) Accuracy(Tolerance Range)
ZD210/ZD220-100	0-100mm/0-4"	0.01mm/0.0005"	0.02mm/0.001"
ZD210/ZD220-150	0-150mm/0-6"	0.01mm/0.0005"	0.02mm/0.001"
ZD210/ZD220-200	0-200mm/0-8"	0.01mm/0.0005"	0.03mm/0.0015"
ZD210/ZD220-300	0-300mm/0-12"	0.01mm/0.0005"	0.03mm/0.0015"
ZD210/ZD220-500	0-500mm/0-20"	0.01mm/0.0005"	0.05mm/0.002"
ZD210/ZD220-1000	0-1000mm/0-40"	0.01mm/0.0005"	0.06mm/0.003"



ZD250A(铝) Aluminium beam
ZD250S(钢) Steel beam

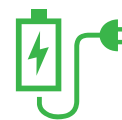


用于各种工业机床配套使用及旧机床升级
It is used for matching various industrial machinery and upgrading old machine tools.

ZD250

货号 Item	规格 SPEC	分辨率 Resolution	精度(公差带) Accuracy(Tolerance Range)
ZD250A-150	0-150mm/0-6"	0.01mm/0.0005"	0.06mm/0.0025"
ZD250A-200	0-200mm/0-8"	0.01mm/0.0005"	0.08mm/0.0035"
ZD250A-300	0-300mm/0-12"	0.01mm/0.0005"	0.10mm/0.004"
ZD250A-600	0-600mm/0-24"	0.01mm/0.0005"	0.15mm/0.006"
ZD250A-1000	0-1000mm/0-40"	0.01mm/0.0005"	0.20mm/0.008"
ZD250S-150	0-150mm/0-6"	0.01mm/0.0005"	0.02mm/0.001"
ZD250S-200	0-200mm/0-8"	0.01mm/0.0005"	0.03mm/0.0015"
ZD250S-300	0-300mm/0-12"	0.01mm/0.0005"	0.03mm/0.0015"
ZD250S-600	0-600mm/0-24"	0.01mm/0.0005"	0.05mm/0.002"
ZD250S-1000	0-1000mm/0-40"	0.01mm/0.0005"	0.06mm/0.0025"

IP65 Water-Proof Digital Thickness Gage with inductive measuring system

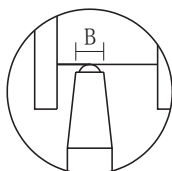


TDE130AS
TDE130ASW

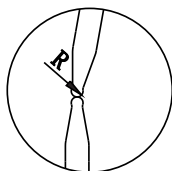
TDE130AC
TDE130ACW

- * 电感测量系统
- * IP65防护等级
- * 内置可充电锂电池
- * 磁吸式充电
- * 内置无线传输 (可选择)
- * 可设置公差, 并进行GO/NG判断
- * 示值锁定 (内置无线传输机型不具备此功能)
- * 含预设功能
- * 硬质合金测头

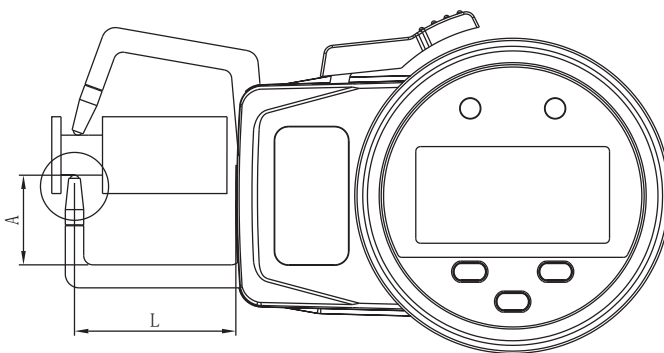
- * Inductive measurement system
- * IP65 Protection grade
- * Built in rechargeable lithium battery
- * Magnelic Charging Port
- * Built in bluetooth transmission (optional)
- * Tolerance preset and GO/NG judgement
- * Display value lock (without this function in built-in wireless transmission models)
- * With preset function
- * Carbide measuring anvil



AS球头(Ball)

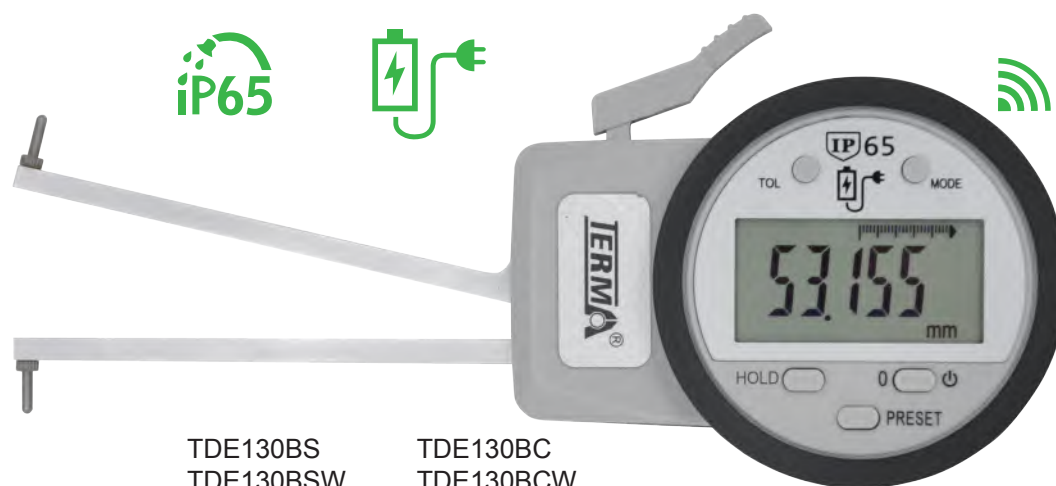


AC柱头(Cylinder)



货号 Item	规格 SPEC	分辨率 Resolution	精度 Accuracy	A	B/R	L
TDE130AS/TDE130ASW-10	0-10mm/0-0.4"	0.002mm/0.0001"	±0.01mm/±0.0005"	19.1	φ2	35
TDE130AS/TDE130ASW-20	0-20mm/0-0.8"	0.005mm/0.0002"	±0.02mm/±0.0008"	24.7	φ2	85
TDE130AS/TDE130ASW-30	0-30mm/0-1.2"	0.010mm/0.0005"	±0.03mm/±0.0012"	30	φ2	116
TDE130AS/TDE130ASW-50	0-50mm/0-2"	0.010mm/0.0005"	±0.04mm/±0.0016"	30	φ2	167
TDE130AS/TDE130ASW-100	0-100mm/0-4"	0.010mm/0.0005"	±0.07mm/±0.003"	35	φ2	382
TDE130AC/TDE130ACW-10	0-10mm/0-0.4"	0.002mm/0.0001"	±0.01mm/±0.0005"	19.1	1	35
TDE130AC/TDE130ACW-20	0-20mm/0-0.8"	0.005mm/0.0002"	±0.02mm/±0.0008"	24.7	1	85
TDE130AC/TDE130ACW-30	0-30mm/0-1.2"	0.010mm/0.0005"	±0.03mm/±0.0012"	30	1	116
TDE130AC/TDE130ACW-50	0-50mm/0-2"	0.010mm/0.0005"	±0.04mm/±0.0016"	30	1	167
TDE130AC/TDE130ACW-100	0-100mm/0-4"	0.010mm/0.0005"	±0.07mm/±0.003"	35	1	382

IP65 Water-Proof Digital Thickness Gage with inductive measuring system

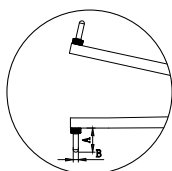


TDE130BS
TDE130BSW

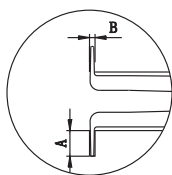
TDE130BC
TDE130BCW

- * 电感测量系统
- * IP65防护等级
- * 内置可充电锂电池
- * 磁吸式充电
- * 内置无线传输 (可选择)
- * 可设置公差, 并进行GO/NG判断
- * 示值锁定 (内置无线传输机型不具备此功能)
- * 含预设功能

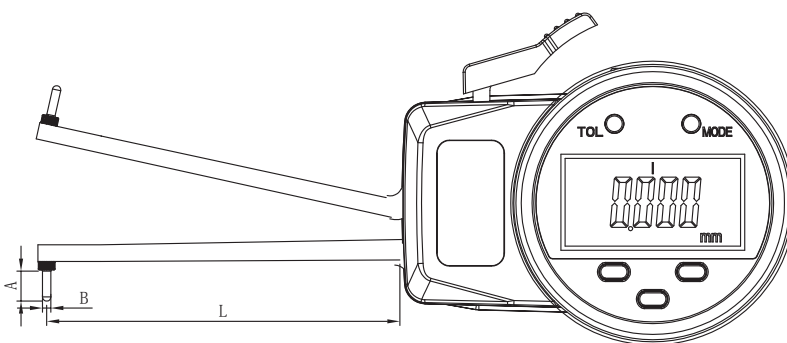
- * Inductive measurement system
- * IP65 Protection grade
- * Built in rechargeable lithium battery
- * Magnelic Charging Port
- * Built in bluetooth transmission (optional)
- * Tolerance preset and GO/NG judgement
- * Display value lock (without this function in built-in wireless transmission models)
- * With preset function



BS球头(Ball)



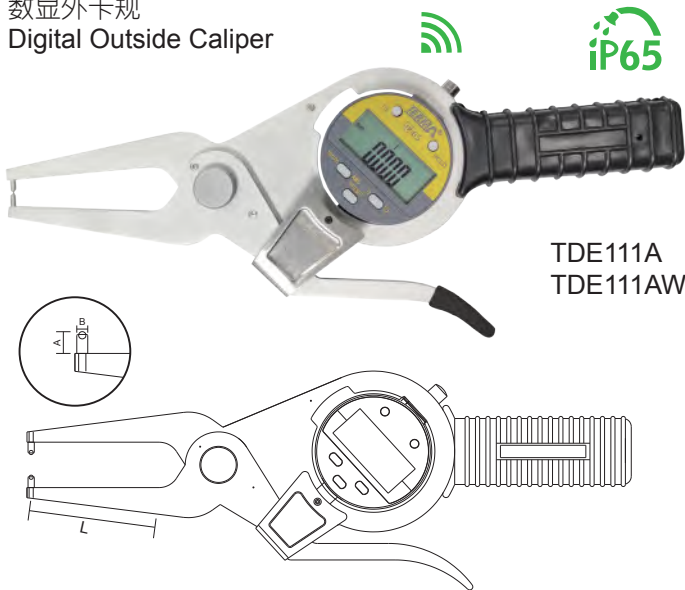
BC柱头(Cylinder)



货号 Item	规格 SPEC	分辨率 Resolution	精度 Accuracy	A	B	L
TDE130BS/TDE130BSW-15	5-15mm/0.2-0.6"	0.002mm/0.0001"	±0.015mm/±0.0006"	2.3	0.8	35
TDE130BS/TDE130BSW-30	10-30mm/0.4-1.2"	0.005mm/0.0002"	±0.025mm/±0.001"	5.2	1.2	85
TDE130BS/TDE130BSW-50	30-50mm/1.2-2"	0.005mm/0.0002"	±0.025mm/±0.001"	7.2	2	85
TDE130BS/TDE130BSW-100	50-100mm/2-4"	0.010mm/0.0005"	±0.050mm/±0.002"	11.7	2	236
TDE130BS/TDE130BSW-150	100-150mm/4-6"	0.010mm/0.0005"	±0.050mm/±0.002"	11.7	2	236
TDE130BS/TDE130BSW-200	150-200mm/6-8"	0.010mm/0.0005"	±0.050mm/±0.002"	11.7	2	236
TDE130BC/TDE130BCW-15	5-15mm/0.2-0.6"	0.002mm/0.0001"	±0.015mm/±0.0006"	2.3	0.8	35
TDE130BC/TDE130BCW-30	10-30mm/0.4-1.2"	0.005mm/0.0002"	±0.025mm/±0.001"	5.2	1.2	85
TDE130BC/TDE130BCW-50	30-50mm/1.2-2"	0.005mm/0.0002"	±0.025mm/±0.001"	7	1.2	85
TDE130BC/TDE130BCW-100	50-100mm/2-4"	0.010mm/0.0005"	±0.050mm/±0.002"	8.3	2.4	236
TDE130BC/TDE130BCW-150	100-150mm/4-6"	0.010mm/0.0005"	±0.050mm/±0.002"	8.3	2.4	236
TDE130BC/TDE130BCW-200	150-200mm/6-8"	0.010mm/0.0005"	±0.050mm/±0.002"	8.3	2.4	236

IP65 Water-Proof Digital Thickness Gage with inductive measuring system

数显外卡规
Digital Outside Caliper



TDE 111A
TDE 111AW

- * 电感测量系统
- * IP65防护等级
- * 3V锂电池CR2032, 电池寿命>1年
- * 带SPC数据输出 (内置无线传输机型, SPC输出端口仅作为外部电源供电输入端口)
- * 内置无线传输 (可选择)
- * 可设置公差, 并进行GO/NG判断
- * 示值锁定 (内置无线传输机型不具备此功能)
- * 模拟指针
- * 含预设功能
- * 硬质合金测头

- * Inductive measurement system
- * IP65 Protection grade
- * 3V Lithium battery CR2032, battery life > 1 year
- * SPC data output (To built in wireless transmission model, the SPC output port is only used as external power input port)
- * Built in bluetooth transmission (optional)
- * Tolerance preset and GO/NG judgement
- * Display value lock (without this function in built-in wireless transmission models)
- * Analog pointer display
- * With preset function
- * Carbide measuring anvil

货号 Item	规格 SPEC	分辨率 Resolution	精度 Accuracy	A	B	L
TDE 111A/TDE 111AW-20	0-20mm/0-0.8"	0.001mm/0.00005"	±0.02mm/±0.001"	6	Φ3	60
TDE 111A/TDE 111AW-40	20-40mm/0.8-1.6"	0.001mm/0.00005"	±0.02mm/±0.001"	6	Φ3	60
TDE 111A/TDE 111AW-60	40-60mm/1.6-2.4"	0.001mm/0.00005"	±0.02mm/±0.001"	6	Φ3	55
TDE 111A/TDE 111AW-80	60-80mm/2.4-3.2"	0.001mm/0.00005"	±0.02mm/±0.001"	6	Φ3	55
TDE 111A/TDE 111AW-100	80-100mm/3.2-4.0"	0.001mm/0.00005"	±0.02mm/±0.001"	6	Φ3	55

数显内卡规
Digital Inside Caliper



TDE 111B
TDE 111BW

- * 电感测量系统
- * IP65防护等级
- * 3V锂电池CR2032, 电池寿命>1年
- * 带SPC数据输出 (内置无线传输机型, SPC输出端口仅作为外部电源供电输入端口)
- * 内置无线传输 (可选择)
- * 可设置公差, 并进行GO/NG判断
- * 示值锁定 (内置无线传输机型不具备此功能)
- * 模拟指针
- * 含预设功能
- * 硬质合金测头

- * Inductive measurement system
- * IP65 Protection grade
- * 3V Lithium battery CR2032, battery life > 1 year
- * SPC data output (To built in wireless transmission model, the SPC output port is only used as external power input port)
- * Built in bluetooth transmission (optional)
- * Tolerance preset and GO/NG judgement
- * Display value lock (without this function in built-in wireless transmission models)
- * Analog pointer display
- * With preset function
- * Carbide measuring anvil

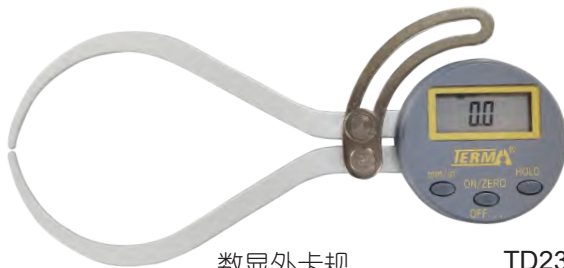
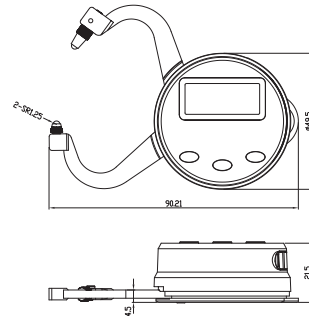
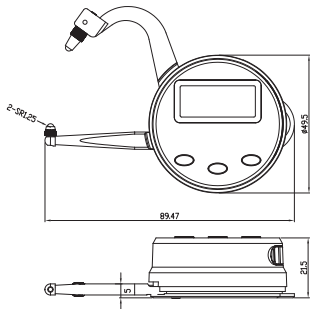
货号 Item	规格 SPEC	分辨率 Resolution	精度 Accuracy	A	B	L
TDE 111B/TDE 111BW-35	15-35mm/0.6-1.4"	0.001mm/0.00005"	±0.02mm/±0.001"	3	Φ3	50
TDE 111B/TDE 111BW-55	35-55mm/1.4-2.2"	0.001mm/0.00005"	±0.02mm/±0.001"	6	Φ3	80
TDE 111B/TDE 111BW-75	55-75mm/2.2-3.0"	0.001mm/0.00005"	±0.02mm/±0.001"	8	Φ3	90
TDE 111B/TDE 111BW-95	75-95mm/3-3.8"	0.001mm/0.00005"	±0.02mm/±0.001"	8	Φ3	100
TDE 111B/TDE 111BW-115	95-115mm/3.8-4.6"	0.001mm/0.00005"	±0.02mm/±0.001"	10	Φ3.2	120
TDE 111B/TDE 111BW-135	115-135mm/4.6-5.4"	0.001mm/0.00005"	±0.02mm/±0.001"	10	Φ3.2	120



TD230A

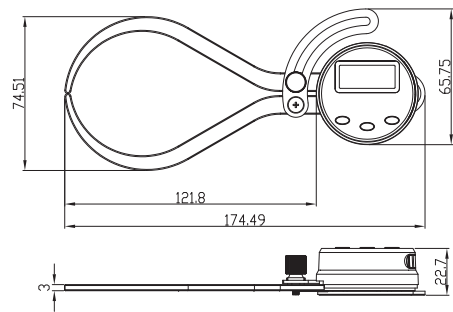


TD230D



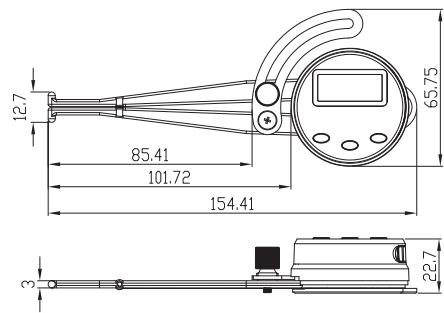
数显外卡规
Digital Outside Caliper

TD230B



数显内卡规
Digital Inside Caliper

TD230C



- * 相对式容栅测量系统
- * 3V锂电池CR2032, 电池寿命>1年
- * 适用于测量各类板材厚度、内径

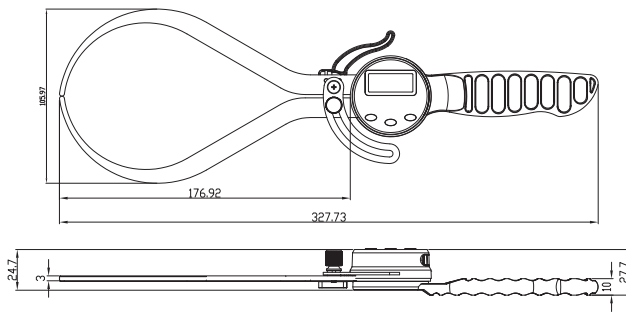
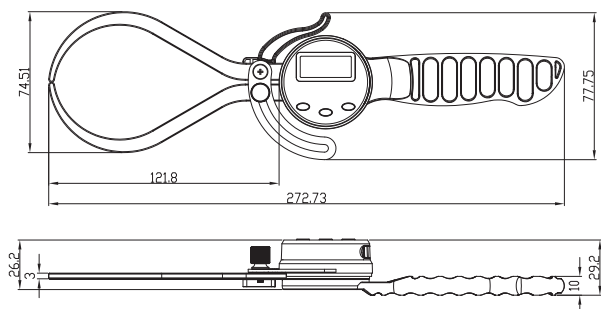
- * Incremental capacitive measurement system
- * 3V lithium battery CR2032, battery life > 1 year
- * Adapt to measure the thickness and inside demension

货号 Item	规格 SPEC	分辨率 Resolution	精度(公差带) Accuracy(Tolerance Range)
TD230A-25	0-25mm/0-1"	0.01mm/0.001"	0.05mm/0.002"
TD230D-25	0-25mm/0-1"	0.01mm/0.001"	0.05mm/0.002"
TD230B-6	0-150mm/0-6"	0.1mm/0.01"	0.2mm/0.01"
TD230C-6	12.7-165mm/0.5-6.5"	0.1mm/0.01"	0.2mm/0.01"



带手柄数显外卡规
Digital Outside Thickness Gage with Handle

TD230E

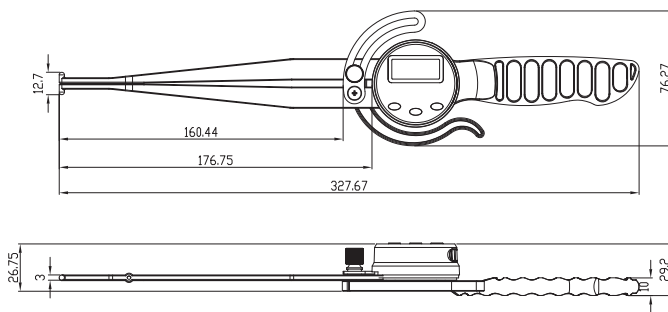
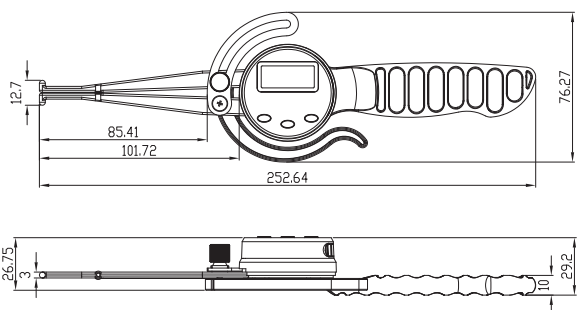


带手柄数显内卡规
Digital Inside Thickness Gage with Handle

TD230F

- * 相对式容栅测量系统
- * 3V锂电池CR2032, 电池寿命>1年
- * 适用于测量各类板材厚度、内径

- * Incremental capacitive measurement system
- * 3V lithium battery CR2032, battery life > 1 year
- * Adapt to measure the thickness and inside dimension

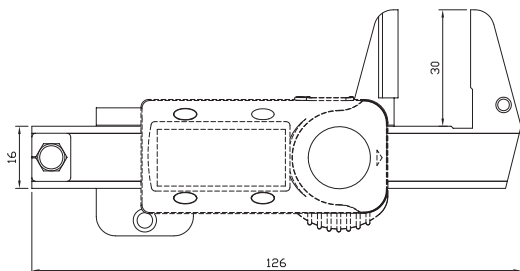


货号 Item	规格 SPEC	分辨率 Resolution	精度(公差带) Accuracy(Tolerance Range)
TD230E-6	0-150mm/0-6"	0.1mm/0.01"	0.2mm/0.01"
TD230E-8	0-200mm/0-8"	0.1mm/0.01"	0.3mm/0.02"
TD230F-6	12.7-165mm/0.5-6.5"	0.1mm/0.01"	0.2mm/0.01"
TD230F-8	12.7-216mm/0.5-8.5"	0.1mm/0.01"	0.3mm/0.02"

Digital Thickness Gage



SN730



- * 相对式容栅测量系统
- * 玻璃定栅
- * IP54防护等级
- * 3V锂电池CR2032, 电池寿命>1年
- * 数据输出
- * 弹簧自动复位
- * 宽大平整的外爪方便测量
- * 可用带子或链子将其悬挂

- * Incremental capacitive measurement system
- * Glass scale
- * IP54 Protection grade
- * 3V lithium battery CR2032, battery life > 1 year
- * Data output
- * Spring-loaded travel
- * Flat jaw with wide face for easy position
- * Hanging loop included for attachment to belt or chain

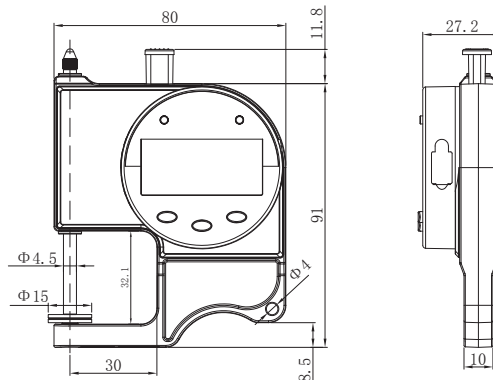
货号 Item	规格 SPEC	分辨率 Resolution	精度(公差带) Accuracy(Tolerance Range)
SN730-25	0-25mm/0-1"	0.01mm/0.0005"	0.03mm/0.0015"



TD270

- * 相对式容栅测量系统
- * 3V锂电池CR2032, 电池寿命>1年
- * 数据输出
- * 高强度工程塑料尺架
- * 测头可换, 平测头、球测头, 测量范围广
- * 深度30mm

- * Incremental capacitive measurement system
- * 3V Lithium battery CR2032, battery life > 1 year
- * Data output
- * High strength engineering plastics frame
- * Measuring head interchangeable(flat or ball), wide measuring range
- * Depth 30mm



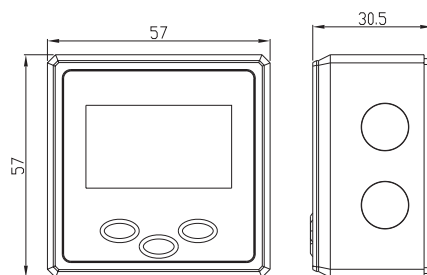
货号 Item	规格 SPEC	分辨率 Resolution	精度(公差带) Accuracy(Tolerance Range)
TD270-25	0-25mm/0-1"	0.01mm/0.0005"	0.05mm/0.002"



LD250

- * 以水平面为基准的绝对零点测量
- * 相对零点测量
- * 测量面带永久磁片

- * Level measuring function
- * Relative angle measuring
- * Magnet at measuring faces



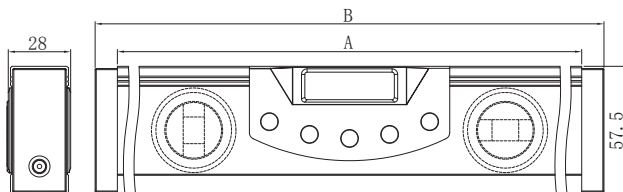
货号 Item	规格 SPEC	分辨率 Resolution	精度 Accuracy
LD250	4*90°	0.05°	±0.2°



LD260

- * LCD示值锁定功能
- * 以水平面为基准的绝对零点测量
- * 相对零点测量
- * 斜率与角度转换功能
- * 特殊角报警与激光选择
- * 底面带磁

- * LCD display hold function
- * Level measuring function
- * Relative angle measuring
- * Slope and angle conversion
- * Even angle warning and laser optional
- * Magnet on measuring face



	A(mm)	B(mm)
150mm	152.4	172.4
200mm	228.6	248.6
600mm	304.8	324.8

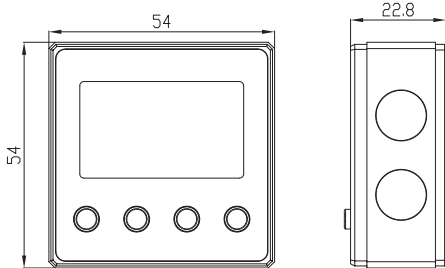
货号 Item	规格 SPEC	测量范围 Range	分辨率 Resolution	精度 Accuracy
LD260-6	150mm/6"	4X90°	0.05°	±0.2°
LD260-9	225mm/9"	4X90°	0.05°	±0.2°
LD260-24	600mm/24"	4X90°	0.05°	±0.2°



LD280
LD280W

- * 以水平面为基准的绝对零点测量
- * 相对零点测量
- * 测量面带永久磁片
- * 带充电功能
- * 带蓝牙功能(可选)

- * Level measuring function
- * Relative angle measuring
- * Magnet at measuring faces
- * With charging function
- * With bluetooth function(optional)

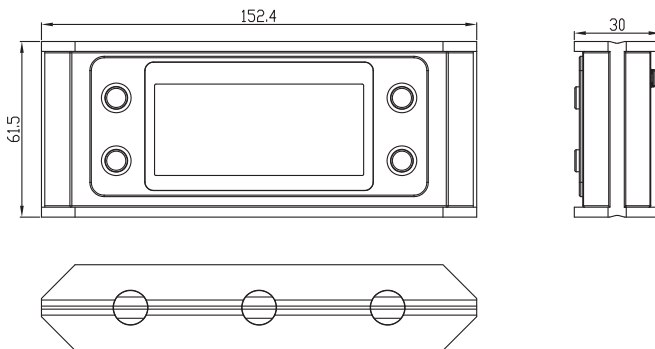


货号 Item	规格 SPEC	分辨率 Resolution	精度 Accuracy
LD280/LD280W	4*90°	0.05°	±0.2°



LD290
LD290W

- * 以水平面为基准的绝对零点测量
- * 相对零点测量
- * 测量面带永久磁片
- * 带充电功能
- * 带蓝牙功能(可选)



- * Level measuring function
- * Relative angle measuring
- * Magnet at measuring faces
- * With charging function
- * With bluetooth function(optional)

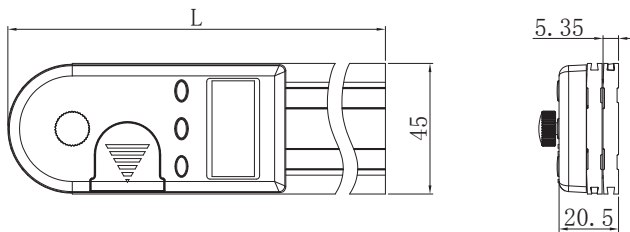
货号 Item	规格 SPEC	分辨率 Resolution	精度 Accuracy
LD290/LD290W-6	4*90°	0.05°	±0.2°



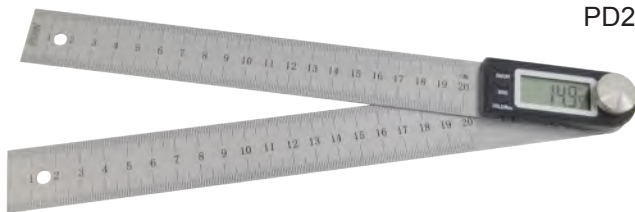
PD230

- * 相对式容栅测量系统
- * 任意位置置零
- * 测量范围0-360°
- * 紧固螺钉可靠定位测量角度
- * LCD示值可翻转阅读
- * 铝合金阳极化尺身, 尺杆测面带永久磁条

- * Incremental capacitive measurement system
- * ZERO set at any position
- * Measuring range 0-360°
- * Lock screw locks the measuring angle securely in any position
- * Reverse reading for all of condition
- * Anodized aluminum alloy ruler body, Ruler measuring surface with permanent magnetic stripe



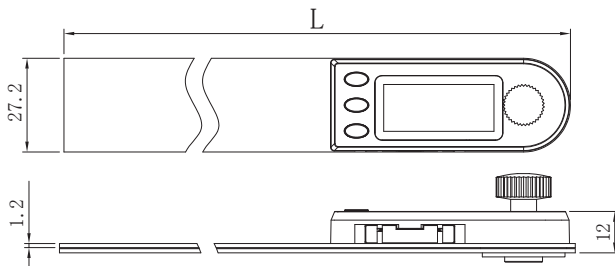
货号 Item	规格 SPEC	分辨率 Resolution	精度 Accuracy	L(mm)
PD230-100	100mm/4"	0.05°	±0.3°	103
PD230-200	200mm/8"	0.05°	±0.3°	205
PD230-300	300mm/12"	0.05°	±0.3°	306



PD290

- * 相对式容栅测量系统
- * 任意位置置零
- * 测量范围0-360°
- * 紧固螺钉可靠定位测量角度
- * LCD示值可翻转阅读
- * 不锈钢尺身, 精美激光刻字

- * Incremental capacitive measurement system
- * ZERO set at any position
- * Measuring range 0-360°
- * Lock screw locks the measuring angle securely in any position
- * Reverse reading for all of condition
- * Stainless steel beam, exquisite laser engraving



货号 Item	规格 SPEC	分辨率 Resolution	精度 Accuracy	L(mm)
PD290-100	100mm/4"	0.05°	±0.3°	178
PD290-200	200mm/8"	0.05°	±0.3°	277
PD290-300	300mm/12"	0.05°	±0.3°	380

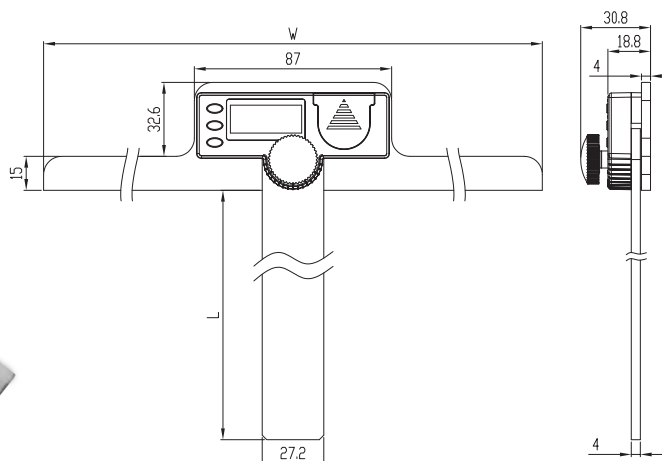
Digital Protractor



PD270-D

- * 相对式容栅测量系统
- * 任意位置置零
- * 测量范围0-180°
- * 紧固螺钉可靠定位测量角度
- * LCD示值可翻转阅读
- * 不锈钢尺身

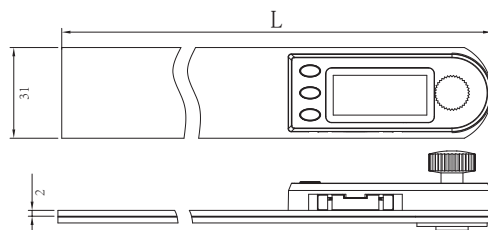
- * Incremental capacitive measurement system
- * ZERO set at any position
- * Measuring range 0-180°
- * Lock screw locks the measuring angle securely in any position
- * Reverse reading for all of condition
- * Stainless steel beam



货号 Item	W(mm)	L(mm)	分辨率 Resolution	精度 Accuracy
PD270-D-150	127	152.4	0.05°	±0.3°
PD270-D-200	152.4	203.2	0.05°	±0.3°
PD270-D-300	203.2	304.8	0.05°	±0.3°
PD270-D-600	304.8	609.6	0.05°	±0.3°
PD270-D-800	406.4	812.8	0.05°	±0.3°
PD270-D-1000	406.4	1016	0.05°	±0.3°



塑料数显角度尺
Plastic Digital Protractor PD290-PC



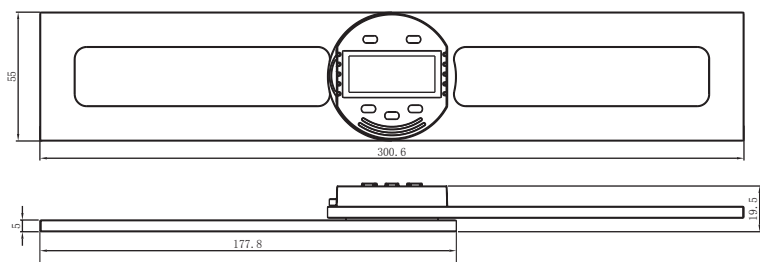
货号 Item	规格 SPEC	分辨率 Resolution	精度 Accuracy	L(mm)
PD290-PC-200	200mm/8"	0.05°	±0.5°	279.4



PD212B

- * 相对式容栅测量系统
- * 任意位置置零
- * 测量范围0-2x180°
- * 示值锁定，补角显示
- * 2种模式切割计算
- * 铝合金阳极化尺身，精美激光刻字
- * 分辨率：0.05°
- * 精度：±0.3°

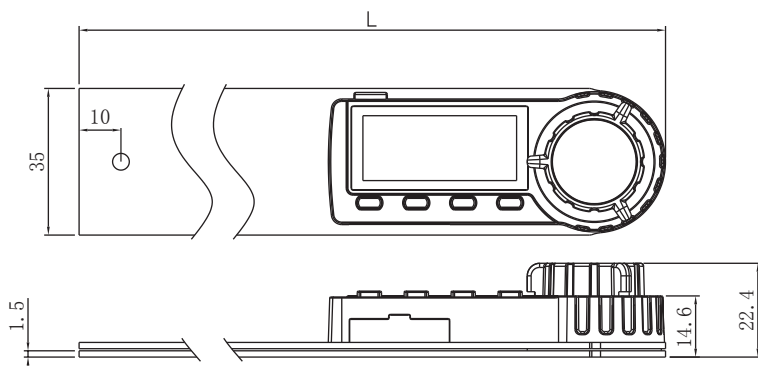
- * Incremental capacitive measurement system
- * ZERO set at any position
- * Measuring range 0-2x180°
- * Display value lock, Complementary angle display
- * Two modes cutting calculation
- * Anodized aluminum alloy ruler body, exquisite laser engraving
- * Resolution: 0.05°
- * Accuracy: ±0.3°



PD213

- * 相对式容栅测量系统
- * 任意位置置零
- * 测量范围0-360°
- * 紧固螺钉可靠定位测量角度
- * LCD示值可翻转阅读
- * 铝合金阳极化尺身，精美激光刻字

- * Incremental capacitive measurement system
- * ZERO set at any position
- * Measuring range 0-360°
- * Lock screw locks the measuring angle securely in any position
- * Reverse reading for all of condition
- * Anodized aluminum alloy ruler body, exquisite laser engraving



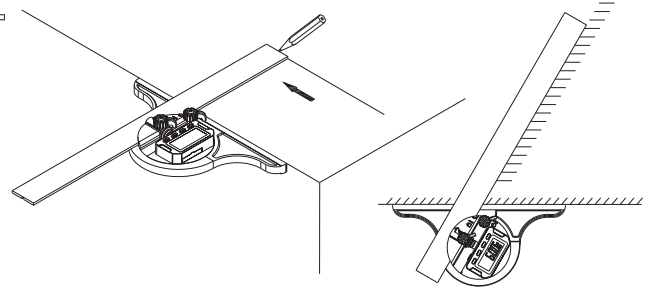
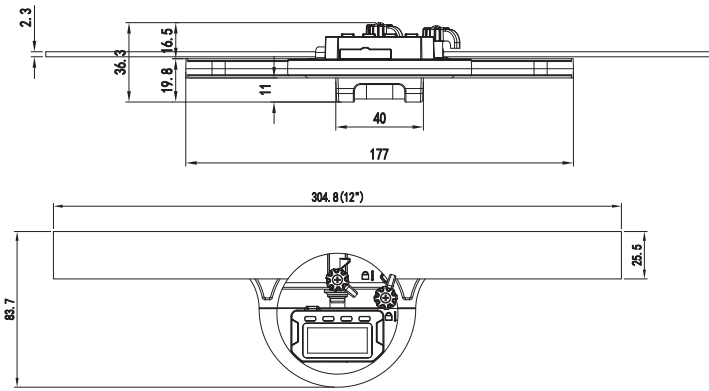
货号 Item	规格 SPEC	分辨率 Resolution	精度 Accuracy	L(mm)
PD213-125	125mm/5"	0.05°	±0.3°	166.2
PD213-175	175mm/7"	0.05°	±0.3°	217
PD213-254	254mm/10"	0.05°	±0.3°	293.2



PD211

- * 相对式容栅测量系统
- * 任意位置置零
- * 3V锂电池CR2032, 电池寿命>1年
- * 测量范围0-360°
- * LCD示值可锁定、翻转
- * 不锈钢尺杆, 表面镀铬, 激光刻字
- * 分辨率: 0.05°
- * 可用于角度、宽度、深度测量, 水平, 垂直, 划线等
- * 精度: 0.3°

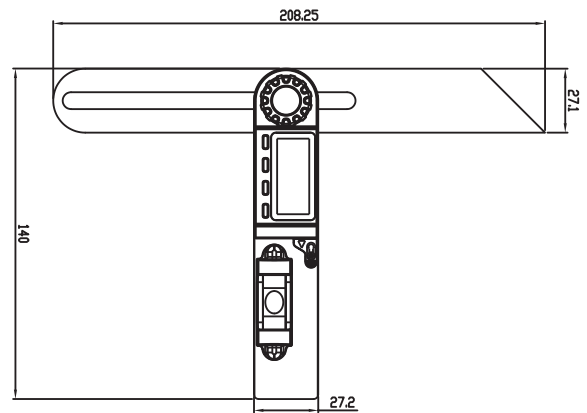
- * Incremental capacitive measurement system
- * ZERO set at any position
- * 3V Lithium battery CR2032, battery life > 1 year
- * Measuring range 0-360°
- * The data on the LCD can be held & reversed
- * Stainless steel beam. Chrome plating on the surface, laser lettering
- * Resolution: 0.05°
- * It can be used for angle, width, depth, horizontal vertical measurement, and scribing, etc
- * Accuracy: 0.3°



PD312

- * 相对式容栅测量系统
- * 任意位置置零
- * 测量范围0-360°
- * 紧固螺钉可靠定位测量角度
- * LCD示值可翻转阅读
- * 精度: 0.3°

- * Incremental capacitive measurement system
- * ZERO set at any position
- * Measuring range 0-360°
- * Lock screw locks the measuring angle securely in any position
- * Reverse reading for all of condition
- * Accuracy: 0.3°





TG710



TG730



TG710M

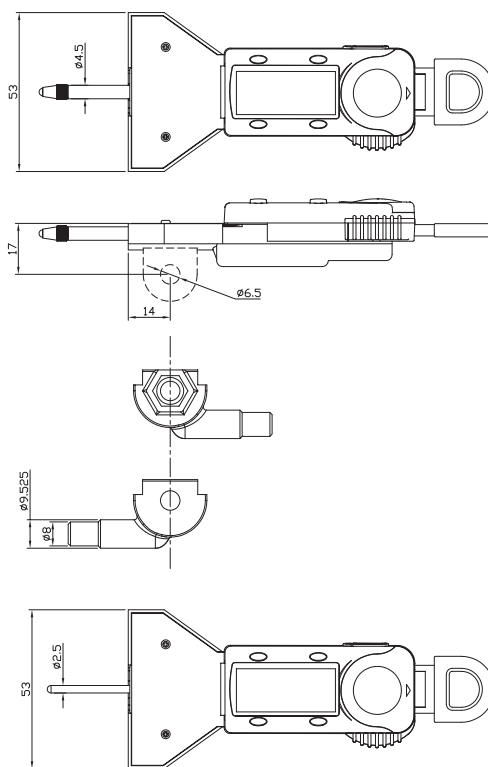


TG730M



- * 相对式容栅测量系统
- * 玻璃定栅
- * IP54防护等级
- * 3V锂电池CR2032, 电池寿命>1年
- * 可测深度
- * 弹簧自动复位, 方便测量
- * 测杆可换, 测量范围可达0-150mm/0-6"

- * Incremental capacitive measurement system
- * Glass scale
- * IP54 Protection grade
- * 3V Lithium battery CR2032, battery life > 1 year
- * Can measure the dimension of depth
- * Spring loaded travel for easy measuring
- * Changeable measuring bar, measuring range: 0-150mm/0-6"

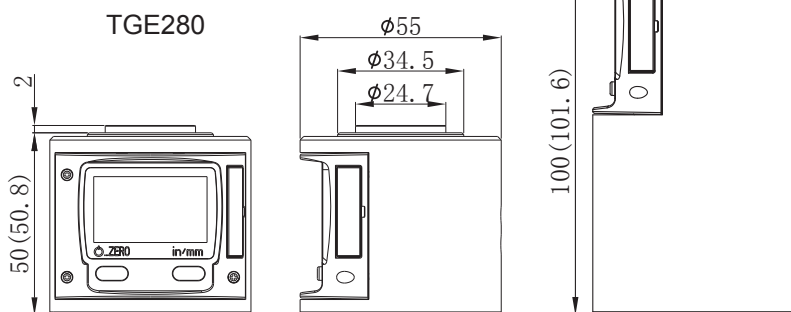


货号 Item	规格 SPEC	分辨率 Resolution	精度(公差带) Accuracy(Tolerance Range)
TG710-25	0-25mm/0-1"	0.01mm/0.0005"	0.03mm/0.0015"
TG730-25	0-25mm/0-1"	0.01mm/0.0005"	0.03mm/0.0015"
TG710M-25	0-25mm/0-1"	0.01mm/0.0005"	0.03mm/0.0015"
TG730M-25	0-25mm/0-1"	0.01mm/0.0005"/1/128"	0.03mm/0.0015"

Digital Height Presetter



IP65



- * 电感测量系统
- * IP65防护等级
- * 3V锂电池CR2032, 电池寿命>1年
- * “0”位灯光提示
- * 测头行程约2.5mm
- * 自动唤醒: 关机状态下, 移动测头会自动开机

- * Inductive measurement system
- * IP65 protection grade
- * 3V lithium battery CR2032, battery life > 1 year
- * Light indicating when LCD display “0.000”
- * Range:0-2.5mm
- * Power on automatically when the measuring surface moving

货号 Item	规格 SPEC	分辨率 Resolution	精度(公差带) Accuracy(Tolerance Range)	重复性 Repeatability
TGE280-50	<2.5mm/<0.1”	0.001mm/0.00005”	0.008mm/0.0003”	0.003mm/0.0001”
TGE280-100	<2.5mm/<0.1”	0.001mm/0.00005”	0.010mm/0.0004”	0.003mm/0.0001”

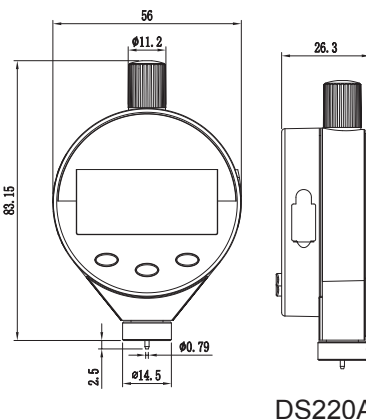


DS220A
DS220D

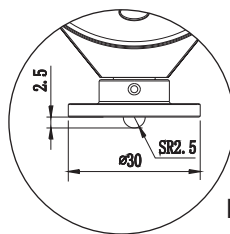
邵氏硬度计 Shore Durometer

- * 相对式容栅测量系统
- * 3V锂电池CR2032, 电池寿命>1年
- * SPC数据输出

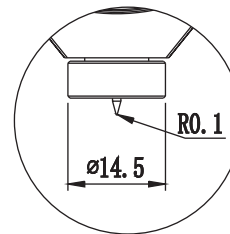
- * Incremental capacitive measurement system
- * 3V lithium battery CR2032, battery life > 1 year
- * SPC data output



DS220A



DS220C



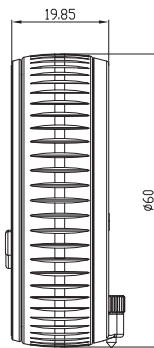
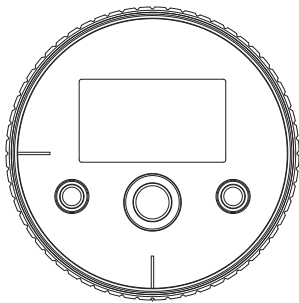
DS220D

货号 Item	规格 SPEC	分辨率 Resolution	精度(公差带) Accuracy(Tolerance Range)
DS220A	0-100HA	0.5HA	2HA
DS220C	0-100HA	0.5HA	2HA
DS220D	0-100HD	0.5HD	2HD

Digital Tape 、 Digital π Tape



DT100

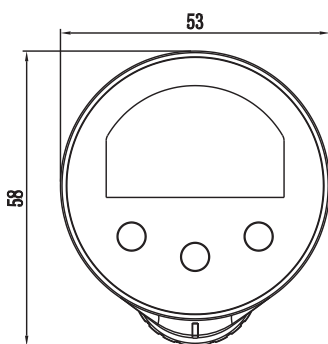


- * 容栅相对测量系统
- * 3V锂电池CR2032, 电池寿命>1年
- * 低电压报警: 显示“”符号
- * 划线针: 有(隐藏式划线针)
- * 测量范围: 0~10m/0~32.8ft
- * 分辨率: 0.001m/0.01ft
- * 示值精度: (+/-0.1%)m, L: 量程
- * 可用于测量: 直线、非直线; 平面、非平面; 单边角落、双边角落; 划线等
- * 四种测量模式: 线性长度测量模式, 矩形面积测量模式, 体积测量模式, 圆直径测量模式

- * Incremental capacitive measurement system
- * 3V lithium battery CR2032, battery life > 1 year
- * Low-volt warnig:display ""
- * Sketch pin : Yes (hidden type)
- * Measurement range: 0-10m/0-32.8ft
- * Resolution: 0.001mm/0.01ft
- * Reading accuracy: (+/-0.1%)m, L:range
- * Can measure: Linear, non-linear, surface, non-surface, onese corner, two-side corner, sketch
- * Four measurement mode: linear, rectangle area, cube and diameter of circle



DT110



- * 容栅相对测量系统
- * TYPE-C充电接口
- * 低电压报警: 显示“”符号
- * 测量、充电过程中呼吸灯提示
- * 测量范围: 0~10m/0~32.8ft
- * 分辨率: 0.001m/1/16"/0.005ft
- * 示值精度: +/-L*0.5%m, L: 量程
- * 可用于测量: 直线、非直线; 平面、非平面; 单边角落、双边角落; 直径等
- * 四种测量模式: 线性长度测量模式, 矩形面积测量模式, 体积测量模式, 圆直径测量模式

- * Incremental capacitive measurement system
- * TYPE-C charging interface
- * Low-volt warnig:display ""
- * Breathing light prompt during measurement and charging
- * Measurement range: 0-10m/0-32.8ft
- * Resolution: 0.001mm/1/16"/0.005ft
- * Reading accuracy: +/-L*0.5%m, L: range
- * Can measure: Linear, non-linear, surface, non-surface, onese corner, two-side corner, diameter
- * Four measurement mode: linear, rectangle area, cube and diameter of circle

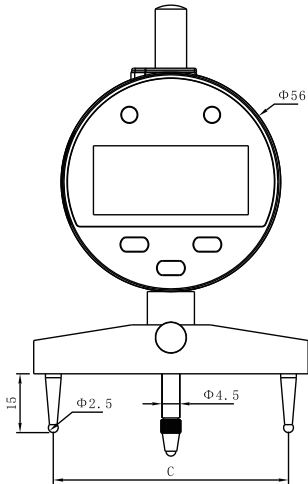
L

Digital Indicator for Outside or Inside Radius Measurement



IP65

RDE111-1000
RDE111-3000



- * 电感测量系统
- * IP65防护等级
- * 3V锂电池CR2032, 电池寿命>1年
- * 带SPC数据输出(仅针对测杆位移数值输出)
- * 可设置公差, 并进行GO/NG判定
- * 分辨率: R值0.01mm/0.0005"
指示表0.001mm/0.00005"
- * 示值精度: R值=+/-R(示值)*1%
- * 指示表测力:<1.5N

- * Inductive measurement system
- * Protection grade IP65
- * 3V Lithium battery CR2032, battery life > 1 year
- * SPC data output()
- * Tolerance preset and GO/NG judgement
- * Resolution: R=0.01mm/0.0005"
Indicator=0.001mm/0.00005"
- * Accuracy: R=+/-R(display)*1%
- * Dynamometry < 1.5N



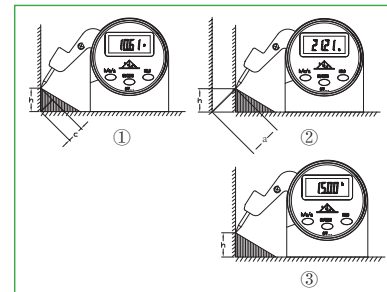
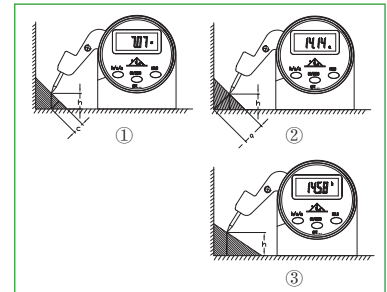
最佳测量范围

	外R	内R
C=10	R5~R11	R6.5~R13
C=20	R10~R30	R12.5~R30
C=30	R25~R100	R25~R100
C=60	R95~R260	R95~R260
C=100	R255~R1000	R255~R1000
C=200	R900~R3000	R900~R3000

数显焊缝规 Digital Welding Seam Gauges



TD230K



- * 相对式容栅测量系统
- * 3V锂电池CR2032
- * 示值锁定
- * 不锈钢底座, 锌合金尺架
- * 快速测量焊缝高度、厚度尺寸
- * 测量范围: 0-25mm

- * Incremental capacitive measurement system
- * 3V lithium battery CR2032
- * Display value lock
- * Stainless steel base ; zinc alloy frame
- * Measuring the height and thickness of weld seam quickly
- * Range: 0-25mm